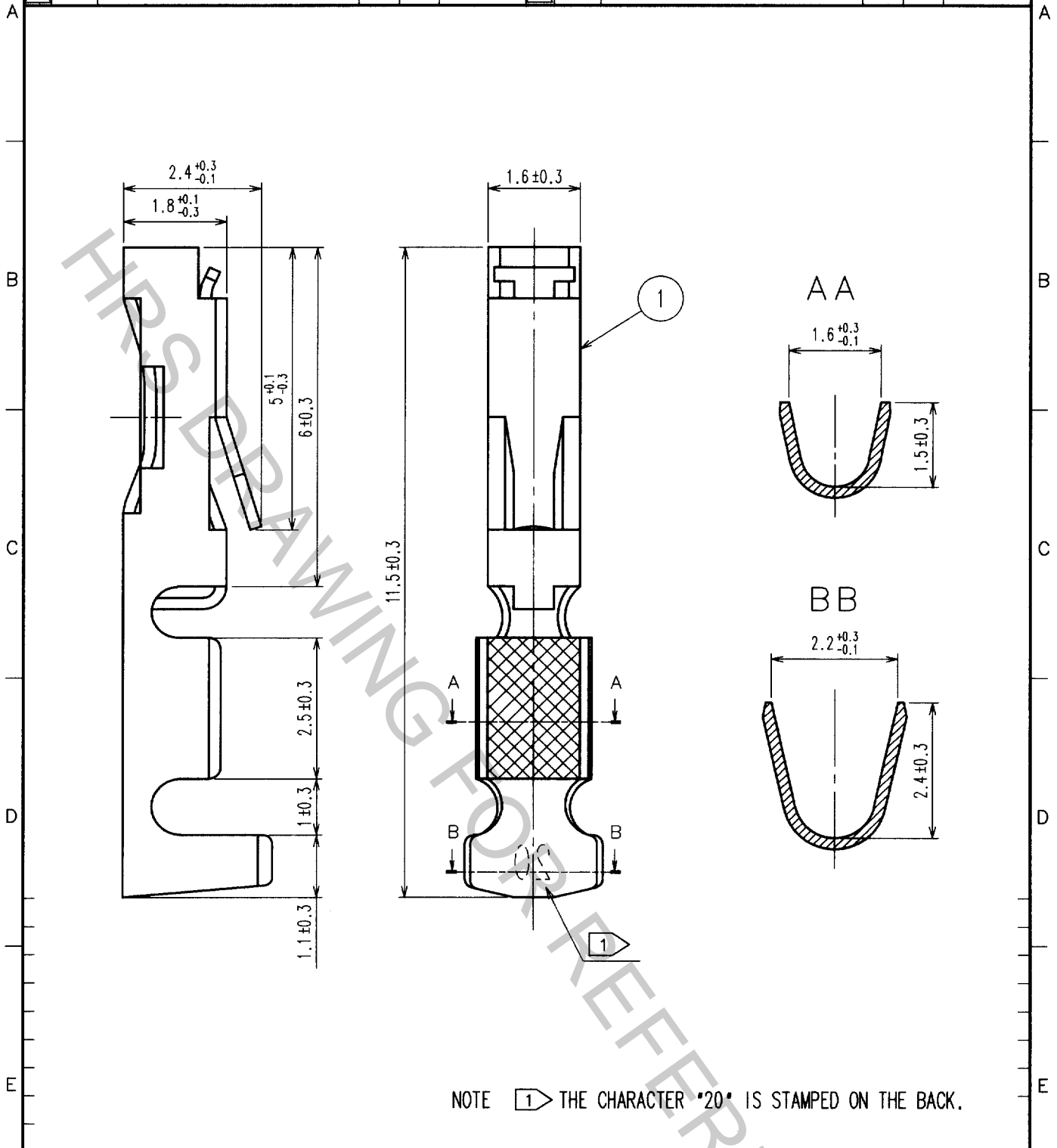


Oct.1.2018 Copyright 2018 HIROSE ELECTRIC CO., LTD. All Rights Reserved.
 In case that the application demands a high level of reliability, such as automotive,
 please contact a company representative for further information.

1			2			3			4		
COUNT	DESCRIPTION OF REVISIONS	BY	CHKD	DATE	COUNT	DESCRIPTION OF REVISIONS	BY	CHKD	DATE		
△					△						
△					△						
△					△						



1	PHOSPHOR BRONZE	GOLD PLATED (0.2μ m) OVER NICKEL			
NO.	MATERIAL	FINISH, REMARKS	NO.	MATERIAL	FINISH, REMARKS
CODE NO. (OLD)	CL		DRAWN	DESIGNED	CHECKED
			K. SHIBUYA	K. Shibuya	H. Okawa
			02.08.06	02.08.06	02.08.06
					APPROVED
					J. Yoshimura
					02.08.06
					RELEASED
DRAWING NO. EDC4-016406			PART NO. HIF3-2022SC		
CODE NO. CL562-0492-4			1/1		

TO
PCK

SACLE 10 : 1

HIROSE ELECTRIC CO., LTD.