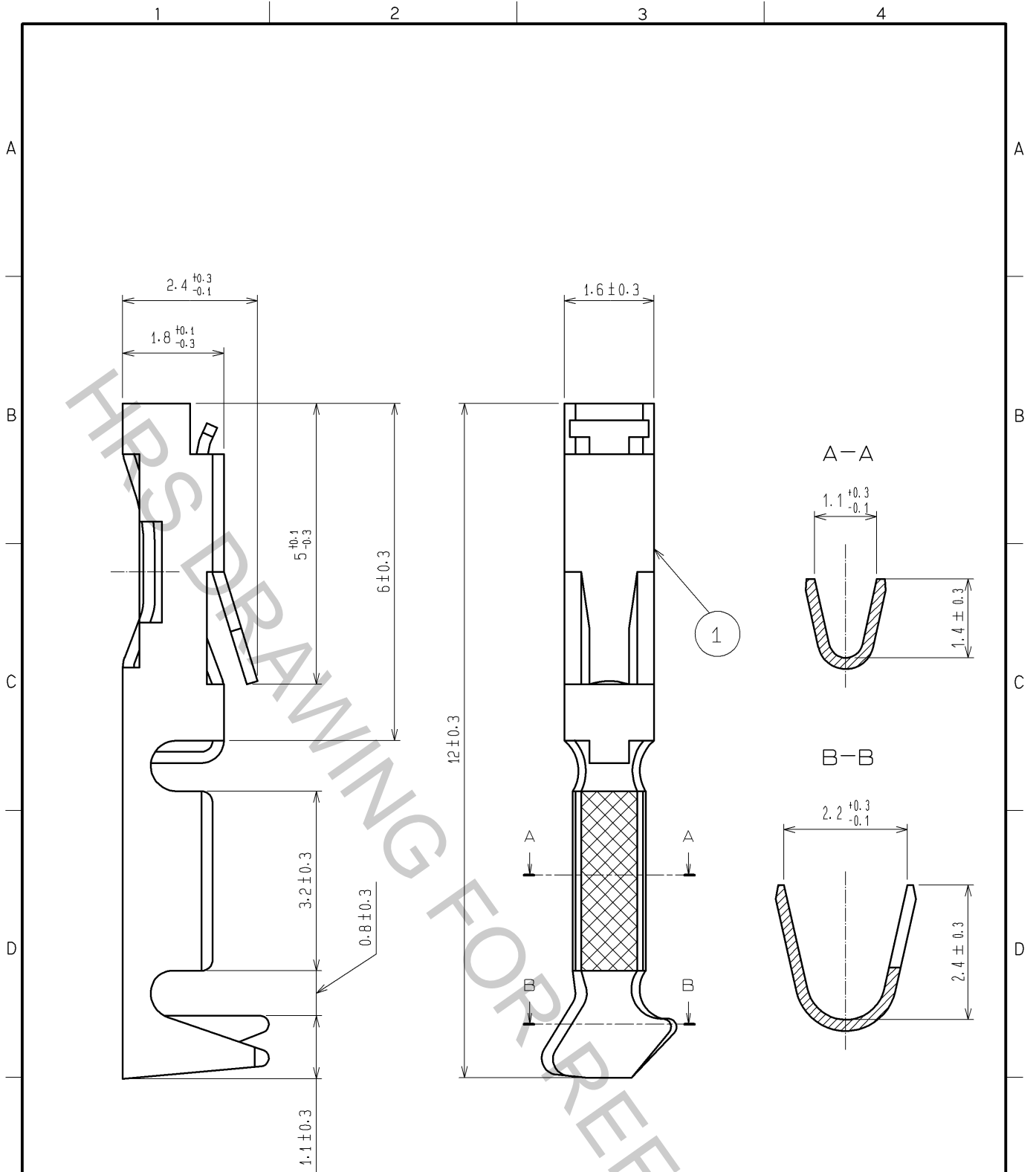


Oct.1.2018 Copyright 2018 HIROSE ELECTRIC CO., LTD. All Rights Reserved.
 In case that the application demands a high level of reliability, such as automotive,
 please contact a company representative for further information.



1	PHOSPHOR BRONZE	CONTACT AREA : GOLD 0.2 μ m min.
		UNDER PLATING : NICKEL 1.5 μ m min.
NO.	MATERIAL	FINISH , REMARKS

UNITS mm		SCALE 10 : 1	COUNT 	DESCRIPTION OF REVISIONS	DESIGNED	CHECKED	DATE
HIROSE ELECTRIC CO., LTD.		APPROVED : HS. OKAWA 12. 12. 20	DRAWING NO. EDC4-016842-02				
		CHECKED : HT. YAMAGUCHI 12. 12. 20	PART NO. HIF3-2226SCA				
		DESIGNED : KJ. NISHIWAKI 12. 12. 19	CODE NO. CL562-0244-2-00				
		DRAWN : CR. TAKESHIMA 12. 12. 19		1/1			