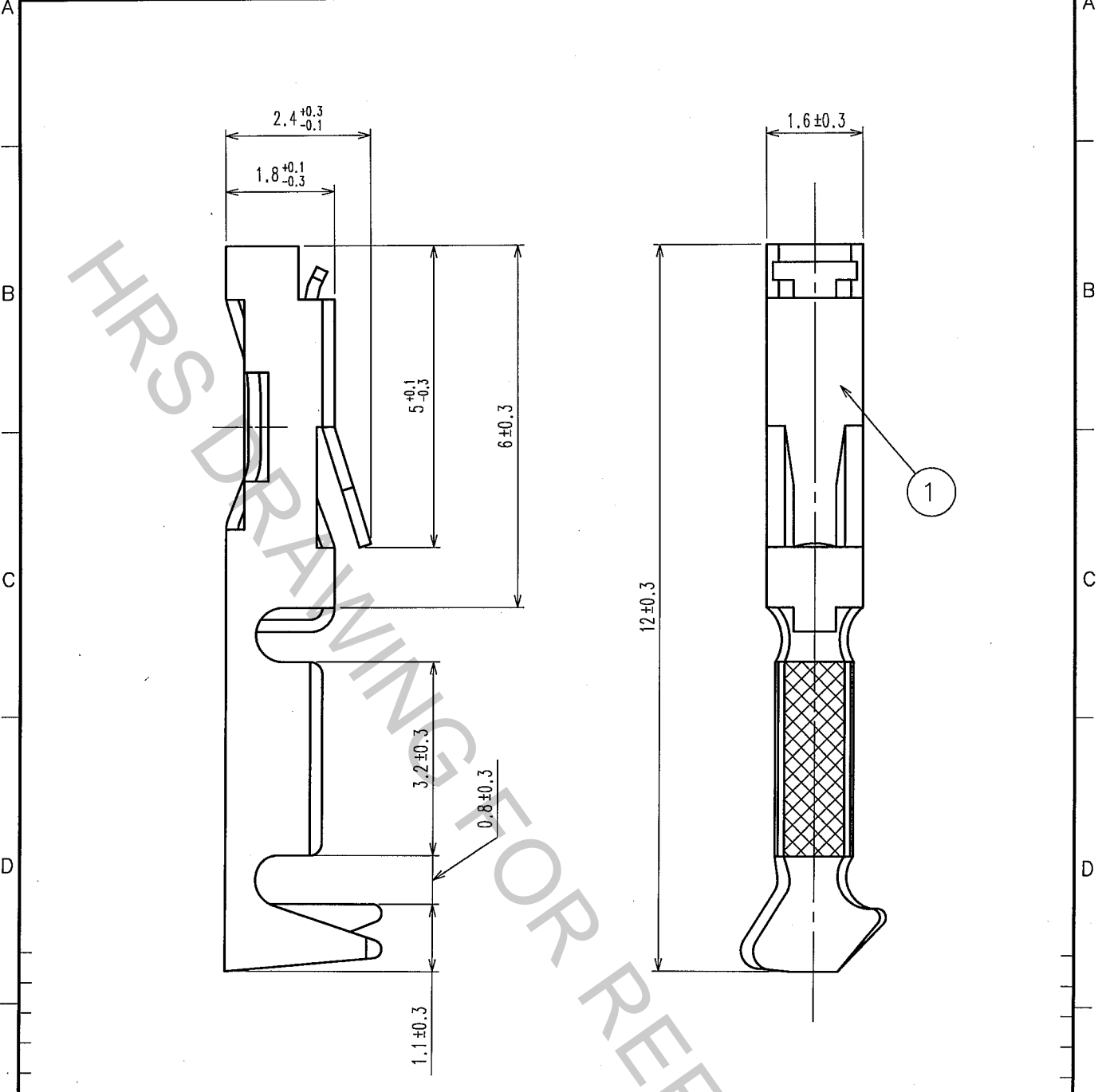


Oct.1.2018 Copyright 2018 HIROSE ELECTRIC CO., LTD. All Rights Reserved.  
 In case that the application demands a high level of reliability, such as automotive,  
 please contact a company representative for further information.

1	2	3	4						
COUNT	DESCRIPTION OF REVISIONS	BY	CHKD	DATE	COUNT	DESCRIPTION OF REVISIONS	BY	CHKD	DATE
△					△				
△					△				
△					△				



NOTE 1 THE DIMENSIONS IN PARENTHESES ARE FOR REFERENCE.

NO.	MATERIAL	FINISH, REMARKS	NO.	MATERIAL	FINISH, REMARKS
1	PHOSPHOR BRONZE			CONTACT AREA: GOLD 0.2μ m min. UNDER PLATING: NICKEL 1μ m min.	

CODE NO. (OLD) CL	DRAWN A. SUZUKAWA '06.05.26	DESIGNED d. Nakamura '06.05.29	CHECKED d. Ogyawa '06.05.30	APPROVED H. Okawa '06.05.30	RELEASED
----------------------	-----------------------------------	--------------------------------------	-----------------------------------	-----------------------------------	----------

TO  
PCK

DRAWING NO. EDC4-016840	PART NO. HIF3-2428SCA
SCALE 10 : 1	CODE NO. CL562-0246-8
UNITS mm	
<b>HRS</b> HIROSE ELECTRIC CO., LTD.	1/1