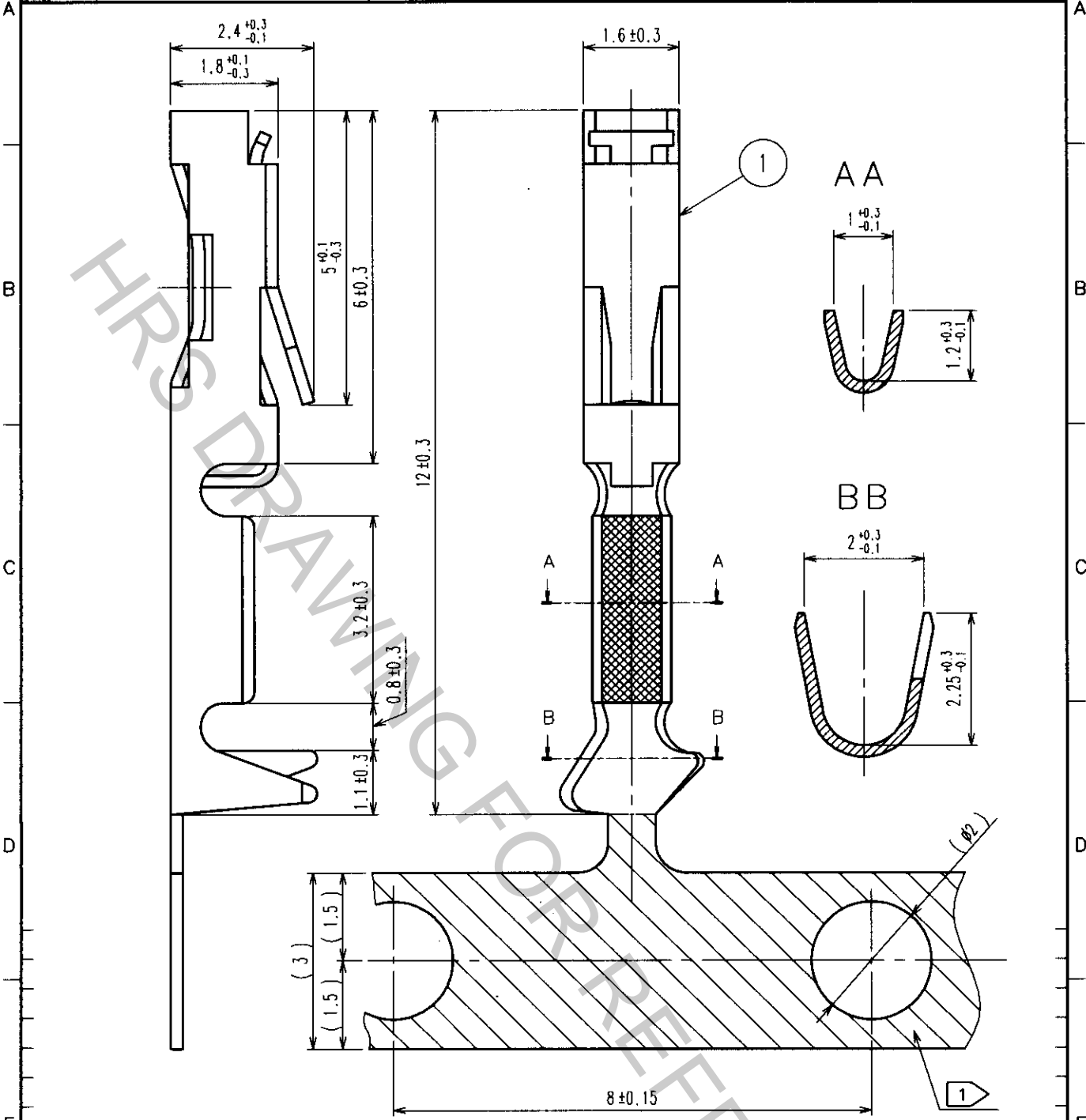


Oct.1.2018 Copyright 2018 HIROSE ELECTRIC CO., LTD. All Rights Reserved.
 In case that the application demands a high level of reliability, such as automotive,
 please contact a company representative for further information.

1					2					3					4				
COUNT	DESCRIPTION OF REVISIONS				BY	CHKD	DATE	COUNT	DESCRIPTION OF REVISIONS				BY	CHKD	DATE				
△								△											
△								△											
△								△											



NOTE 1 AREA: NICKEL FINISHING

1	PHOSPHOR BRONZE	CONTACT AREA: GOLD PLATED (0.2μm) OVER NICKEL OTHERS: GOLD PLATED (FLASH) OVER NICKEL			
NO.	MATERIAL	FINISH, REMARKS	NO.	MATERIAL	FINISH, REMARKS

CODE NO. (OLD) CL	DRAWN K. Kirinaga 01.05.14	DESIGNED H. Yamaguchi 01.05.14	CHECKED H. Okawa 01.05.14	APPROVED Z. Yoshimura 01.05.15	RELEASED
----------------------	----------------------------------	--------------------------------------	---------------------------------	--------------------------------------	----------

 SACLE 10 : 1 UNITS mm	DRAWING NO. EDC4-016416	PART NO. HIF3-2428SCF
	 HIROSE ELECTRIC CO., LTD.	CODE NO. CL562-0125-3

TO
PCK

1
1

