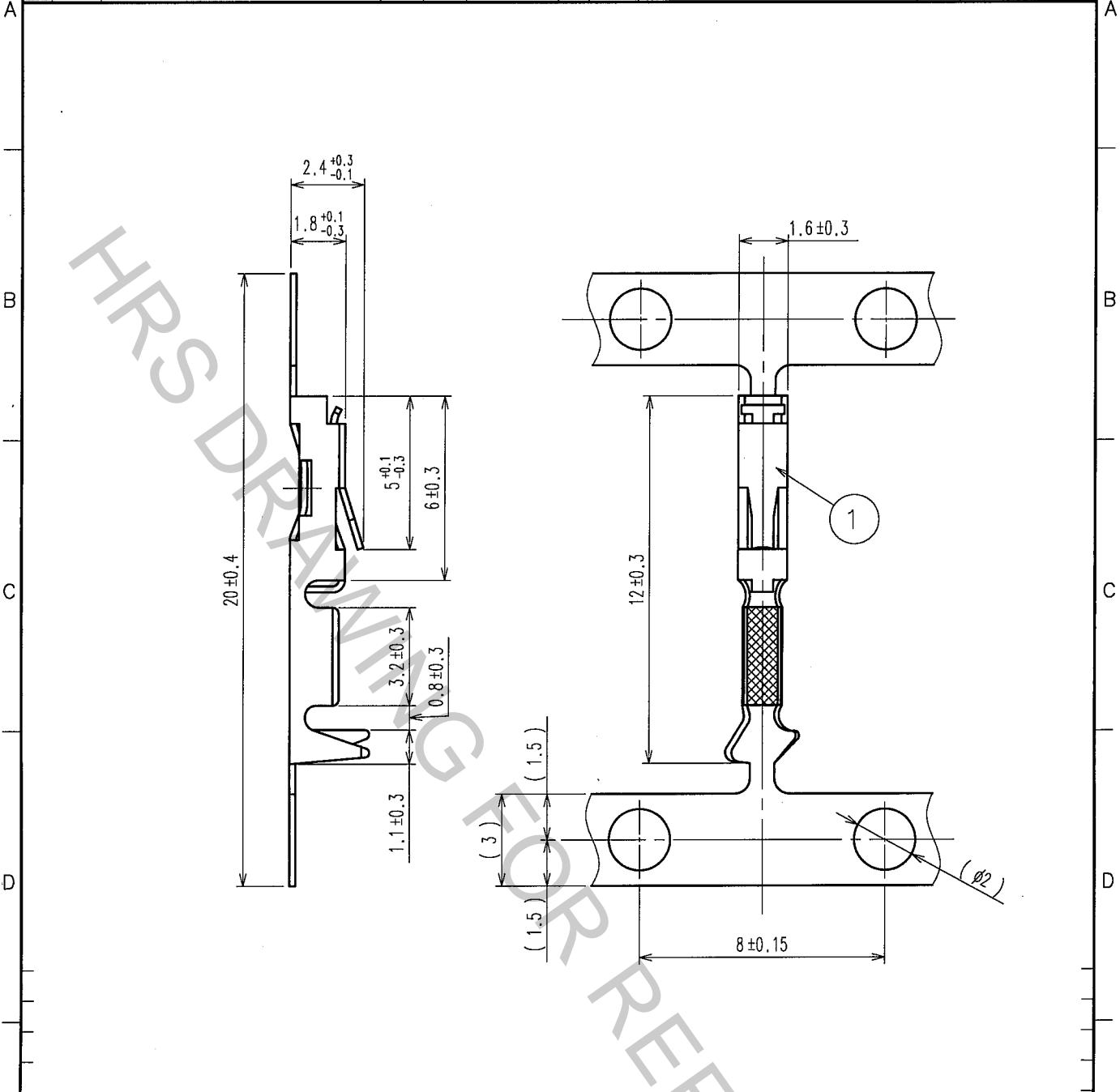


Oct.1.2018 Copyright 2018 HIROSE ELECTRIC CO., LTD. All Rights Reserved.
 In case that the application demands a high level of reliability, such as automotive,
 please contact a company representative for further information.

| 1 | | 2 | | | 3 | | | 4 | | |
|-------|--------------------------|----|------|------|-------|--------------------------|----|------|------|--|
| COUNT | DESCRIPTION OF REVISIONS | BY | CHKD | DATE | COUNT | DESCRIPTION OF REVISIONS | BY | CHKD | DATE | |
| △ | | | | .. | △ | | | | .. | |
| △ | | | | | △ | | | | .. | |
| △ | | | | | △ | | | | .. | |



NOTE 1 THE DIMENSIONS IN PARENTHESES ARE FOR REFERENCE.

| 1 | PHOSPHOR BRONZE | CONTACT AREA:GOLD 0.2μ m min. UNDER PLATING:NICKEL 1μ m min. |
|-----|-----------------|-----------------------------------------------------------------|
| NO. | MATERIAL | FINISH, REMARKS |

| | | | | | |
|----------------------|-----------------------------------|---------------------------------------------|---------------------------------------------|------------------------------------------|----------|
| CODE NO. (OLD) CL | DRAWN A. SUZUKAWA '06.04.12 | DESIGNED <i>H. Nakamura</i> '06.04.17 | CHECKED <i>K. Ogasawara</i> '06.04.17 | APPROVED <i>H. Okawa</i> '06.04.17 | RELEASED |
|----------------------|-----------------------------------|---------------------------------------------|---------------------------------------------|------------------------------------------|----------|

| | |
|--------------------------------------|---------------------------|
| DRAWING NO. EDC4-016841 | PART NO. HIF3-2428SCFA |
| UNITS mm | CODE NO. CL562-0247-0 |
| HRS HIROSE ELECTRIC CO., LTD. | |

| |
|-----|
| TO |
| PCK |
| |
| |