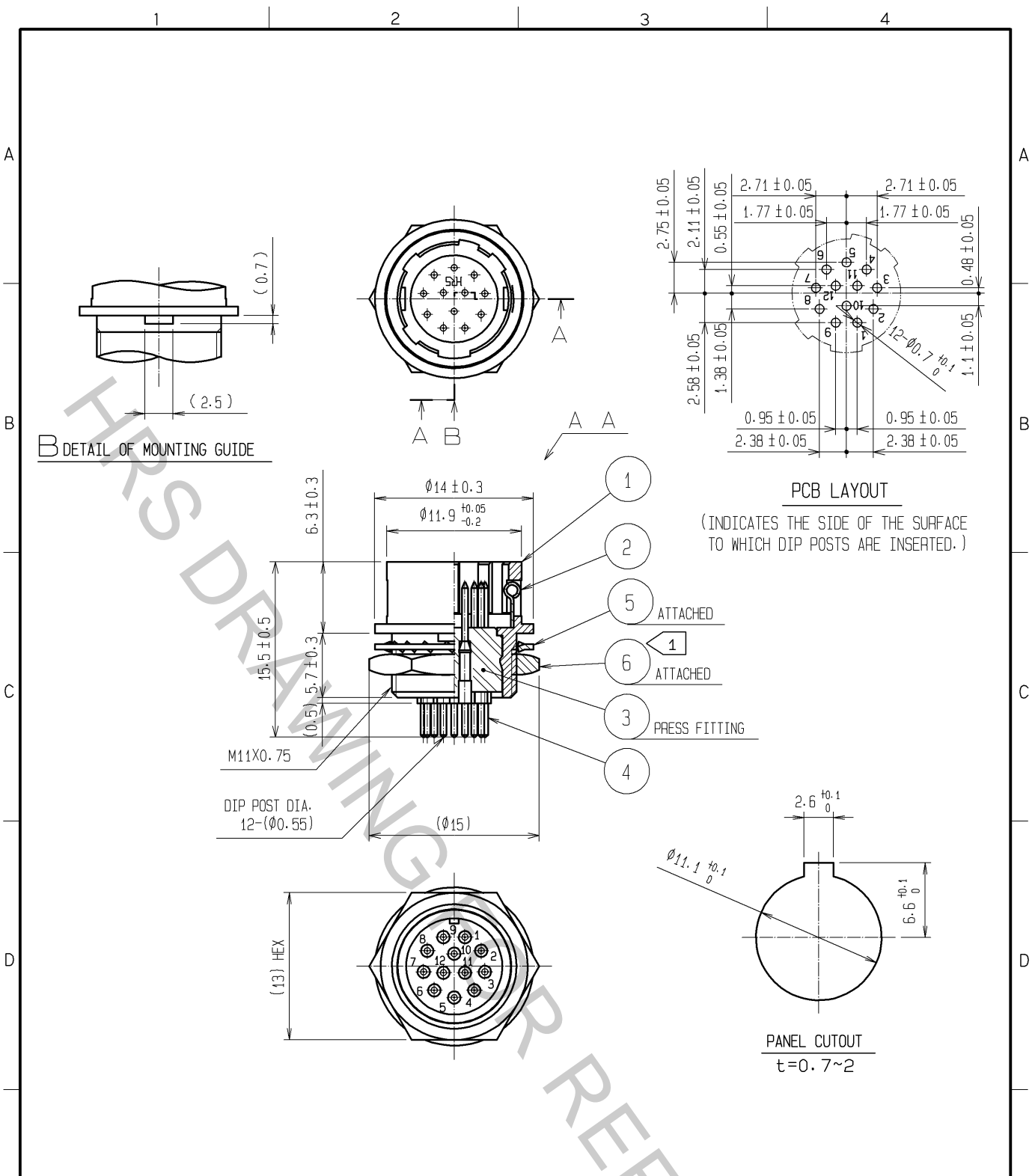


Oct.1.2018 Copyright 2018 HIROSE ELECTRIC CO., LTD. All Rights Reserved.
 In case that the application demands a high level of reliability, such as automotive,
 please contact a company representative for further information.



NOTE ① THE RECOMMENDED CLAMP TORQUE OF REF. NO. ⑥ TO BE 2 N·m.
 LOCTITE 242, HENKEL JAPAN OR EQUIVALENT IS RECOMMENDED TO
 PREVENT REF. NO. ⑥ FROM LOOSENING.

3	POLYAMIDE	(BLACK) UL94V-0	6	BRASS	NICKEL PLATING
2	STAINLESS STEEL		5	PHOSPHOR BRONZE	NICKEL PLATING
1	ZINC ALLOY	MATTE FINISH NICKEL PLATED	4	BRASS	GOLD PLATING 0.2µm min. NICKEL UNDER PLATING 2µm min.
NO.	MATERIAL	FINISH . REMARKS	NO.	MATERIAL	FINISH . REMARKS

UNITS mm		SCALE 2 : 1	COUNT 1	DESCRIPTION OF REVISIONS DIS-C-001539	DESIGNED WR. AJIRO	CHECKED HY. KISHI	DATE 09.12.22
HIROSE ELECTRIC CO., LTD.				APPROVED : MO. SATOH 05.10.20 CHECKED : EJ. KUNII 05.10.20 DESIGNED : DS. MATSUNE 05.10.19 DRAWN : DS. MATSUNE 05.10.19	DRAWING NO. EDC4-009659-73 PART NO. HR10-10R-12PA(73) CODE NO. CL110-0055-8-73		