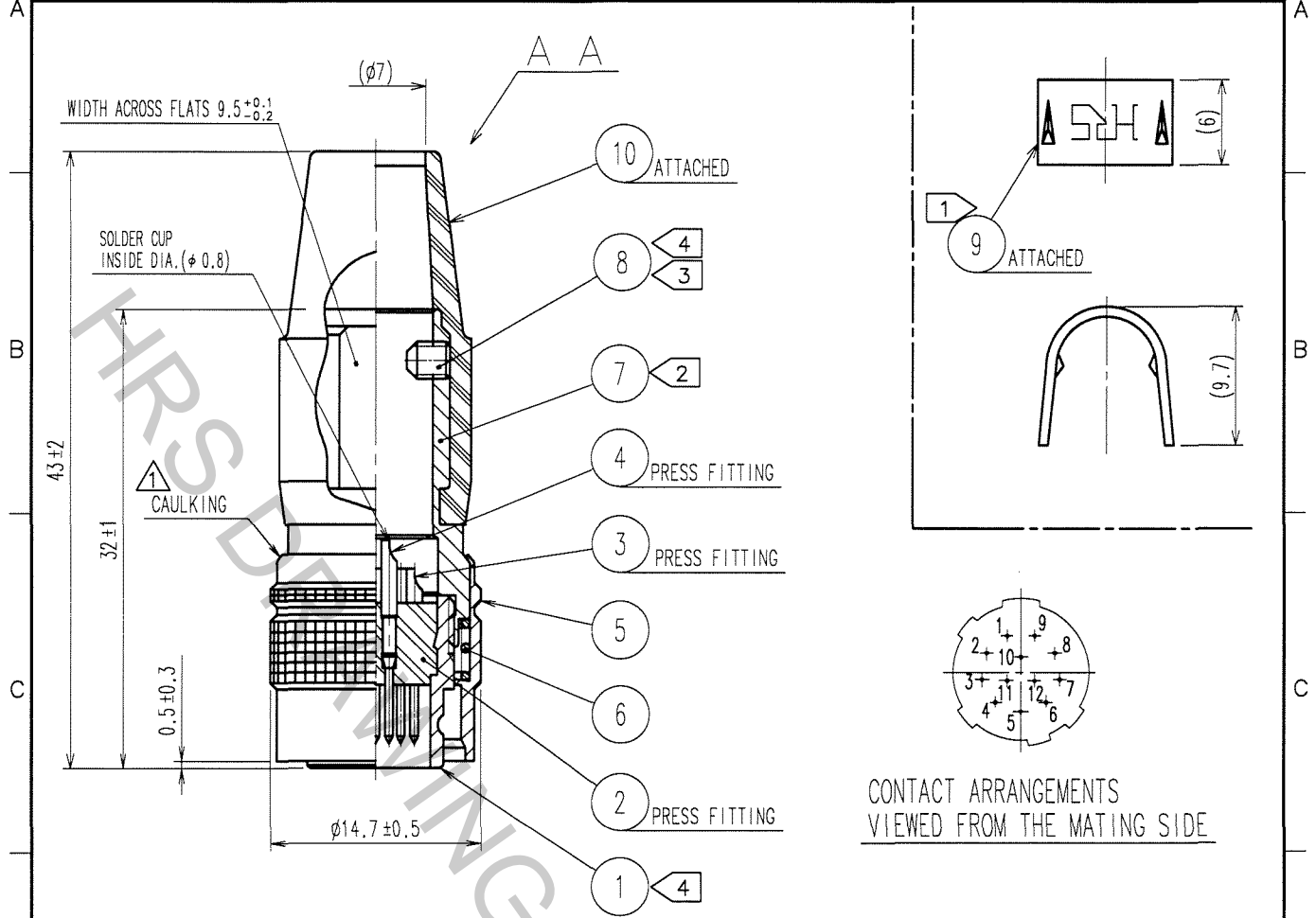


Oct.1.2018 Copyright 2018 HIROSE ELECTRIC CO., LTD. All Rights Reserved.  
In case that the application demands a high level of reliability, such as automotive, please contact a company representative for further information.

1		2			3			4		
COUNT	DESCRIPTION OF REVISIONS	BY	CHKD	DATE	COUNT	DESCRIPTION OF REVISIONS	BY	CHKD	DATE	
1	DIS-C-000409	D.M	M.S	06.12.19						



NOTE ① HAND CRIMPING TOOL, REF. NO. ⑨ : HR10A-TC-02, APPLY TO φ 7.  
 ② THE RECOMMENDED CLAMP TORQUE, REF. NO. ⑦ : 2-2.5 N · m.  
 ③ ACROSS FLATS HEXAGON HEAD OF REF. NO. ⑧ : 1.27 THE RECOMMENDED CLAMP TORQUE, REF. NO. ⑧ : 0.3-0.4N · m.  
 ④ LOCTITE 242, HENKEL JAPAN OR EQUIVALENT IS RECOMMENDED TO PREVENT REF. NO. ① AND ⑧ FOR LOOSENING.  
 ⑤ ONE EXAMPLE OF THE ROTATION OF REF. NO. ⑦ TO REF. NO. ① IS SHOWN.

5	BRASS	MATTE FINISH NICKEL PLATING	10	CR	(BLACK)
4	BRASS	GOLD PLATING 0.2μ m min.	9	BRASS	
3	BRASS	NICKEL UNDER PLATING 2μ m min.	8	STEEL	NICKEL PLATING JIS C 1177, HEXAGON SOCKET SET SCREW M2.6×0.45×3
2	POLYAMIDE	(BLACK) UL94V-0	7	BRASS	NICKEL PLATING
1	ZINC ALLOY	MATTE FINISH NICKEL PLATING	6	STEEL	NICKEL PLATING
NO.	MATERIAL	FINISH, REMARKS	NO.	MATERIAL	FINISH, REMARKS

CODE NO. (OLD)		DRAWN	DESIGNED	CHECKED	APPROVED	RELEASED
CL		H.KISHI	H.KISHI	E.KUNII	M.SATO	
		'05.08.31	'05.08.31	'05.09.02	'05.09.02	
DRAWING NO. EDC4-010386-74			PART NO. HR10A-10P-12P(74)			
CODE NO. <b>HRS</b> HIROSE ELECTRIC CO., LTD.			CODE NO. CL110-0401-7-74			1/1

TO
R