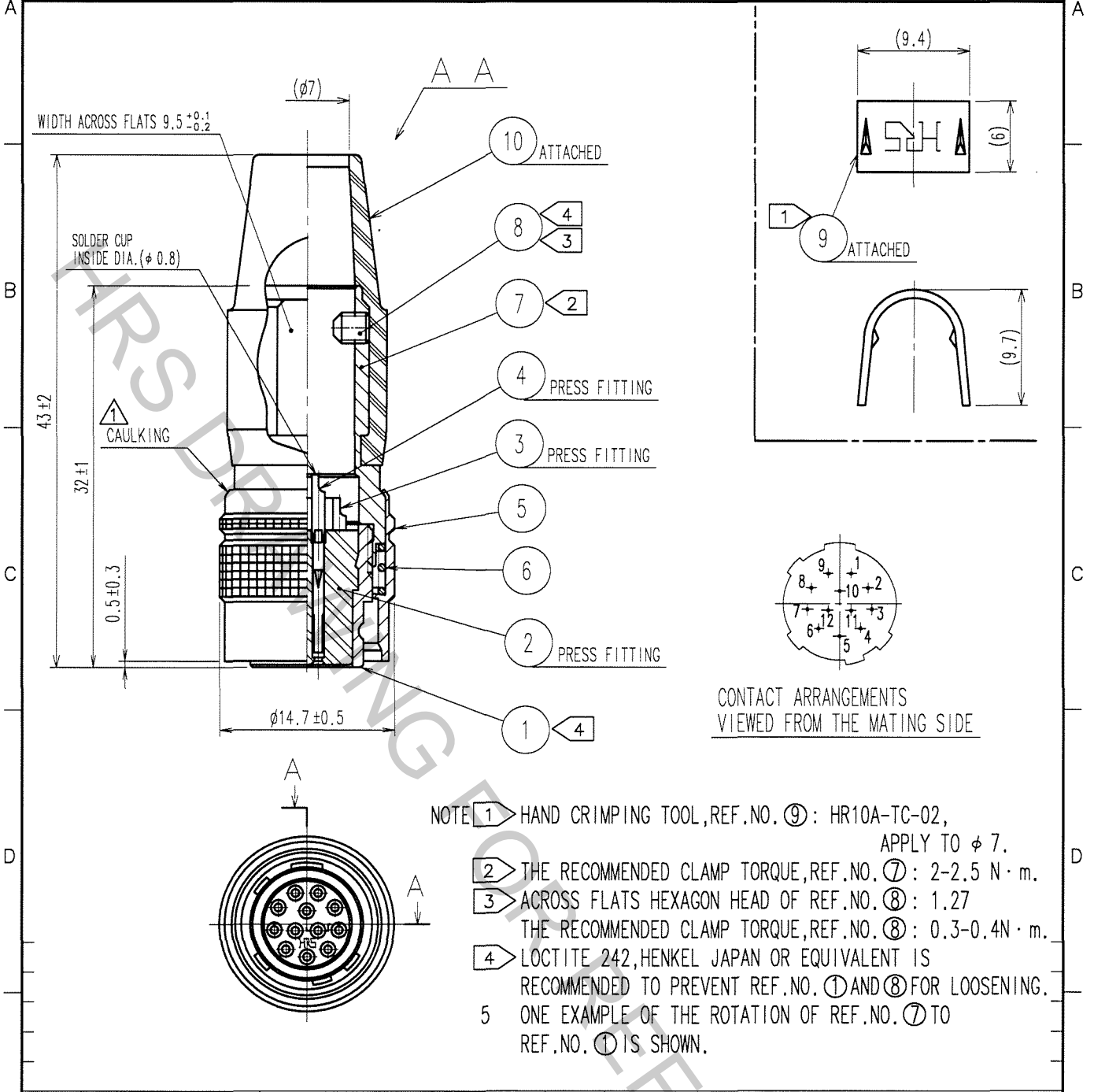


Oct.1.2018 Copyright 2018 HIROSE ELECTRIC CO., LTD. All Rights Reserved.  
 In case that the application demands a high level of reliability, such as automotive,  
 please contact a company representative for further information.

1		2			3			4		
COUNT	DESCRIPTION OF REVISIONS	BY	CHKD	DATE	COUNT	DESCRIPTION OF REVISIONS	BY	CHKD	DATE	
1	DIS-C-000409	D.M	H.S	06.12.19						



5	BRASS	MATTE FINISH NICKEL PLATING	10	CR	(BLACK)
4	PHOSPHOR BRONZE	SILVER PLATING 2μ m min.	9	BRASS	
3	PHOSPHOR BRONZE		8	STEEL	NICKEL PLATING JIS C 1177, HEXAGON SOCKET SET SCREW M2.6×0.45×3
2	POLYAMIDE	(BLACK) UL94V-0	7	BRASS	NICKEL PLATING
1	ZINC ALLOY	MATTE FINISH NICKEL PLATING	6	STEEL	NICKEL PLATING
NO.	MATERIAL	FINISH, REMARKS	NO.	MATERIAL	FINISH, REMARKS

CODE NO. (OLD) CL		DRAWN H.KISHI '05.08.31	DESIGNED H.KISHI '05.08.31	CHECKED E.KUNII '05.09.02	APPROVED M.SATO '05.09.02	RELEASED
DRAWING NO. EDC4-020552-73		PART NO. HR10A-10P-12S(73)				
SACLE 2 : 1		CODE NO. CL110-0402-0-73				1/1
UNITS mm		HRS HIROSE ELECTRIC CO., LTD.				

TO
R