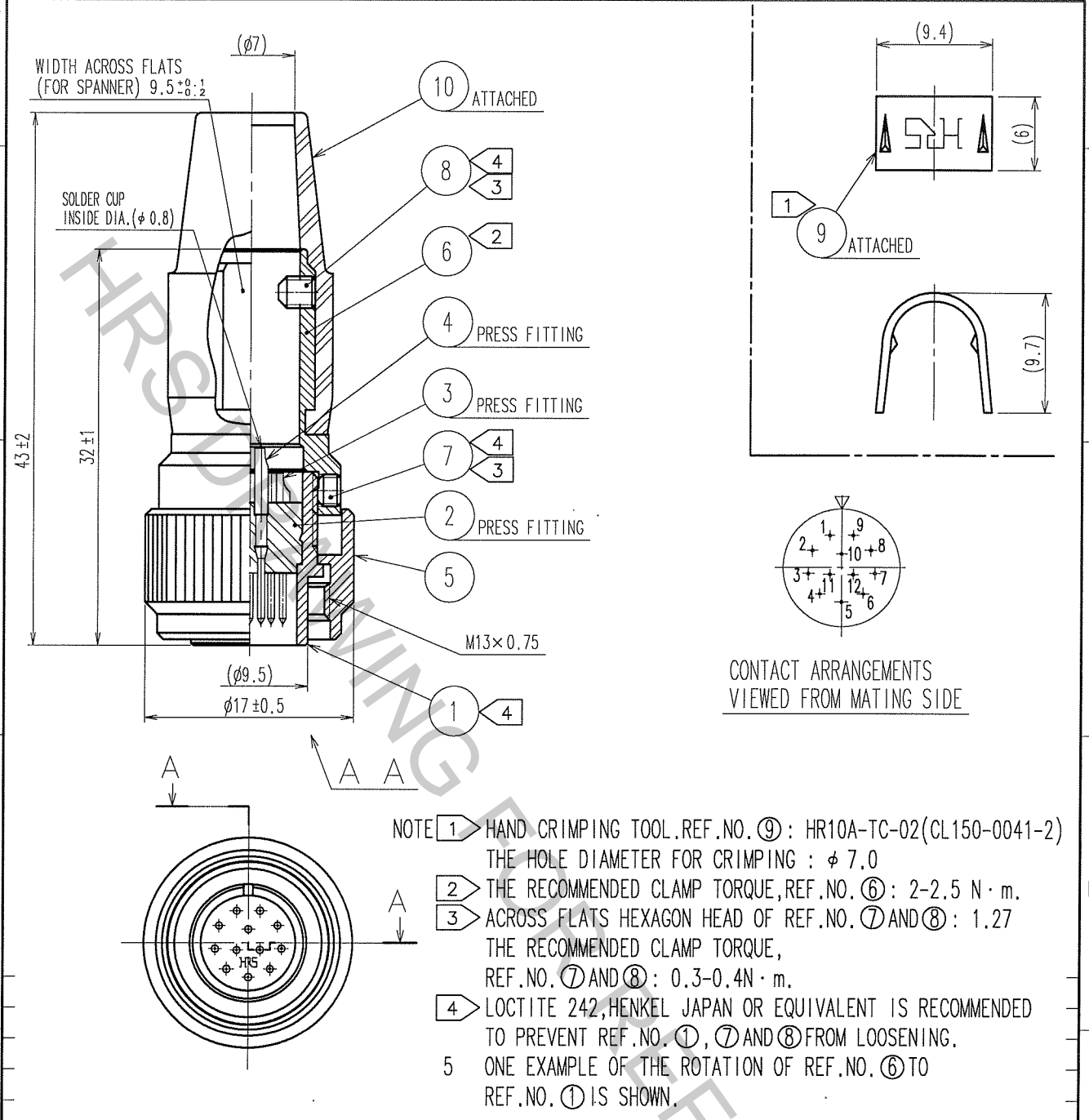


Oct.1.2018 Copyright 2018 HIROSE ELECTRIC CO., LTD. All Rights Reserved.
 In case that the application demands a high level of reliability, such as automotive,
 please contact a company representative for further information.

1					2					3					4				
COUNT	DESCRIPTION OF REVISIONS				BY	CHKD	DATE	COUNT	DESCRIPTION OF REVISIONS				BY	CHKD	DATE				
△								△											
△								△											
△								△											



5	BRASS	NICKEL PLATING	10	CR	(BLACK)
4	BRASS	SILVER PLATING $2\mu \text{m min.}$	9	BRASS	
3	BRASS		8	STEEL	NICKEL PLATING HEXAGON SOCKET SET SCREW M2.6×0.45×3
2	POLYAMIDE	(BLACK) UL94V-0	7	STEEL	NICKEL PLATING HEXAGON SOCKET SET SCREW M2.6×0.45×2
1	ZINC ALLOY	NICKEL PLATING	6	BRASS	NICKEL PLATING
NO.	MATERIAL	FINISH, REMARKS	NO.	MATERIAL	FINISH, REMARKS

CODE NO. (OLD) CL	DRAWN <i>D. Matsume</i> 05.10.01	DESIGNED <i>D. Matsume</i> 05.10.01	CHECKED <i>E. Kunii</i> 05.10.03	APPROVED <i>M. Sato</i> 05.10.14	RELEASED
DRAWING NO. EDC4-027961-73		PART NO. HR10A-10TP-12P(73)			
SACLE 2 : 1		CODE NO. CL110-0432-0-73			1/1
UNITS mm		HIROSE ELECTRIC CO., LTD.			

TO
R