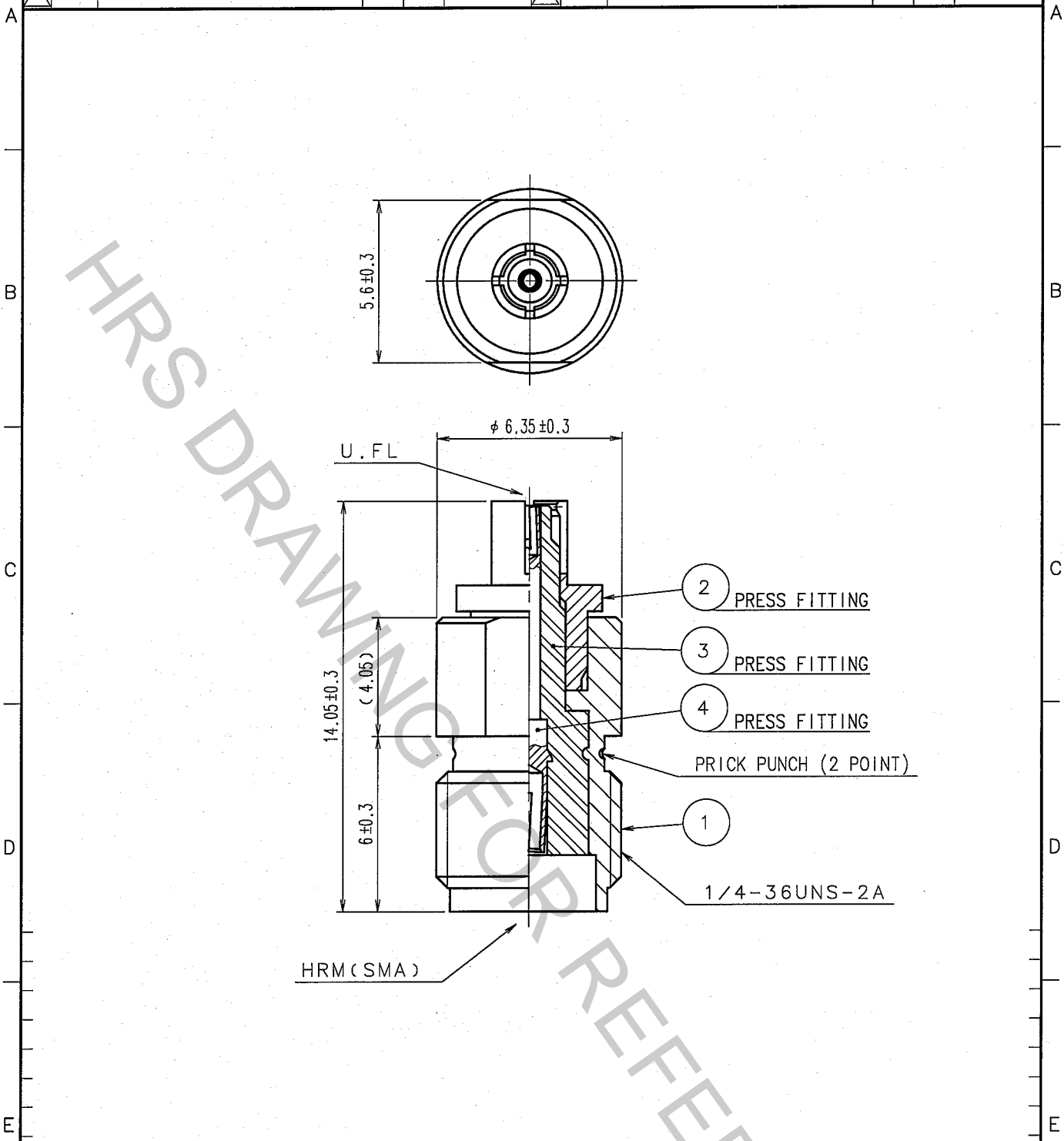


Oct.1.2018 Copyright 2018 HIROSE ELECTRIC CO., LTD. All Rights Reserved.  
 In case that the application demands a high level of reliability, such as automotive,  
 please contact a company representative for further information.

| 1     |                          | 2  |      |      | 3     |                          |    | 4    |      |  |
|-------|--------------------------|----|------|------|-------|--------------------------|----|------|------|--|
| COUNT | DESCRIPTION OF REVISIONS | BY | CHKD | DATE | COUNT | DESCRIPTION OF REVISIONS | BY | CHKD | DATE |  |
| △     |                          |    |      |      | △     |                          |    |      |      |  |
| △     |                          |    |      |      | △     |                          |    |      |      |  |
| △     |                          |    |      |      | △     |                          |    |      |      |  |



| 2   | BERYLLIUM COPPER | NICKEL PLATING  | 4   | BERYLLIUM COPPER | GOLD PLATING    |
|-----|------------------|-----------------|-----|------------------|-----------------|
| 1   | BRASS            | NICKEL PLATING  | 3   | PTFE             |                 |
| NO. | MATERIAL         | FINISH, REMARKS | NO. | MATERIAL         | FINISH, REMARKS |

|                      |                      |                         |                       |                       |           |
|----------------------|----------------------|-------------------------|-----------------------|-----------------------|-----------|
| CODE NO. (OLD)<br>CL | DRAWN<br>M. Watanabe | DESIGNED<br>M. Watanabe | CHECKED<br>H. Shimizu | APPROVED<br>I. Mitani | RELEASED  |
| RoHS COMPLIANT       |                      |                         |                       |                       |           |
|                      |                      | '05. 9. 7               | '05. 9. 7             | '05.09.09             | '05-09-12 |

|             |                               |                             |
|-------------|-------------------------------|-----------------------------|
|             | DRAWING NO.<br>EDC4-131960-40 | PART NO.<br>HRMJ-U.FLP(40)  |
|             |                               | CODE NO.<br>CL311-0301-5-40 |
| UNITS<br>mm | HIROSE ELECTRIC CO.,LTD.      | 1/1                         |

|    |
|----|
| TO |
| RF |
|    |
|    |

