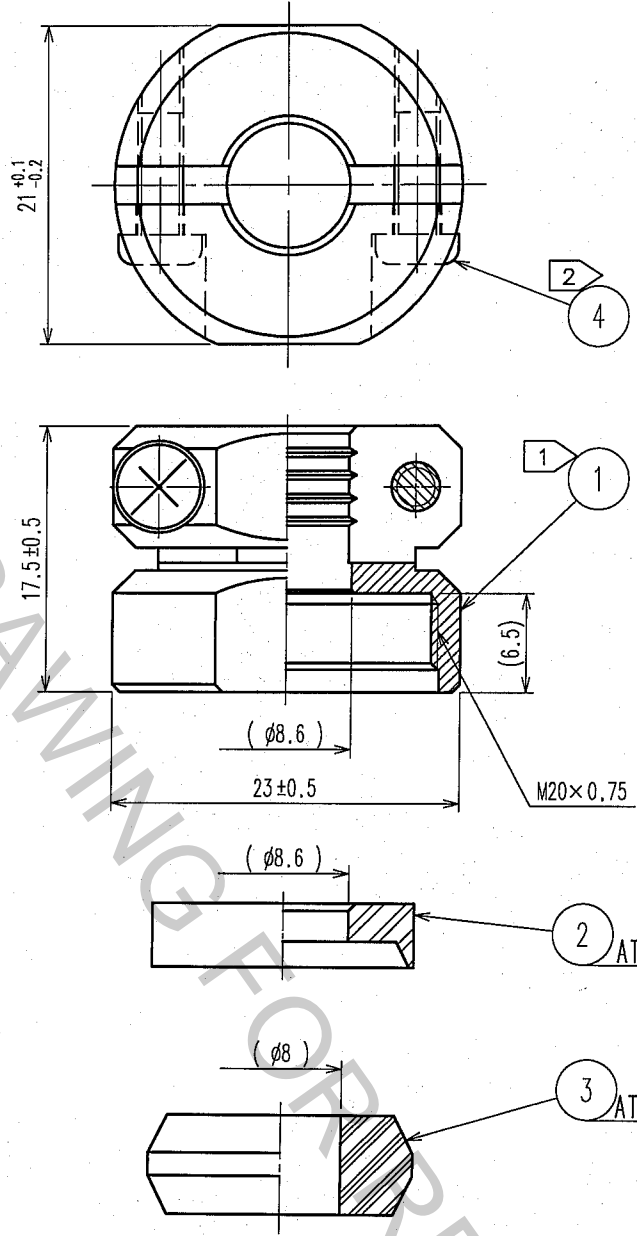


Oct.1.2018 Copyright 2018 HIROSE ELECTRIC CO., LTD. All Rights Reserved.  
 In case that the application demands a high level of reliability, such as automotive,  
 please contact a company representative for further information.

1					2					3					4				
COUNT	DESCRIPTION OF REVISIONS				BY	CHKD	DATE	COUNT	DESCRIPTION OF REVISIONS				BY	CHKD	DATE				
△								△											
△								△											
△								△											



- ① THE RECOMMENDED CLAMP TRQUE OF REF.① TO BE 3 TO 3.5 N · m  
 LOCTITE 271, HENKEL JAPAN OR EQUIVALENT IS RECOMMENDND TO PREVENT  
 REF, NO. ① FROM LOOSENING.
- ② THE RECOMMENDED CLAMP TRQUE OF REF.② TO BE 0.65 TO 0.7 N · m

2	PPS	(BLACK) UL94V-0	4	STAINLESS STEEL	M3x0.5x8
1	BRASS	BLACK CHROME PLATING	3	NBR	(GRAY)
NO.	MATERIAL	FINISH, REMARKS	NO.	MATERIAL	FINISH, REMARKS

CODE NO. (OLD)	DRAWN	DESIGNED	CHECKED	APPROVED	RELEASED
	J. Nori	M. Nagano	E. Kunii	M. Sato	
	05.12.20	05.12.20	05.12.20	05.12.21	

 SCALE 2 : 1 UNITS mm	DRAWING NO. EDC4-110602-71	PART NO. JR16WCC-8(71)
	 HIROSE ELECTRIC CO., LTD.	CODE NO. CL114-2054-1-71

TO  
R