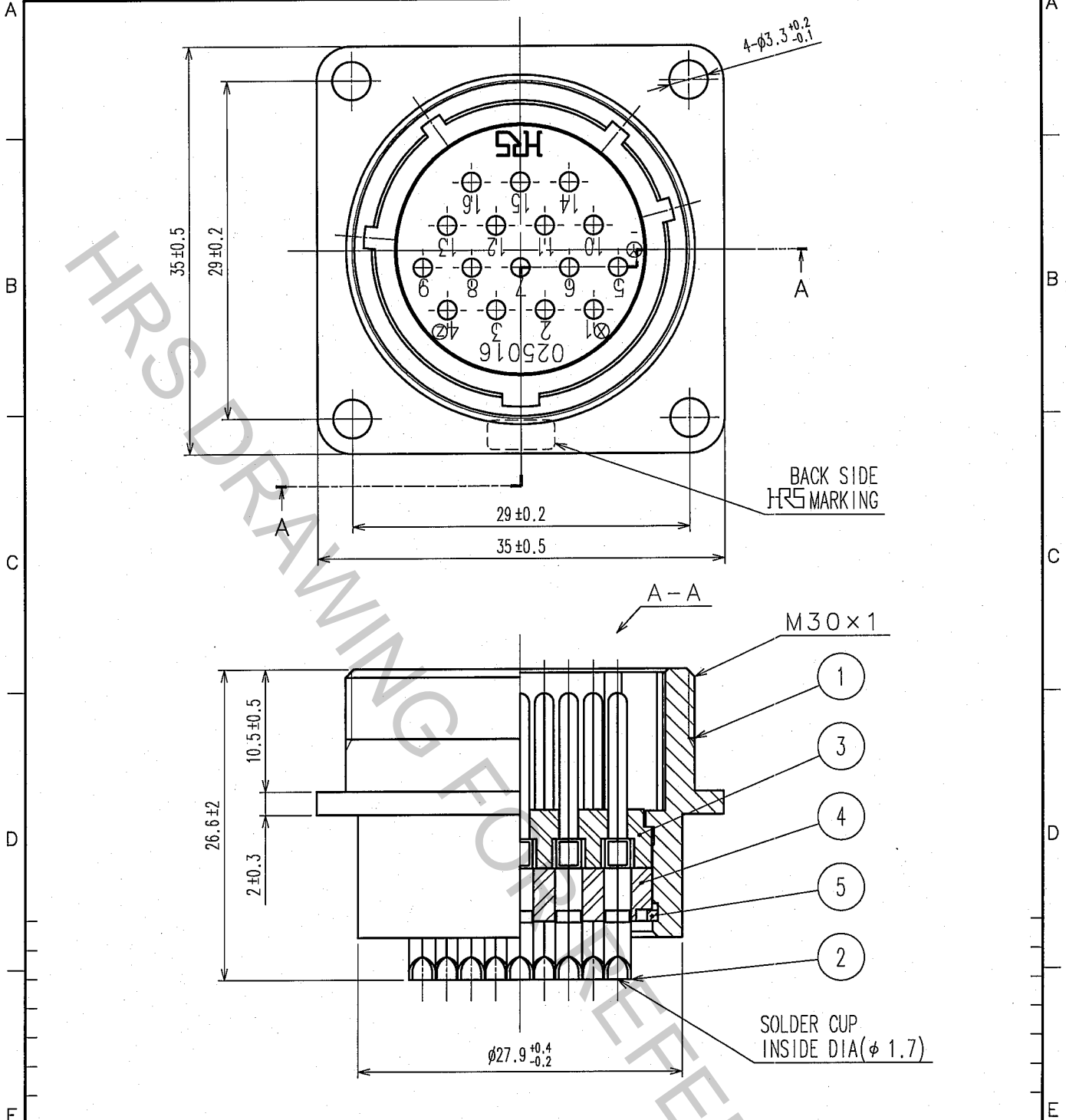


Oct.1.2018 Copyright 2018 HIROSE ELECTRIC CO., LTD. All Rights Reserved.
 In case that the application demands a high level of reliability, such as automotive,
 please contact a company representative for further information.

1					2					3					4				
COUNT	DESCRIPTION OF REVISIONS				BY	CHKD	DATE	COUNT	DESCRIPTION OF REVISIONS				BY	CHKD	DATE				
△								△											
△								△											
△								△											



NO.	MATERIAL	FINISH, REMARKS	NO.	MATERIAL	FINISH, REMARKS
3	PHENOL FORMALDEHYDE	(BLACK) UL94V-0	5	PHOSPHOR BRONZE	NICKEL PLATING
2	COPPER ALLOY	SILVER PLATING 2μm min	4	PHENOL FORMALDEHYDE	(BLACK) UL94V-0
1	ALUMINUM ALLOY	MATTE FINISH NICKEL PLATED			

CODE NO. (OLD)		DRAWN	DESIGNED	CHECKED	APPROVED	RELEASED
		T. HORII	M. Nagano	/	M. Sato	
		05.09.12	05.09.12		05.09.12	

 SCALE 2 : 1 UNITS mm	DRAWING NO. EDC4-024149	PART NO. JR25RK-16P
	 HIROSE ELECTRIC CO., LTD.	CODE NO. CL114-0523-0

TO
R