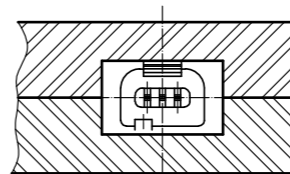
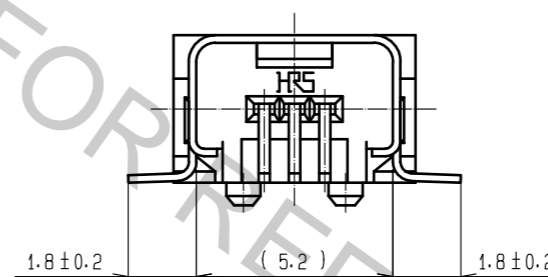
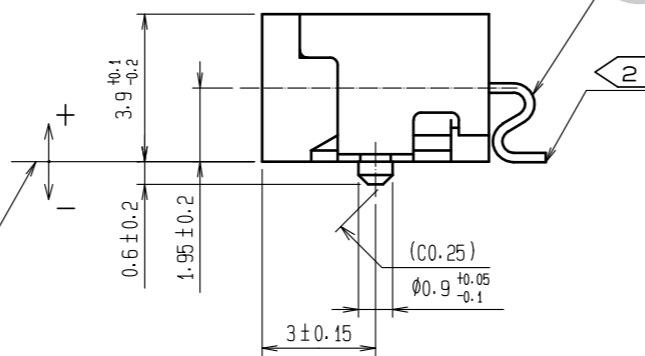
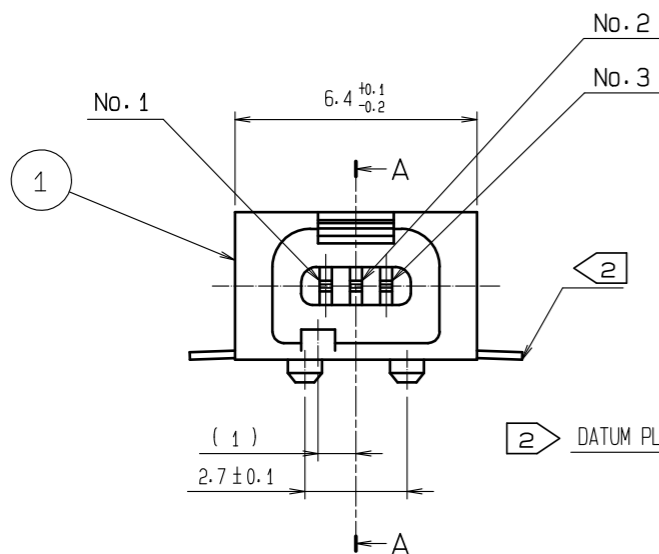
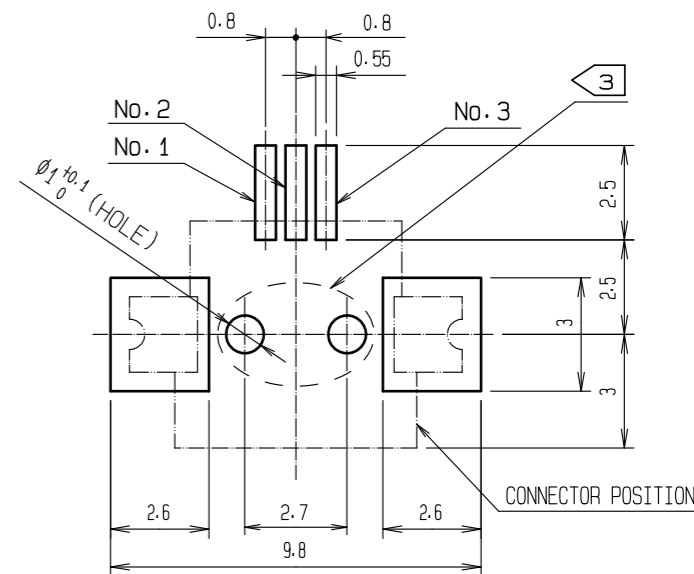


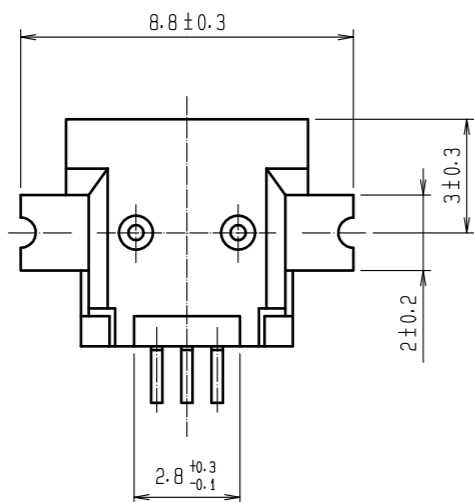
3 FIXED BY EQUIPMENT
(REFERENCE)



RECOMMENDED PCB HOLE PATTERN
(REFERENCE)



- NOTES
- 1 POLARIZATION IS AS SHOWN ON CHART-1.
 - 2 COPLANARITY(INCLUDING METAL FITTING)SHALL BE 0-0.15 FROM DATUM PLANE.
 - 3 FIXING TO PCB OF THIS PRODUCT IS SOLDER TYPE.
WE RECOMMEND TO USE ADHESIVE ON PCB SURFACE.
AND FIX THIS PRODUCT BY THE BODY OF EQUIPMENT ITSELF.
 - 4 DIRECTION FOR USE.
PLEASE DO NOT USE FOR THE PURPOSE OF INTERRUPTING THE CURRENT.



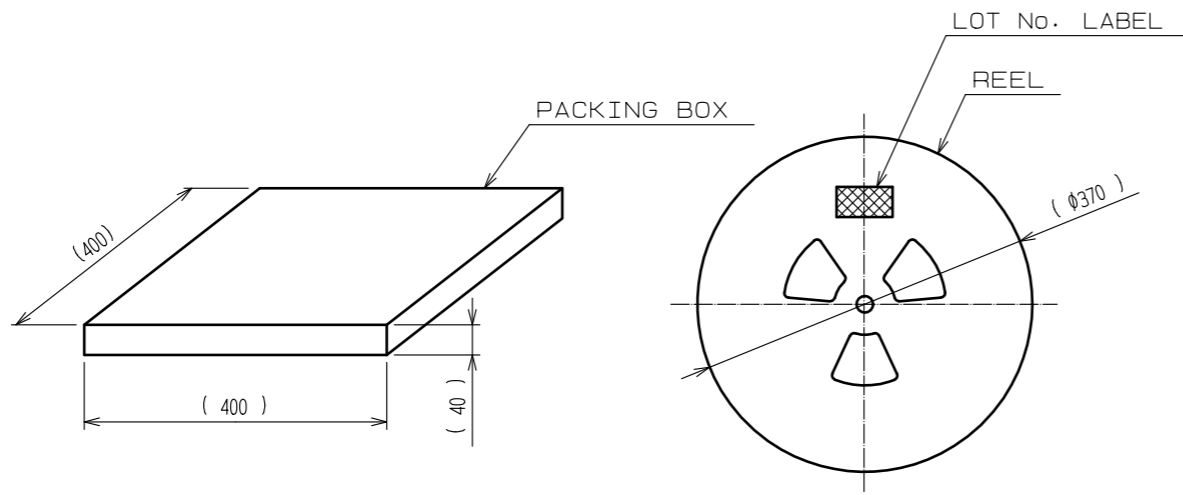
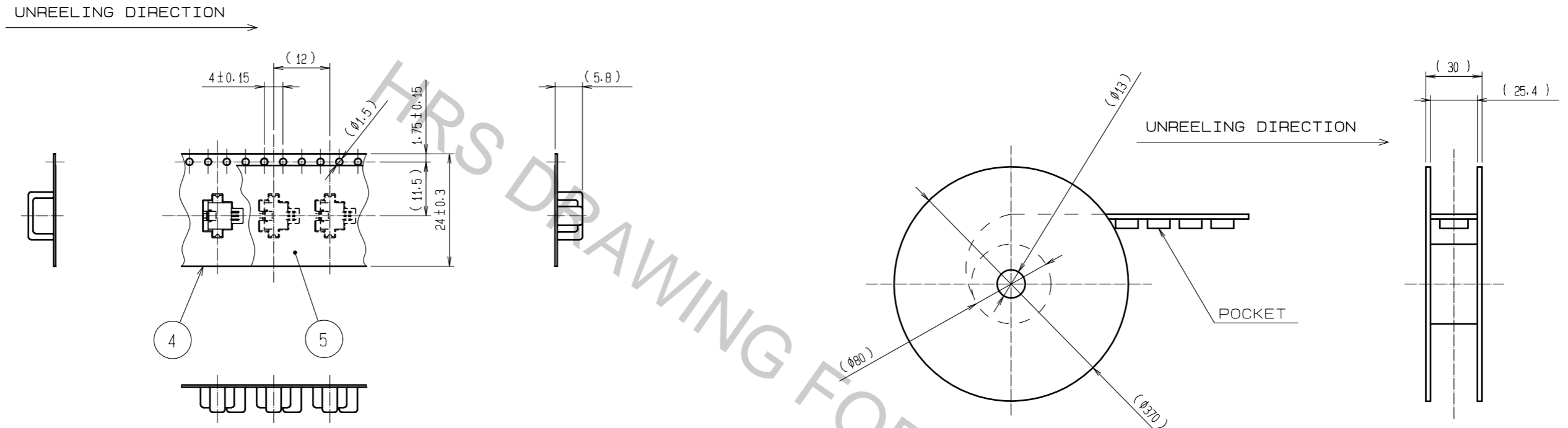
1 CHART-1 POLARIZATION

POLARIZATION	
No. 1 (+)	POWER
No. 2 (+)	SIGNAL
No. 3 (-)	POWER

2	COPPER ALLOY	CONTACT AREA: PALLADIUM NICKEL 0.7µm MIN. +GOLD 0.2µm MIN.	5	PS			
		LEAD AREA: GOLD 0.03µm MIN. UNDER PLATING: NICKEL 1.27µm MIN.	4	PS			
1	POLYAMIDE	BLACK UL94V-0	3	STAINLESS STEEL	GOLD PLATING 0.03µm MIN. UNDER PLATING NICKEL 0.2µm MIN.		
NO.	MATERIAL	FINISH . REMARKS	NO.	MATERIAL	FINISH . REMARKS		
UNITS mm		SCALE 5 : 1	COUNT	DESCRIPTION OF REVISIONS	DESIGNED	CHECKED	DATE
HRS HIROSE ELECTRIC CO., LTD.		APPROVED : NM. NISHIMATSU	15.10.27	DRAWING NO.	EDC-120677-33-00		
		CHECKED : KN. ICHIKAWA	15.10.27	PART NO.	MQ172-3PA(33)		
		DESIGNED : TS. ITO	15.10.27	CODE NO.	CL206-0950-4-33		
		DRAWN : AK. AKIYAMA	15.10.27				

Oct.1.2018 Copyright 2018 HIROSE ELECTRIC CO., LTD. All Rights Reserved.
 In case that the application demands a high level of reliability, such as automotive,
 please contact a company representative for further information.

5 DRAWING FOR PACKAGING
 (SCALE : FREE)



NOTE 5 1REEL : 1000 PCS CONNECTORS.

(FOR EXAMPLE) LOT No. LABEL

PRODUCTION DATE	YEAR / MONTH / DAY
CODE No.	206-0950-4-33
PART No.	MQ172-3PA(33)
DELIVERY QUANTITY	1000 PCS
SUPPLIER	Hirose Electric Co., Ltd.

HRS	DRAWING NO.	EDC-120677-33-00
	PART NO.	MQ172-3PA(33)
	CODE NO.	CL206-0950-4-33
		2/2