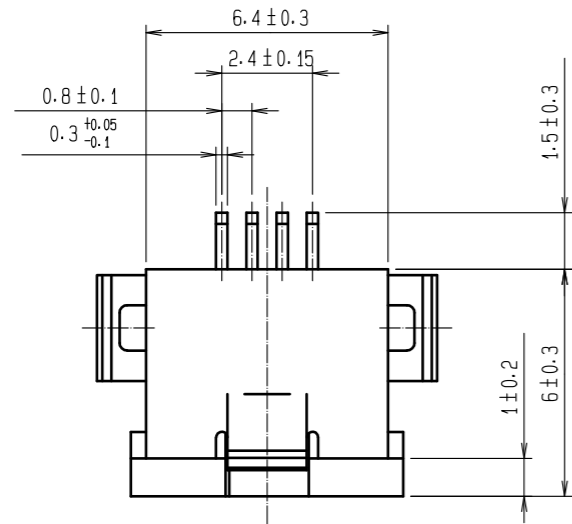
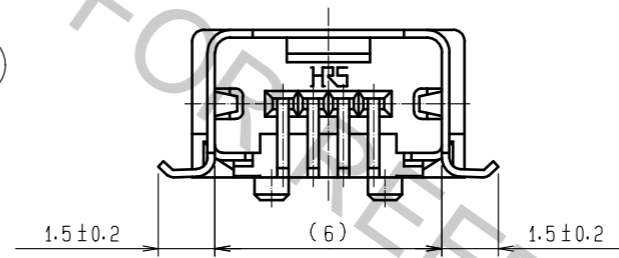
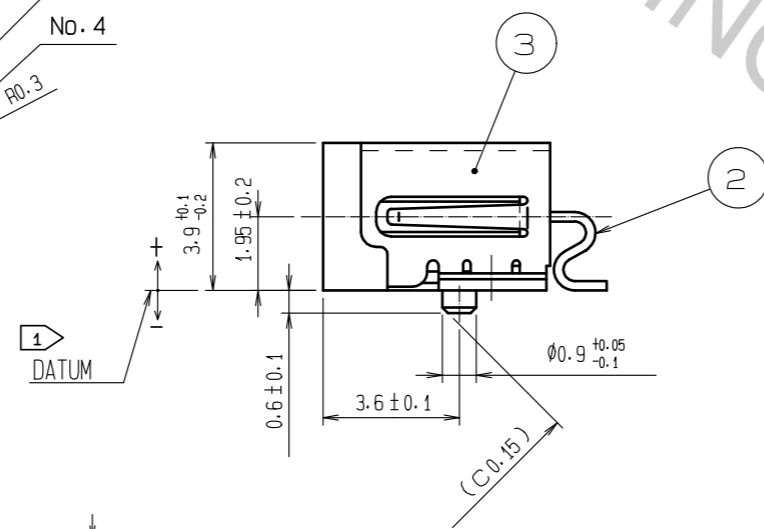
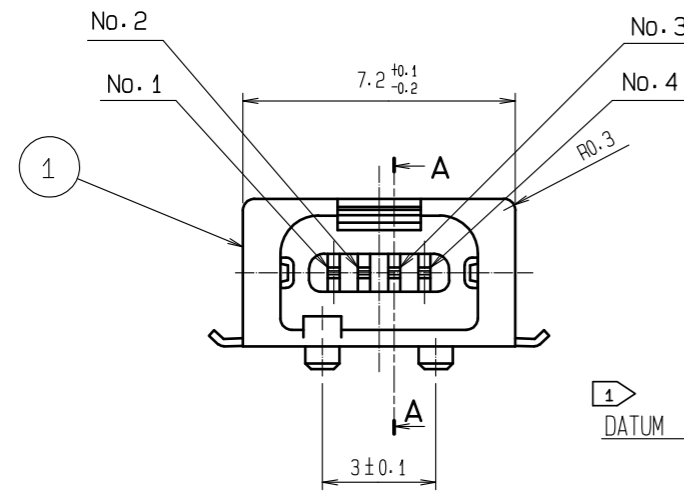
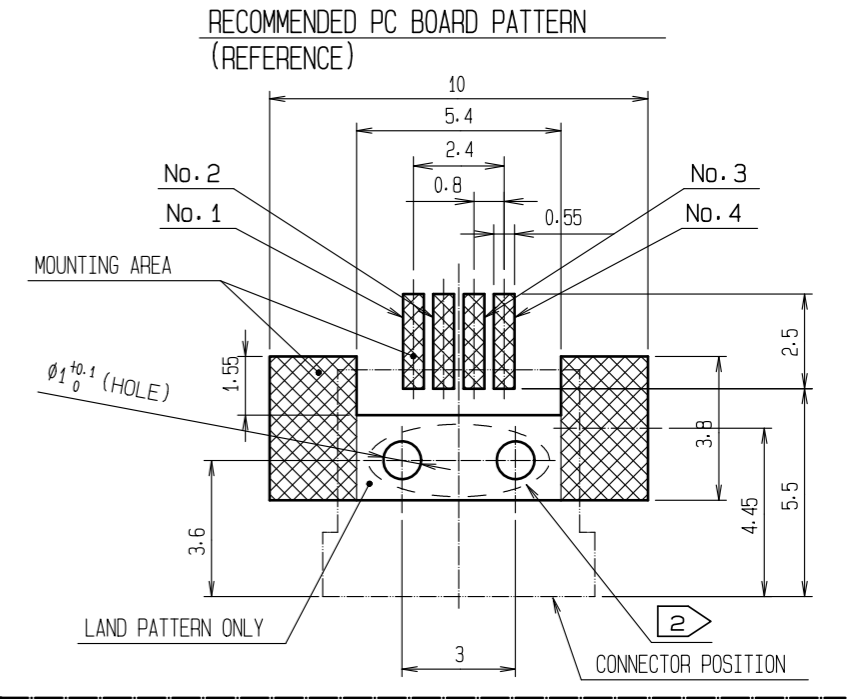
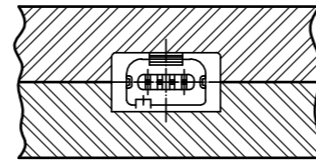


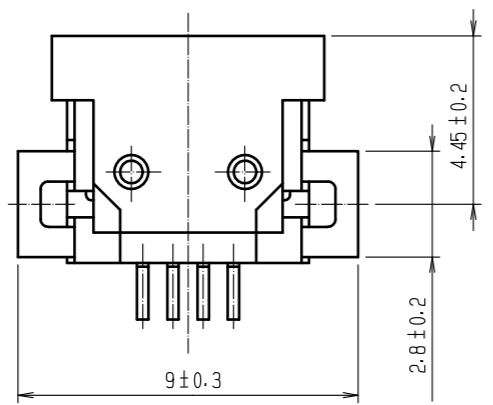
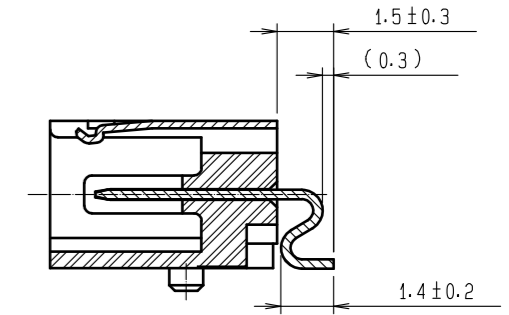
Oct.1.2018 Copyright 2018 HIROSE ELECTRIC CO., LTD. All Rights Reserved.
 In case that the application demands a high level of reliability, such as automotive,
 please contact a company representative for further information.



② FIXED BY EQUIPMENT
(REFERENCE)



A-A

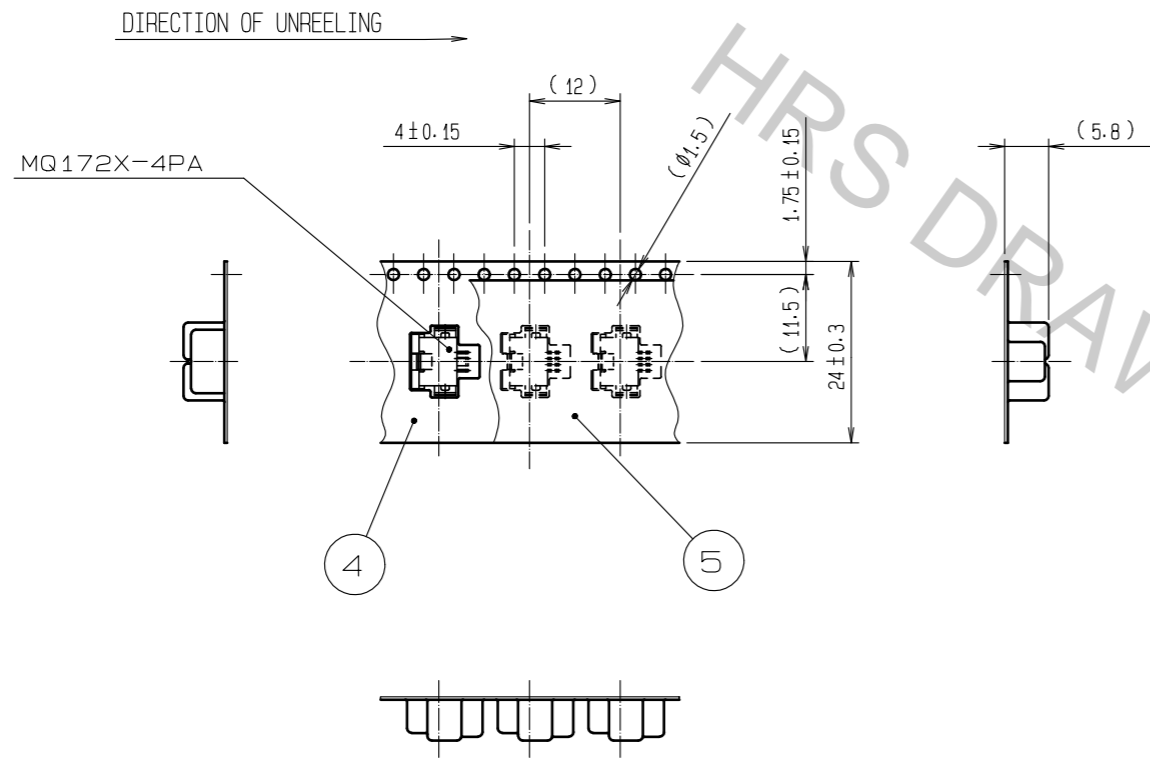


- NOTES
- ① COPLANARITY (INCLUDING METAL FITTING) SHALL BE 0.05 FROM DATUM.
 - ② FIXING TO PC BOARD OF THIS PRODUCT IS SOLDER TYPE.
 WE RECOMMEND TO USE ADHESIVE ON PC BOARD SURFACE.
 PLEASE DO NOT FIX THIS PRODUCT BY THE BODY OF EQUIPMENT ITSELF.
 - 3. DIRECTIONS FOR USE.
 PLEASE DO NOT USE FOR THE PURPOSE OF INTERRUPTING THE CURRENT.

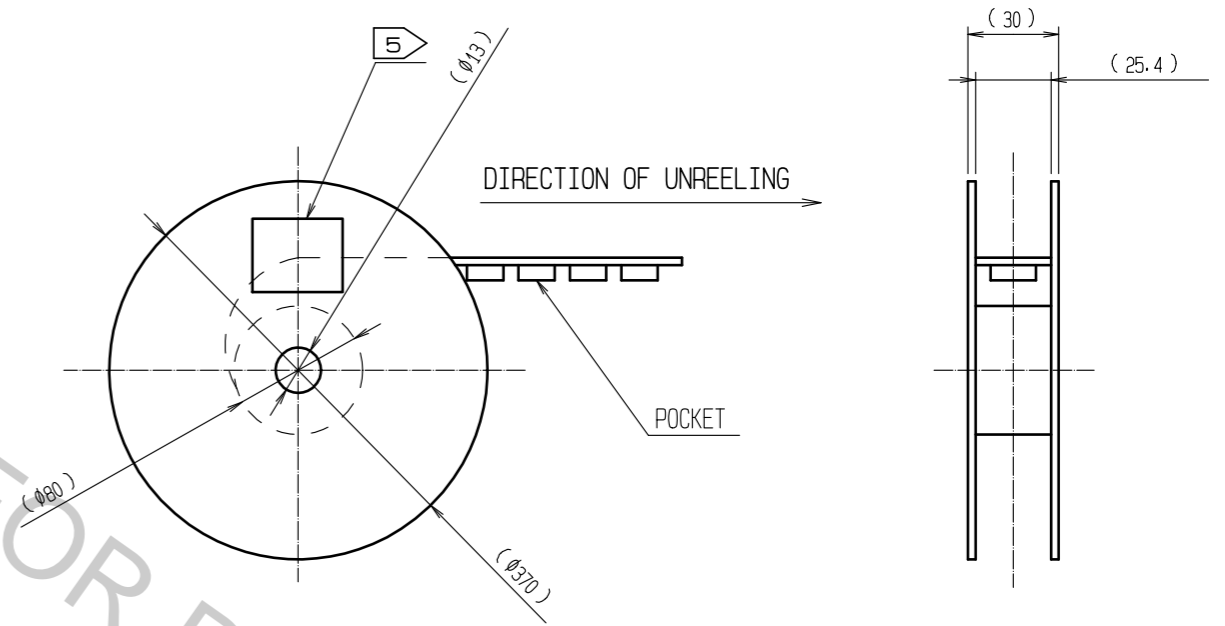
2	COPPER ALLOY	CONTACT AREA:PALLADIUM PLATED + GOLD PLATED PLATED MOUNTING AREA:GOLD FLASH PLATED	5	PS	
1	POLYAMIDE	BLACK UL94V-0	4	PS	
			3	STAINLESS STEEL	GOLD FLASH PLATED
NO.	MATERIAL	FINISH . REMARKS	NO.	MATERIAL	FINISH . REMARKS
UNITS mm		SCALE 5 : 1	COUNT 	DESCRIPTION OF REVISIONS	DESIGNED
					CHECKED
					DATE
APPROVED : NM. NISHIMATSU 15.10.27			DRAWING NO. EDC-120842-31-00		
CHECKED : KN. ICHIKAWA 15.10.27			PART NO. MQ172X-4PA(31)		
DESIGNED : TS. ITO 15.10.27			CODE NO. CL206-2000-6-31		
DRAWN : AK. AKIYAMA 15.10.27					
HRS HIROSE ELECTRIC CO., LTD.			1/2		

Oct.1.2018 Copyright 2018 HIROSE ELECTRIC CO., LTD. All Rights Reserved.
 In case that the application demands a high level of reliability, such as automotive,
 please contact a company representative for further information.

3 FIG-1 STYLE AND DIMENSION OF CONNECTOR ON POCKET.



4 FIG-2 STYLE AND DIMENSION OF REEL
 (SCALE:FREE)



- NOTES
- 4 STYLE OF CONNECTOR ON POCKET IS AS SHOWN ON FIG-1.
 - 5 1 REEL : 1000 CONNECTORS.

HRS	DRAWING NO.	EDC-120842-31-00	2/2
	PART NO.	MQ172X-4PA(31)	
	CODE NO.	CL206-2000-6-31	