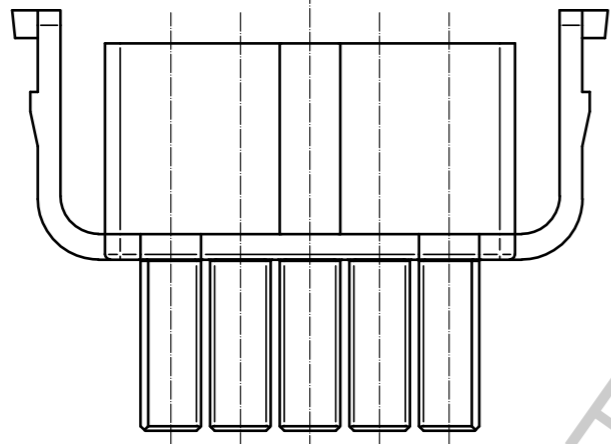
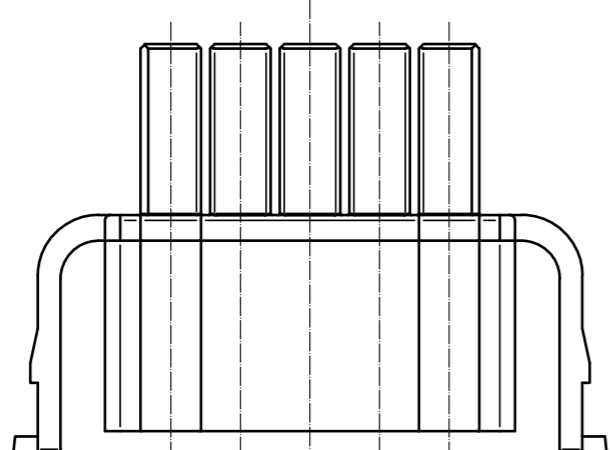
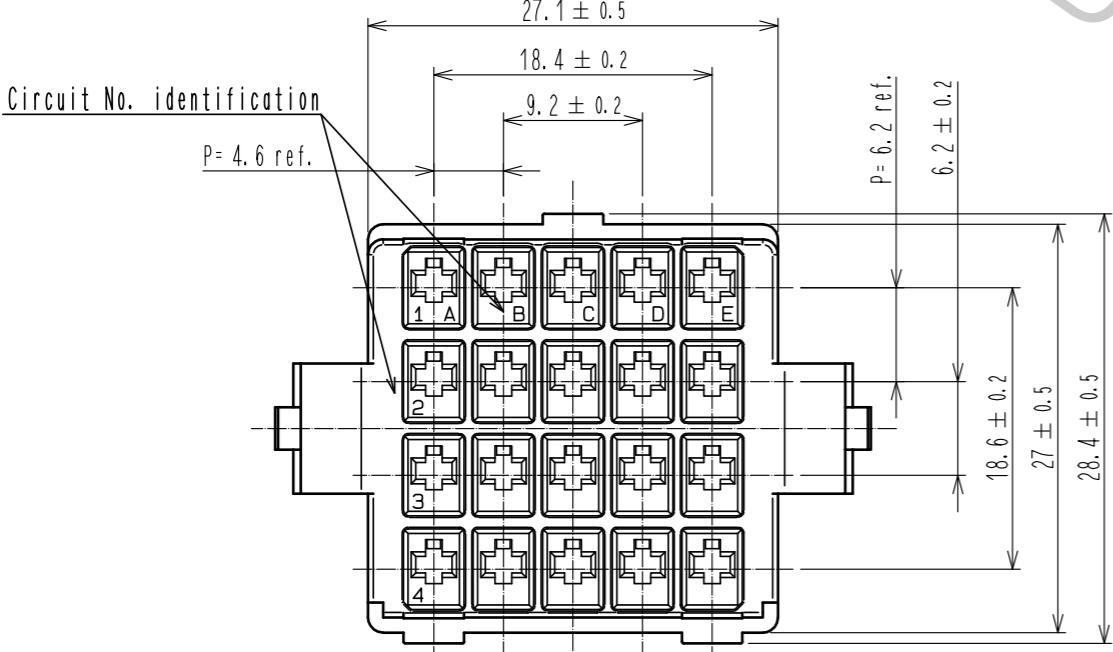


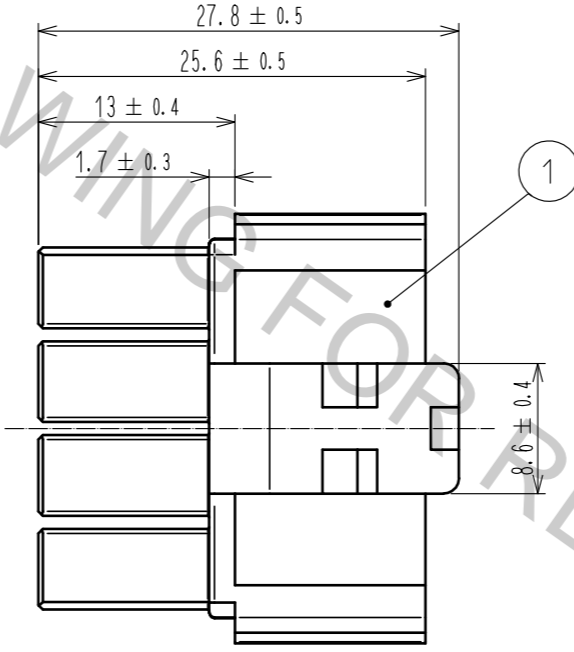
Oct.1.2018 Copyright 2018 HIROSE ELECTRIC CO., LTD. All Rights Reserved.
 In case that the application demands a high level of reliability, such as automotive,
 please contact a company representative for further information.



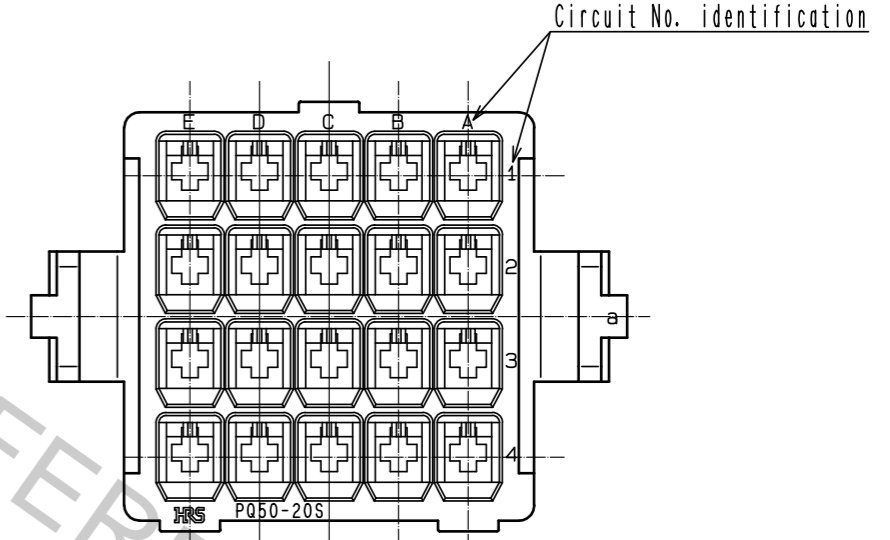
Mating face



39.4 ref.



Contact insertion side



Note 1. Refer to ETAD-E 2925 for the applicable components assembled with this product.

UNITS	SCALE	COUNT	DESCRIPTION OF REVISIONS	DESIGNED	CHECKED	DATE
mm	2 : 1	△				
HIROSE ELECTRIC CO., LTD.			APPROVED : NM. NISHIMATSU 17.01.25 CHECKED : NM. NISHIMATSU 17.01.25 DESIGNED : MO. SHIMOYAMA 17.01.25 DRAWN : JY. IGA 17.01.25	DRAWING NO. EDC-127024-01-00 PART NO. PQ50-20S(01) CODE NO. CL236-2014-2-01		
				1	PBT	Black . UL94V-0
				NO.	MATERIAL	FINISH . REMARKS