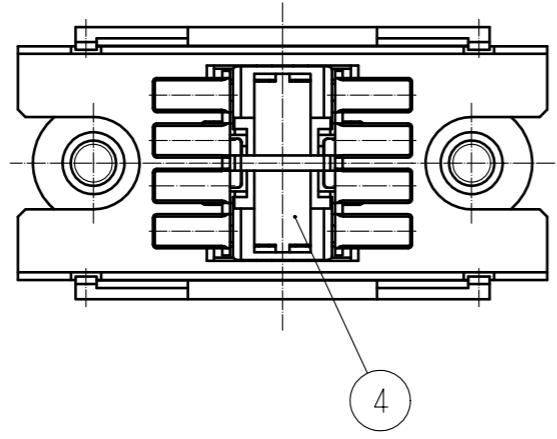
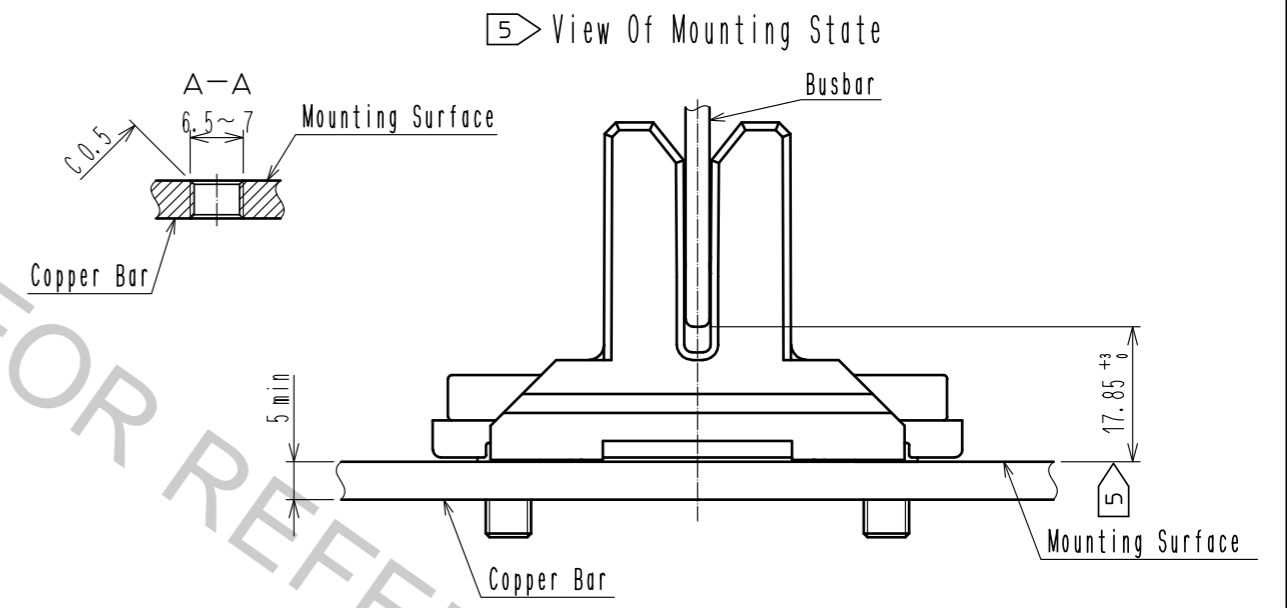
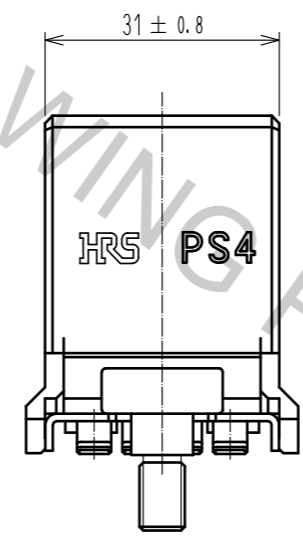
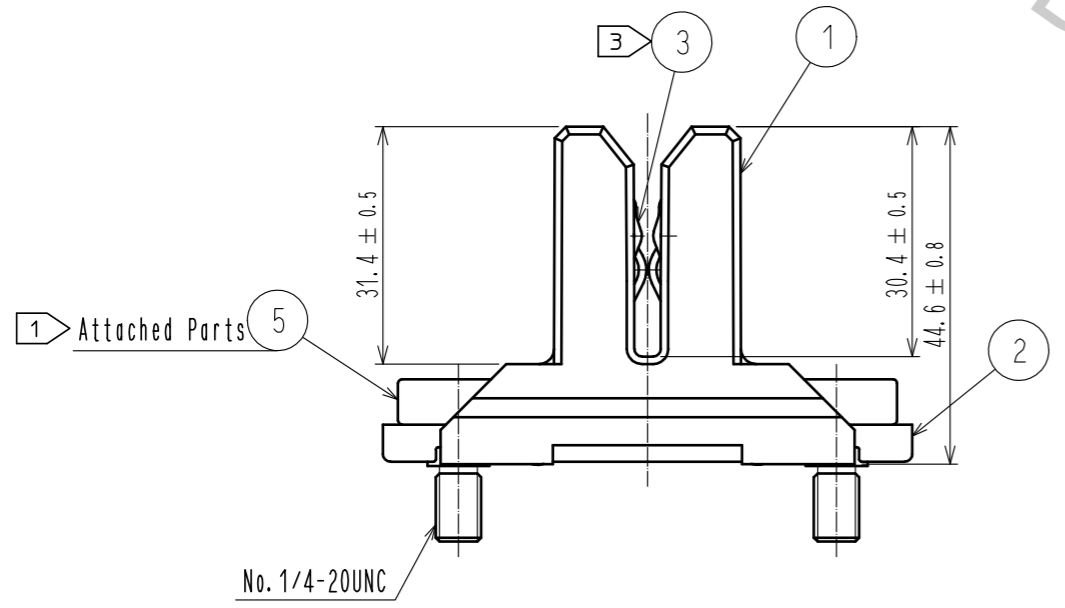
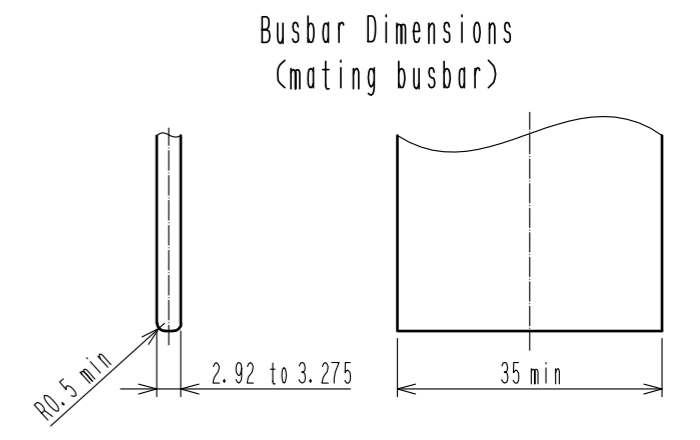
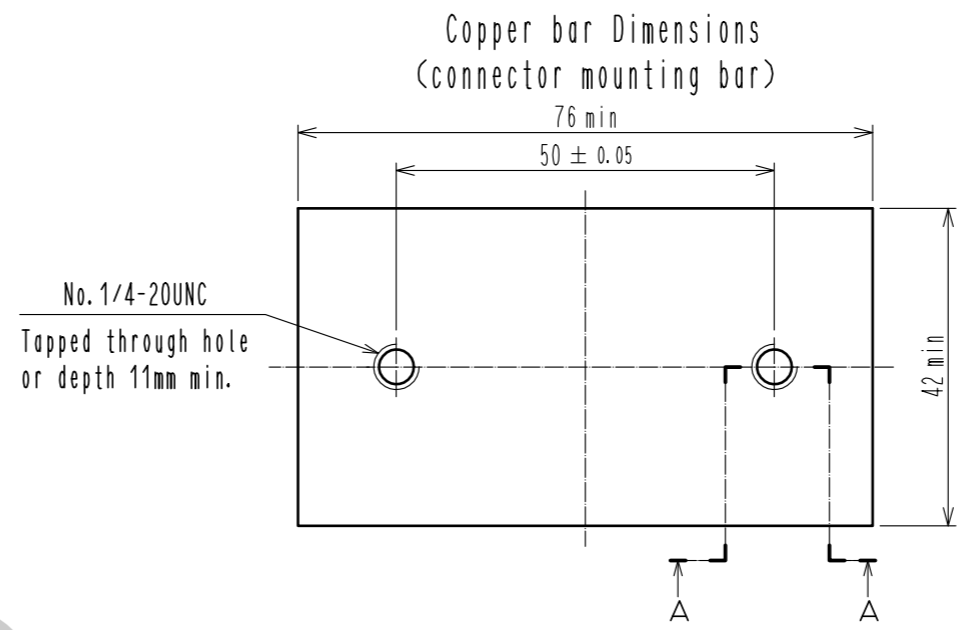
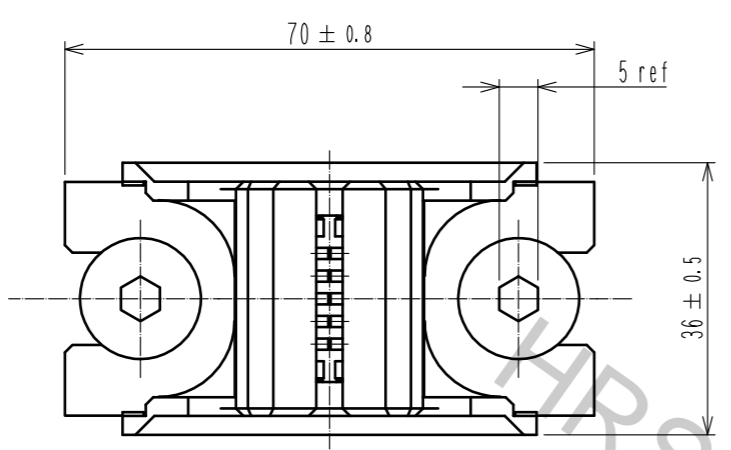


Oct.1.2018 Copyright 2018 HIROSE ELECTRIC CO., LTD. All Rights Reserved.
 In case that the application demands a high level of reliability, such as automotive,
 please contact a company representative for further information.



- Notes
- 1 The recommended tightening torque for the Ref No.5 is 5 N · m.
 - 2 This product has floating range of ±2mm from the center of the connector.
 - 3 There are some cases that plating color of Ref No.3 may change from silver to blackish brown due to chemical reaction by sulfre in the atmosphere.
 - 4 Busbar and copper bar shall be either silver plating.
 - 5 The recommended distance between installation site and tip of busbar shall be 17.85⁺⁰ mm.

2	Stainless Steel		5	Steel	Nickel Plating : 2μm min
1	PBT	Black. UL94V-0	4	PBT	Black. UL94V-0
			3	Copper Alloy	Silver Plating : 2μm min
NO.	MATERIAL	FINISH . REMARKS	NO.	MATERIAL	FINISH . REMARKS
UNITS mm		SCALE 1 : 1	COUNT 1	DESCRIPTION OF REVISIONS	
				DESIGNED MO. SHIMUYAMA	CHECKED NM. NISHIMATSU
				DATE 16.11.15	
APPROVED : RI. TAKAYASU 15.12.16			DRAWING NO. EDC-128869-00-00		
CHECKED : NM. NISHIMATSU 15.12.15			PART NO. PS4-3.175T		
DESIGNED : MO. SHIMUYAMA 15.12.15			CODE NO. CL236-1012-0-00		
DRAWN : MO. SHIMUYAMA 15.12.15					