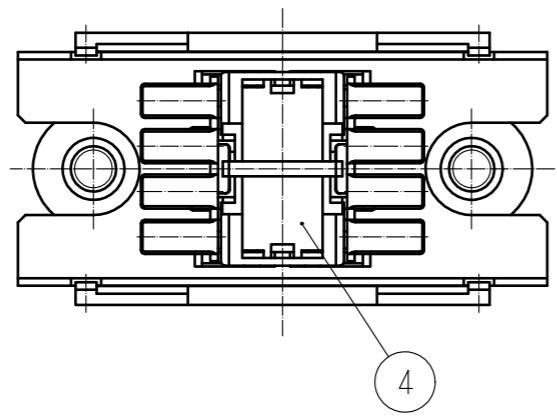
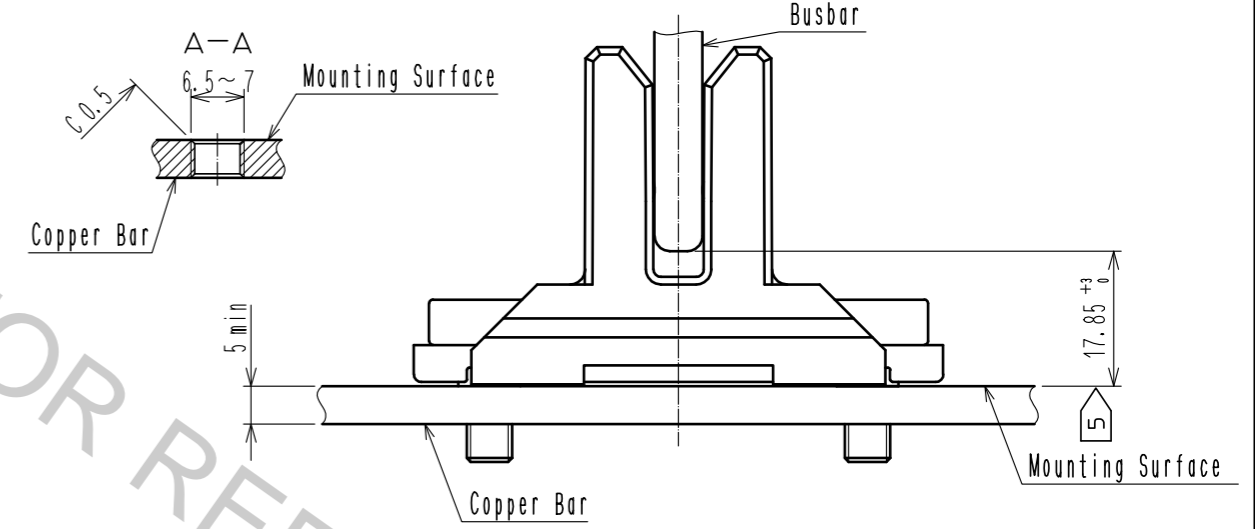
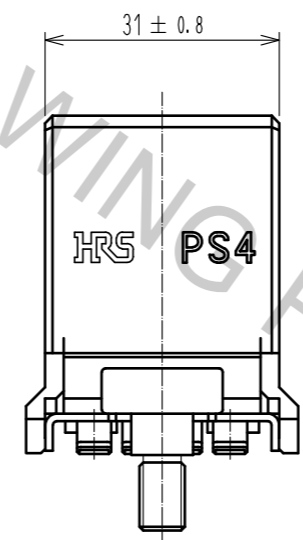
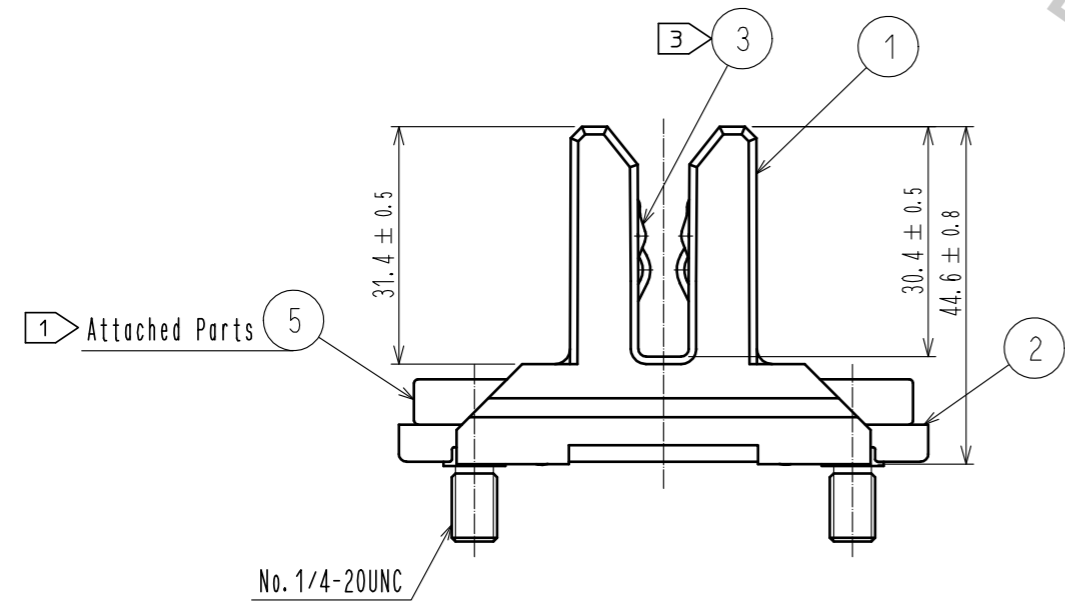
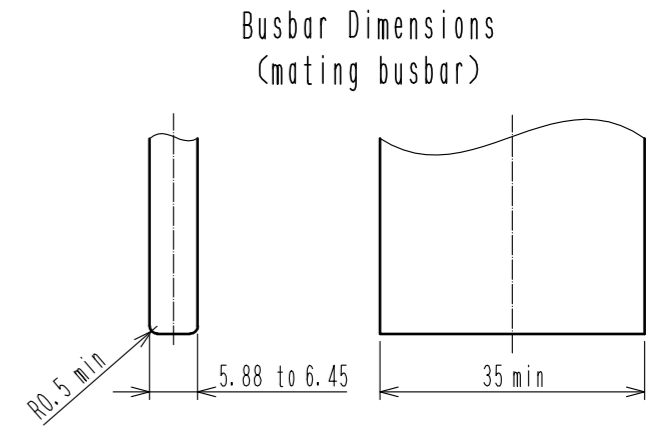
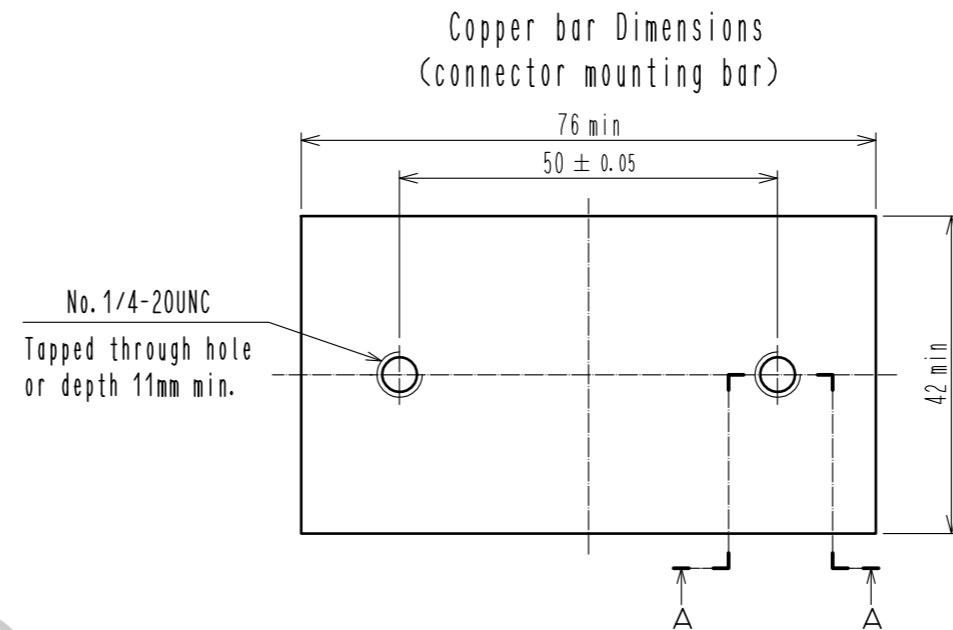
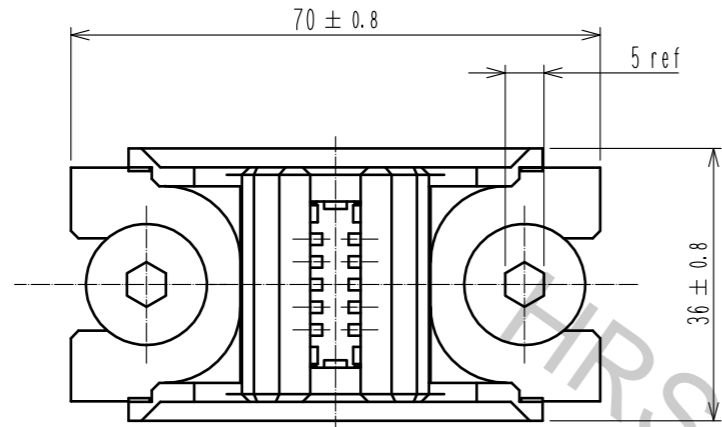


Oct.1.2018 Copyright 2018 HIROSE ELECTRIC CO., LTD. All Rights Reserved.
 In case that the application demands a high level of reliability, such as automotive,
 please contact a company representative for further information.



- Notes
- ① The recommended tightening torque for the Ref No.5 is 5 N·m.
 - ② This product has floating range of ±2mm from the center of the connector.
 - ③ There are some cases that plating color of Ref No.3 may change from silver to blackish brown due to chemical reaction by sulfure in the atmosphere.
 - ④ Busbar and copper bar shall be either silver plating.
 - ⑤ The recommended distance between installation site and tip of busbar shall be 17.85^{±0.1} mm.

2	Stainless Steel		5	Steel	Nickel Plating : 2μm min
1	PBT	Black. UL94V-0	4	PBT	Black. UL94V-0
			3	Copper Alloy	Silver Plating : 2μm min
NO.	MATERIAL	FINISH . REMARKS	NO.	MATERIAL	FINISH . REMARKS
UNITS mm		SCALE 1 : 1	COUNT 1	DESCRIPTION OF REVISIONS	
				DESIGNED	CHECKED
				MO. SHIMOYAMA	NM. NISHIMATSU
				DATE	16.11.15
HRS HIROSE ELECTRIC CO., LTD.		APPROVED : RI. TAKAYASU	15.12.16	DRAWING NO. EDC-128868-00-00	
		CHECKED : NM. NISHIMATSU	15.12.15	PART NO. PS4-6.35T	
		DESIGNED : MO. SHIMOYAMA	15.12.15	CODE NO. CL236-1011-0-00	
		DRAWN : MO. SHIMOYAMA	15.12.15	②/1	