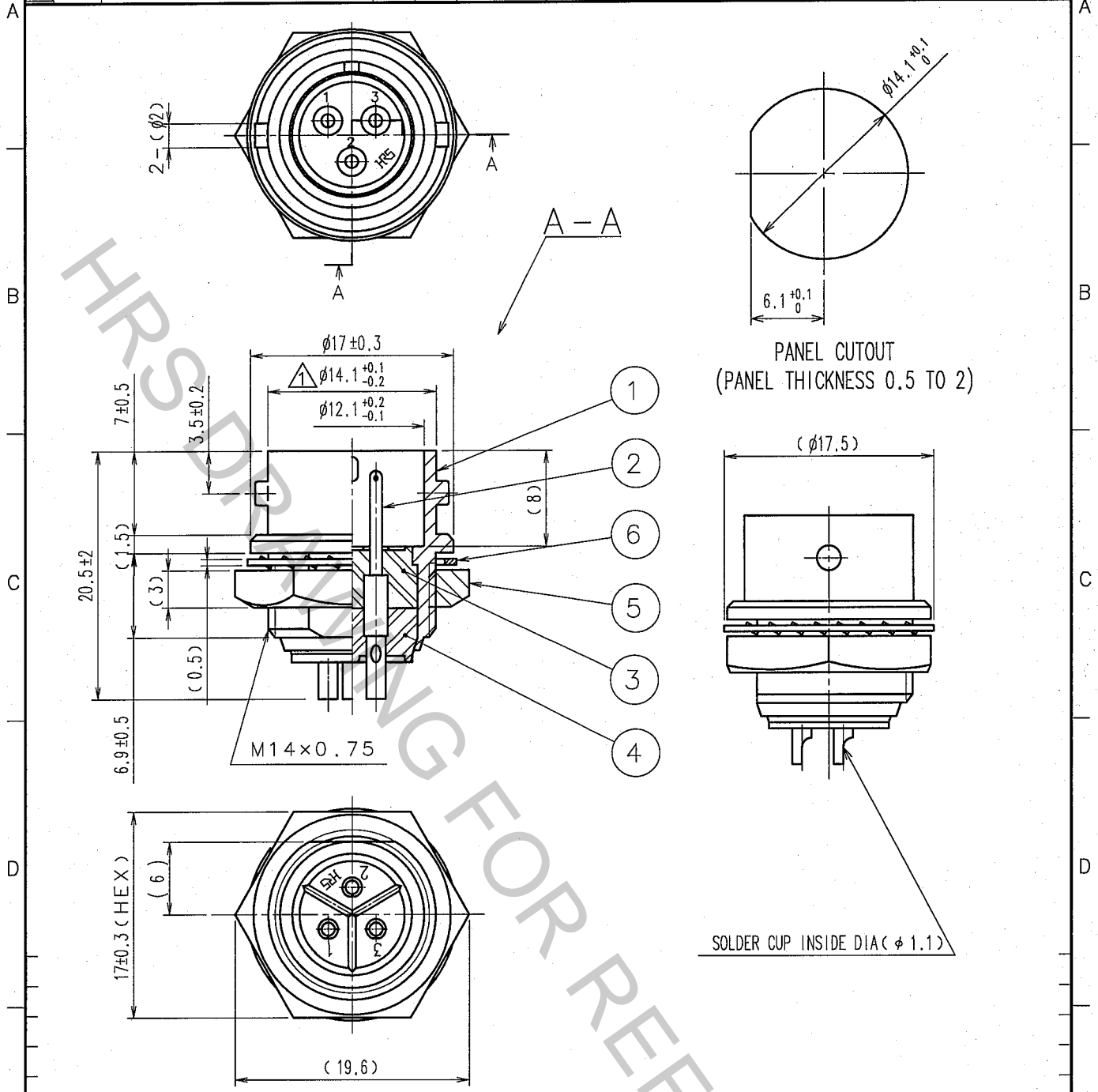


Oct.1.2018 Copyright 2018 HIROSE ELECTRIC CO., LTD. All Rights Reserved.  
 In case that the application demands a high level of reliability, such as automotive,  
 please contact a company representative for further information.

1		2			3			4		
COUNT	DESCRIPTION OF REVISIONS	BY	CHKD	DATE	COUNT	DESCRIPTION OF REVISIONS	BY	CHKD	DATE	
1	DIS-C-000101	M.I	Y.Y	07.10.10						



NOTE: ① THE RECOMMENDED CLAMP TORQUE OF REE .NO. ⑤ : 2N · m

3	DIALYL PHTHALATE	(BLACK) UL94V-0	6	PHOSPHOR BRONZE	NICKEL PLATING
2	COPPER ALLOY	SILVER PLATING 2μ m min.	5	BRASS	NICKEL PLATING
1	ZINC ALLOY	MATTE FINISH NICKEL PLATED	4	DIALYL PHTHALATE	(BLACK) UL94V-0
NO.	MATERIAL	FINISH, REMARKS	NO.	MATERIAL	FINISH, REMARKS

CODE NO. (OLD)	CL	DRAWN	DESIGNED	CHECKED	APPROVED	RELEASED
		Y.YAMADA	Y.YAMADA	H.ZENBA	M.SATO	
		05.08.30	05.08.30	05.09.02	05.09.06	

TO
R

SCALE	DRAWING NO.	PART NO.
2 : 1	EDC4-027508-71	RM12BRD-3PH(71)
UNITS	CODE NO.	
mm	CL109-0824-0-71	



HIROSE ELECTRIC CO., LTD.