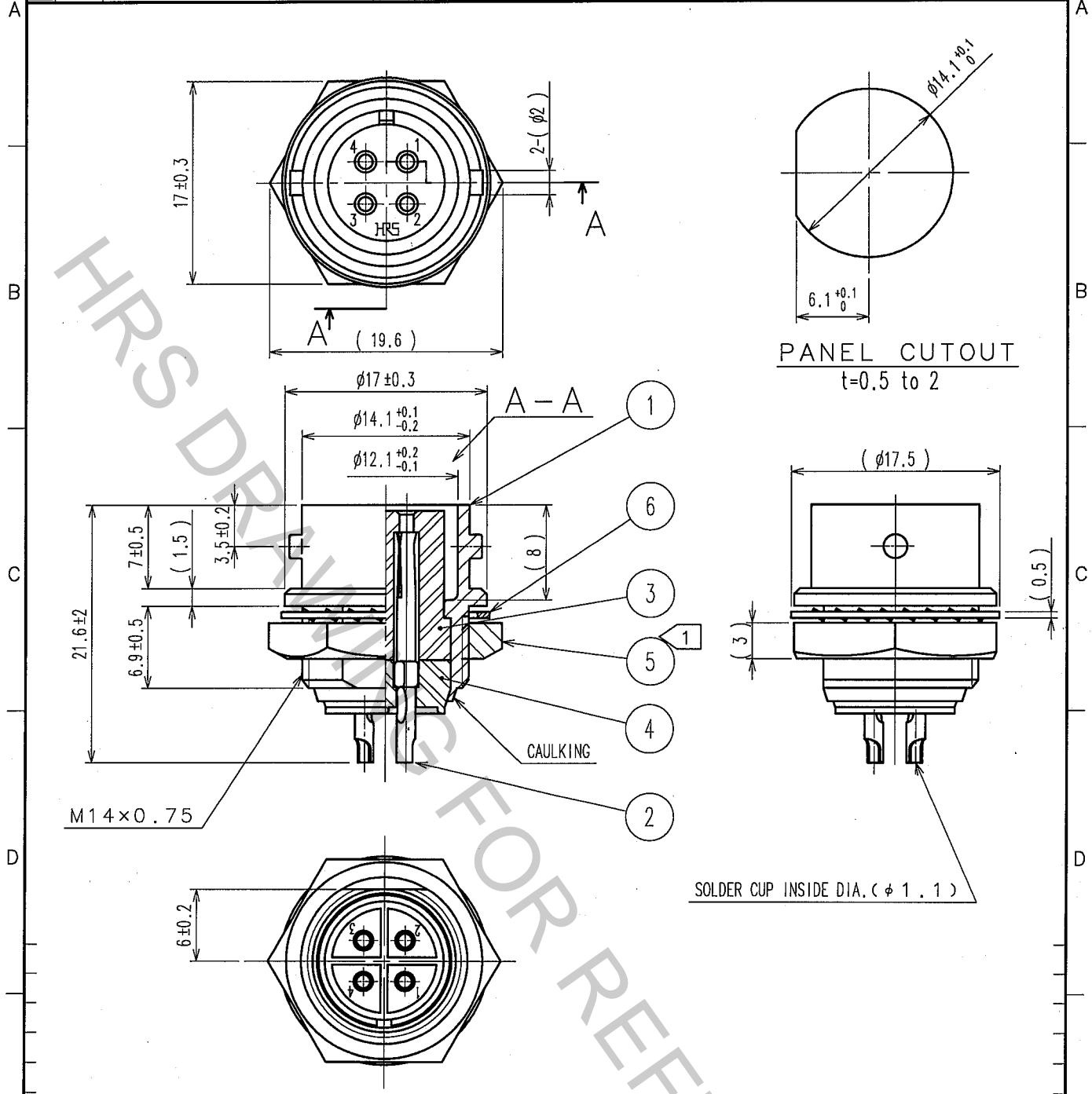


Oct.1.2018 Copyright 2018 HIROSE ELECTRIC CO., LTD. All Rights Reserved.
 In case that the application demands a high level of reliability, such as automotive,
 please contact a company representative for further information.

1		2			3			4		
COUNT	DESCRIPTION OF REVISIONS	BY	CHKD	DATE	COUNT	DESCRIPTION OF REVISIONS	BY	CHKD	DATE	
△					△					
△					△					
△					△					



NOTE 1 THE RECOMMENDED CLAMP TORQUE OF REF. NO. ⑤: 2 N·m.

NO.	MATERIAL	FINISH, REMARKS	NO.	MATERIAL	FINISH, REMARKS
3	DIALLYL PHTHALATE	(BLACK) UL94V-0	6	PHOSPHOR BRONZE	NICKEL PLATING
2	COPPER ALLOY	SILVER PLATING 5μm min.	5	BRASS	NICKEL PLATING
1	ZINC ALLOY	MATTE FINISH NICKEL PLATED	4	DIALLYL PHTHALATE	(BLACK) UL94V-0

CODE NO. (OLD)	DRAWN	DESIGNED	CHECKED	APPROVED	RELEASED
	<i>J. Komatsu</i>	<i>J. Komatsu</i>		<i>M. Sato</i>	
	06.07.18	06.07.18		06.07.19	

 SCALE 2 : 1 UNITS mm	DRAWING NO. EDC4-006764-71 HRS HIROSE ELECTRIC CO., LTD.	PART NO. RM12BRD-4S(71) CODE NO. CL109-0611-0-71	1/1
-----------------------------------	--	---	-----

TO
R