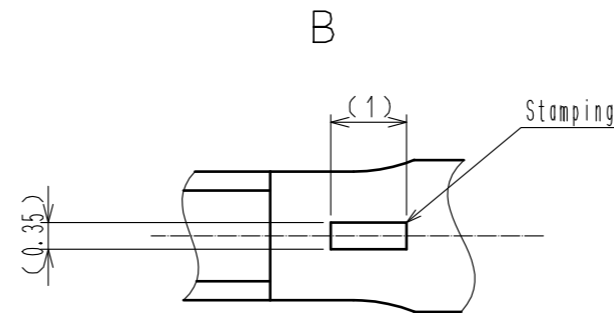
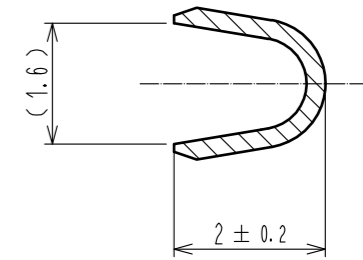


A - A



- Notes
- ① Applicable hand crimping tool : HT802/RM-11(CLCL150-0401-6-00)
  - ② Applicable crimp contact extraction tool : RM-TP(CCL150-008-7)
  - ③ Applicable wire size : AWG #24~#20.
  - ④ A package containig 100 pieces.

1	Phosphor bronze	Silver plating						
NO.	MATERIAL	FINISH . REMARKS	NO.	MATERIAL	FINISH . REMARKS			
UNITS mm		SCALE 10: 1	COUNT ① 1	DESCRIPTION OF REVISIONS DIS-C-00000833		DESIGNED HK. NAMAI	CHECKED HY. KOBAYASHI	DATE 16. 02. 29
<b>HRS</b> HIROSE ELECTRIC CO., LTD.		APPROVED : MR. YOSHIDA	05. 01. 05	DRAWING NO. EDC3-007611-00				
		CHECKED : MO. SATOH	05. 01. 05	PART NO. RM-PC-112				
		DESIGNED : YH. YAMADA	05. 01. 05	CODE NO. CL109-0668-7-00				
		DRAWN : YH. YAMADA	05. 01. 05					