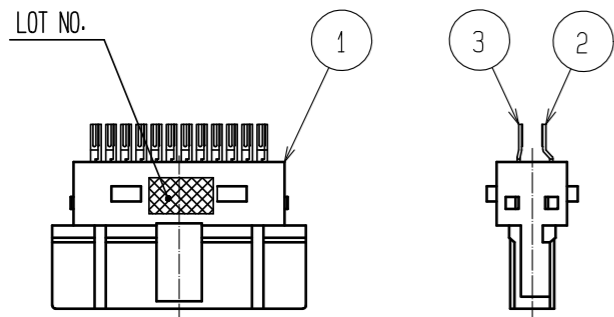
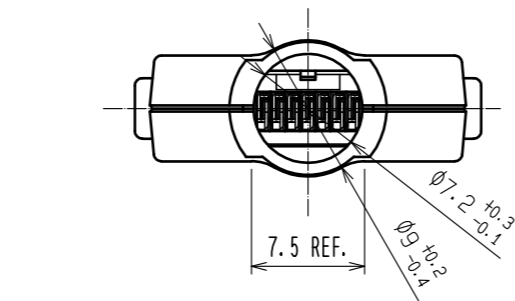


Oct.1.2018 Copyright 2018 HIROSE ELECTRIC CO., LTD. All Rights Reserved.
In case that the application demands a high level of reliability, such as automotive, please contact a company representative for further information.

CONNECTOR UNIT



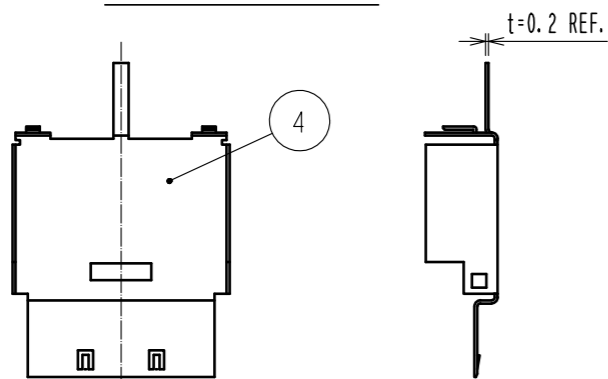
CONNECTOR AFTER COMPONENTS INSTALLED



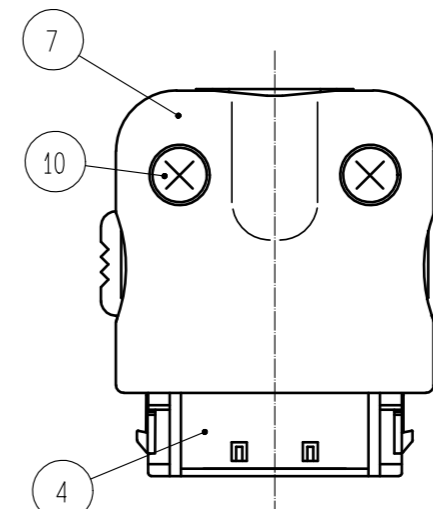
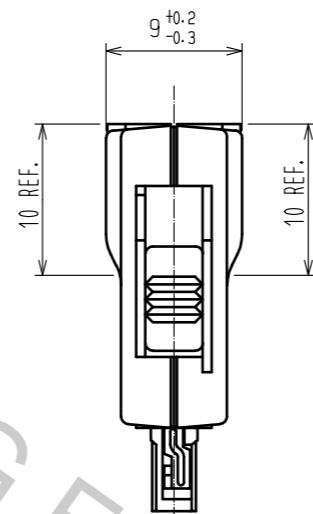
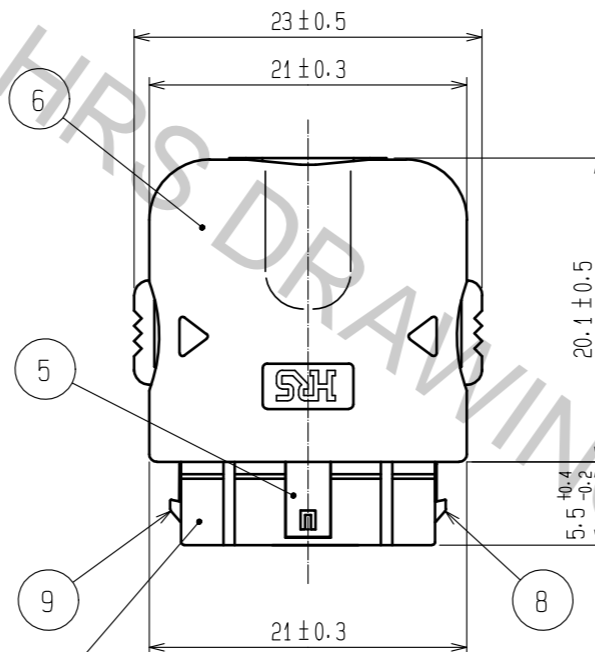
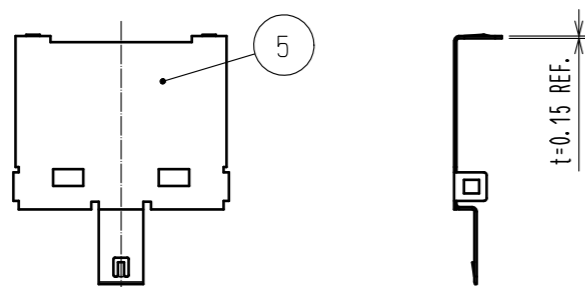
- NOTES
- PACKAGING: COMPONENTS ARE PACKED SEPARATELY BY THE TYPES OF PARTS WITH CROSS-CARRIED TAPPING SCREWS(REF NO. 10) ATTACHED.
 - METAL CLAMP AND CABLE BUSHING ARE SEPARATELY AVAILABLE.
 - COVER CASE (A) AND (B) SHALL BE FITTED ONLY ONE TIME DUE TO THEIR PRESS FITTING DESIGN.

METAL CLAMP	ST40X-CM(5.8)	CL241-0024-0
CABLE BUSHING	ST40X-BS(5.8)	CL241-0025-3

SHIELD PLATE (A)



SHIELD PLATE (B)



PATTERN OF MOUNTING METAL CLAMP AND CABLE BUSHING

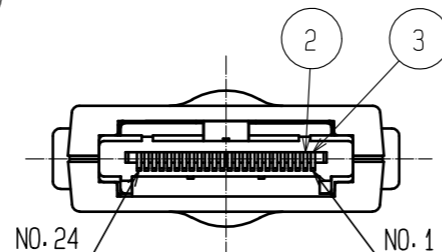
$\phi 5.8^{0}</math>$

24 WIRE SHIELD CABLE

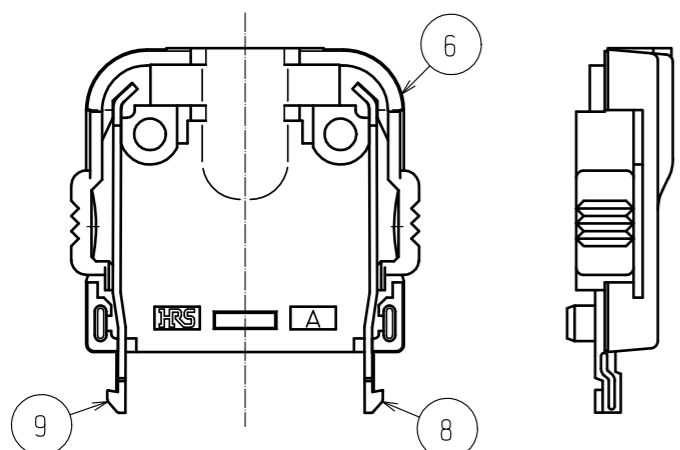
CABLE BUSHING (SEPARATELY AVAILABLE)
ST40X-BS(5.8)

METAL CLAMP (SEPARATELY AVAILABLE)
ST40X-CM(5.8)

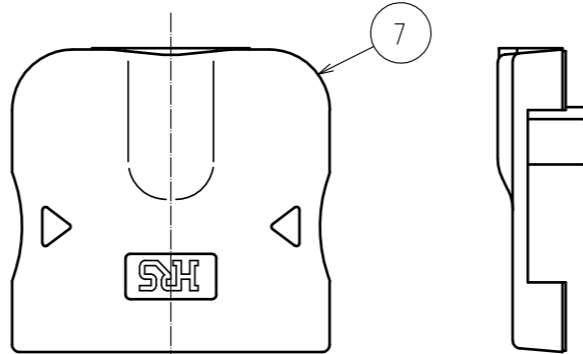
CLAMP BUSHING CABLE HERE WITH
CABLE SHIELD USING METAL CLAMP
(SEPARATELY AVAILABLE).



COVER CASE (A) WITH LOCK SPRINGS INSTALLED



COVER CASE (B)



5	STANLESS STEEL		10	STEEL	BLACK TAPPING SCREW TRIAVALENT CHROMATE
4	STANLESS STEEL		9	STANLESS STEEL	
3	COPPER ALLOY	SELECTIVE GOLD PLATED +SELECTIVE GOLD FLASH PLATED	8	STANLESS STEEL	
2	COPPER ALLOY	SELECTIVE GOLD PLATED +SELECTIVE GOLD FLASH PLATED	7	POLYCARBONATE	BLACK UL94V-0
1	PA	BLACK UL94V-0	6	POLYCARBONATE	BLACK UL94V-0
NO.	MATERIAL	FINISH . REMARKS	NO.	MATERIAL	FINISH . REMARKS

UNITS mm		SCALE 2 : 1	COUNT 	DESCRIPTION OF REVISIONS	DESIGNED	CHECKED	DATE
APPROVED : NM. NISHIMATSU 15.10.27				DRAWING NO. EDC-124187-30-00			
CHECKED : KN. ICHIKAWA 15.10.27				PART NO. ST40X-24S-CV1(30)			
DESIGNED : TS. ITO 15.10.27				CODE NO. CL241-0023-8-30			
DRAWN : AK. AKIYAMA 15.10.27							