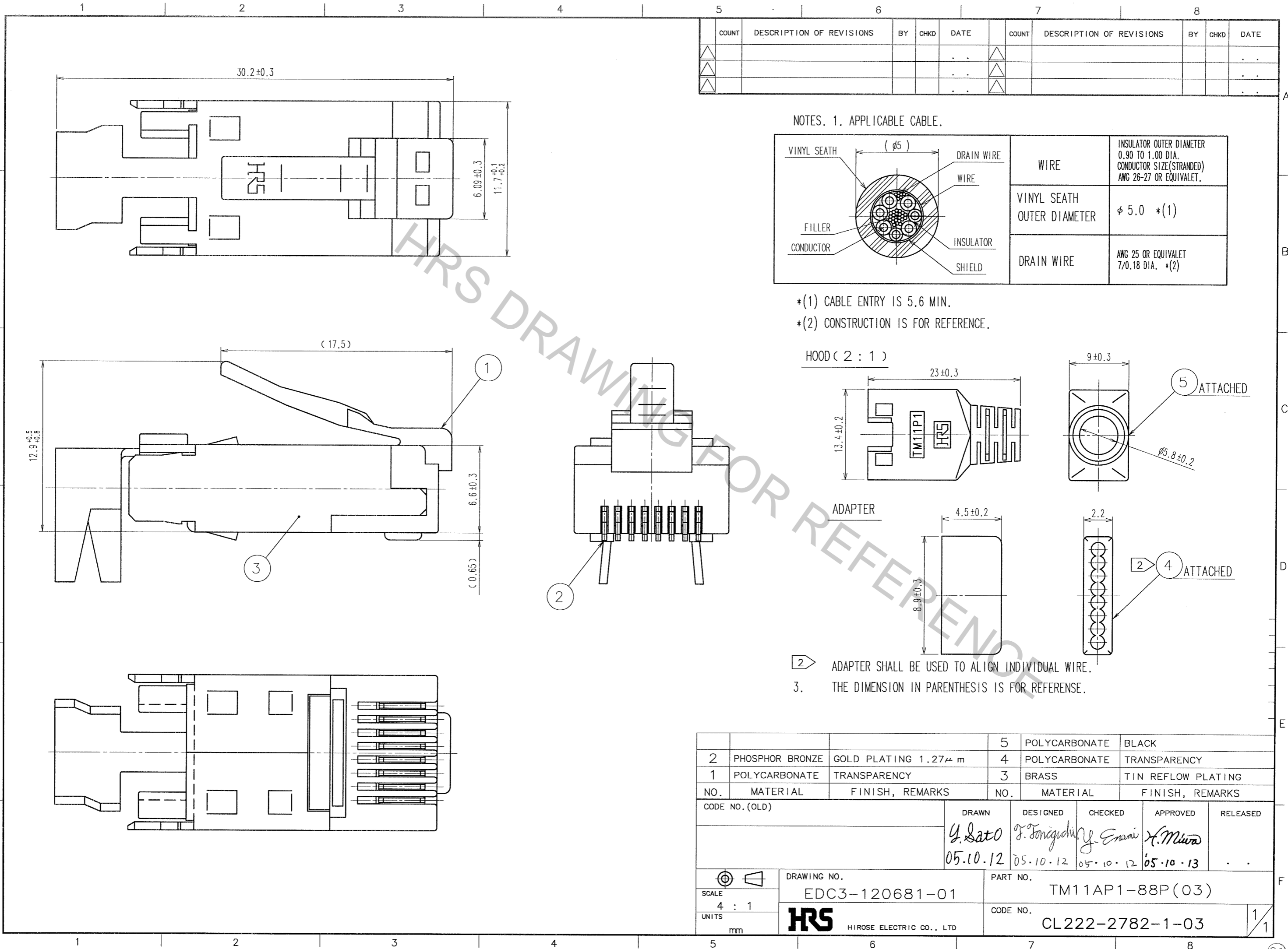
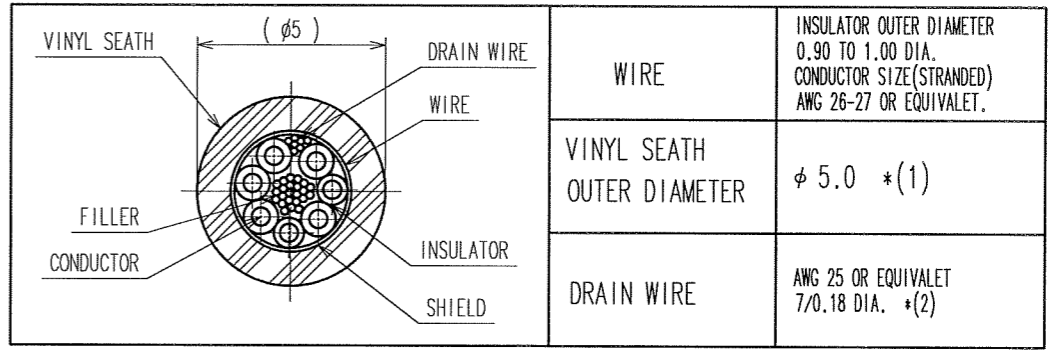


Oct.1.2018 Copyright 2018 HIROSE ELECTRIC CO., LTD. All Rights Reserved.
 In case that the application demands a high level of reliability, such as automotive,
 please contact a company representative for further information.



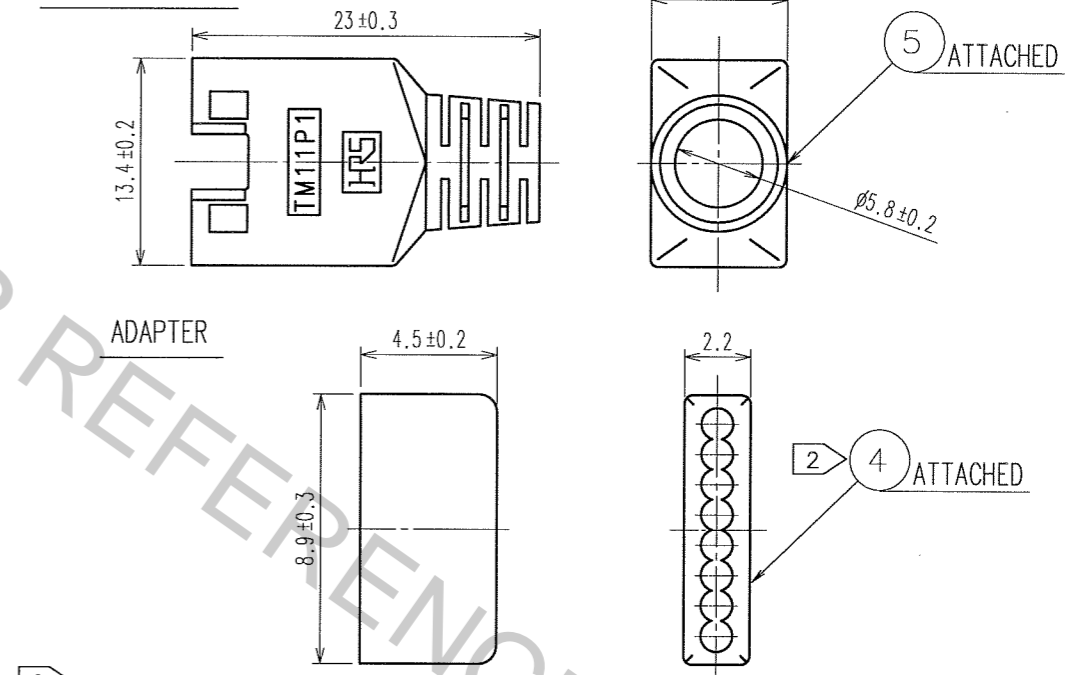
| COUNT | DESCRIPTION OF REVISIONS | BY | CHKD | DATE | COUNT | DESCRIPTION OF REVISIONS | BY | CHKD | DATE |
|-------|--------------------------|----|------|------|-------|--------------------------|----|------|------|
| | | | | | | | | | |
| | | | | | | | | | |
| | | | | | | | | | |

NOTES. 1. APPLICABLE CABLE.



*(1) CABLE ENTRY IS 5.6 MIN.
 *(2) CONSTRUCTION IS FOR REFERENCE.

HOOD (2 : 1)



2 ADAPTER SHALL BE USED TO ALIGN INDIVIDUAL WIRE.
 3. THE DIMENSION IN PARENTHESIS IS FOR REFERENCE.

| NO. | MATERIAL | FINISH, REMARKS | NO. | MATERIAL | FINISH, REMARKS |
|-----|-----------------|-----------------------|-----|---------------|--------------------|
| 2 | PHOSPHOR BRONZE | GOLD PLATING 1.27 μ m | 5 | POLYCARBONATE | BLACK |
| 1 | POLYCARBONATE | TRANSPARENCY | 4 | POLYCARBONATE | TRANSPARENCY |
| | | | 3 | BRASS | TIN REFLOW PLATING |

| | | | | | |
|----------------|----------------|---------------------|-----------------|----------------|----------|
| CODE NO. (OLD) | DRAWN | DESIGNED | CHECKED | APPROVED | RELEASED |
| | <i>G. Sato</i> | <i>T. Sonoguchi</i> | <i>Y. Enami</i> | <i>H. Mura</i> | |
| | 05.10.12 | 05.10.12 | 05.10.12 | 05.10.13 | |

| | | |
|-------|--------------------------|-----------------|
| SCALE | DRAWING NO. | PART NO. |
| 4 : 1 | EDC3-120681-01 | TM11AP1-88P(03) |
| UNITS | HIROSE ELECTRIC CO., LTD | CODE NO. |
| mm | | CL222-2782-1-03 |

| |
|----|
| TO |
| Q1 |
| |
| |