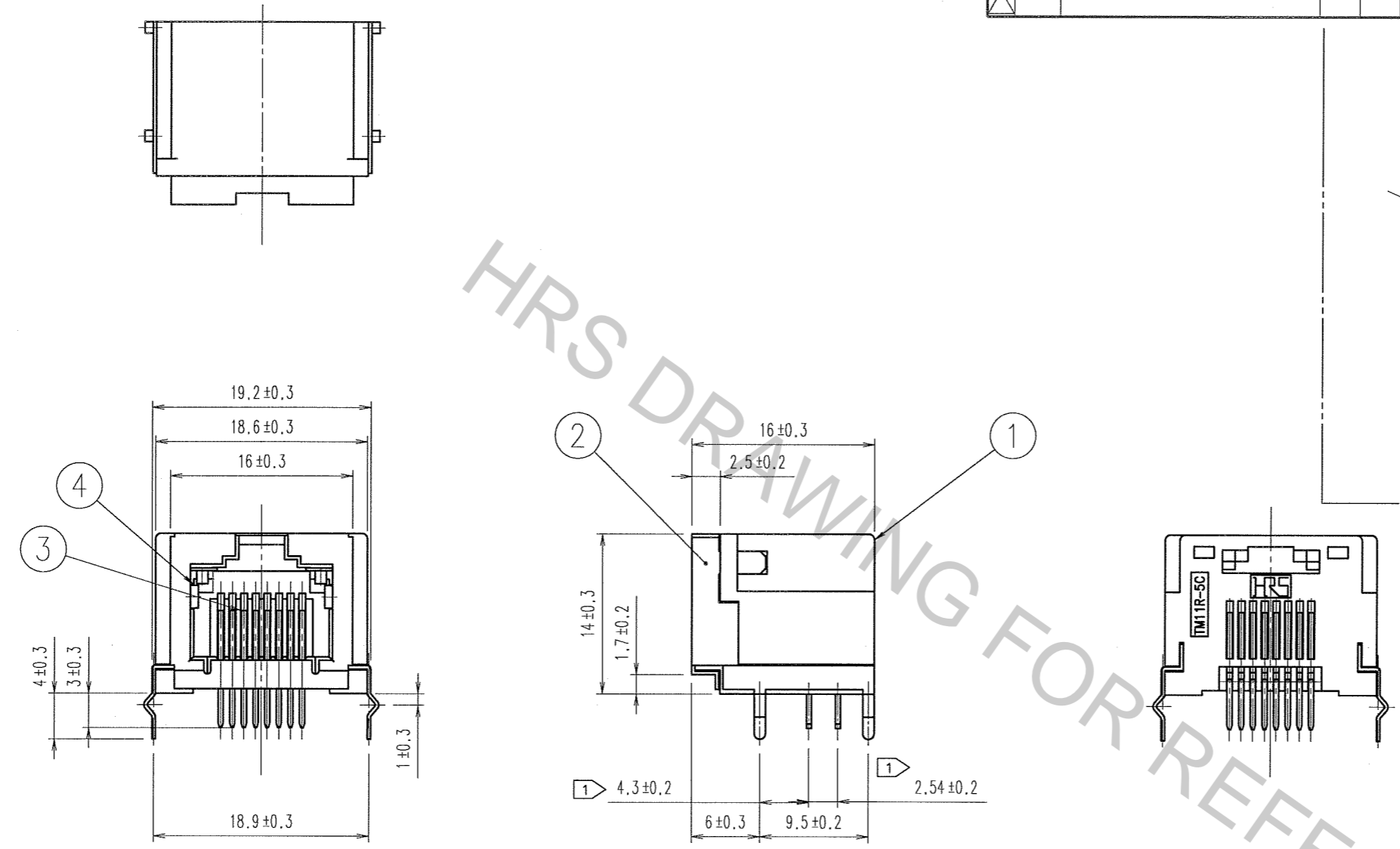
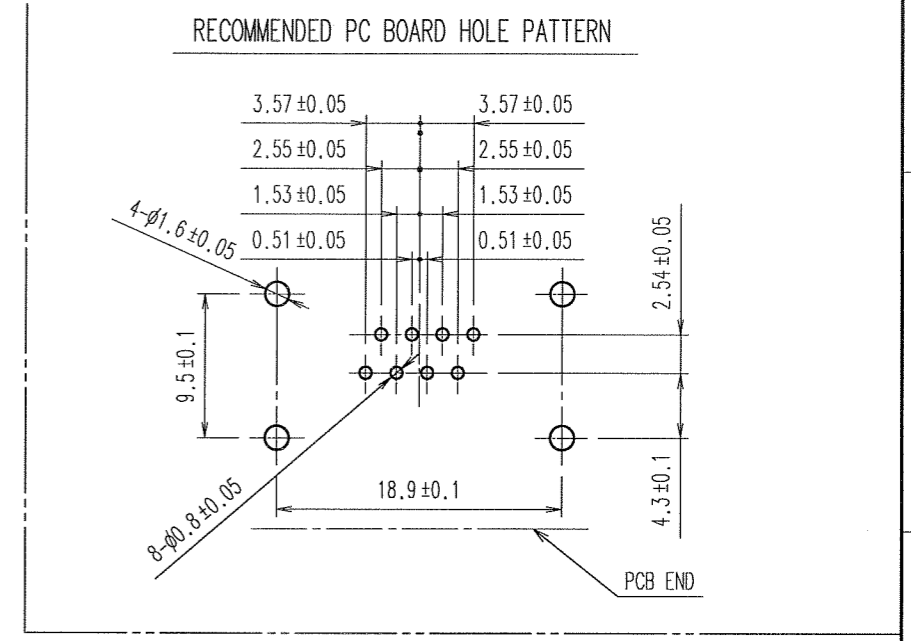


Oct.1.2018 Copyright 2018 HIROSE ELECTRIC CO., LTD. All Rights Reserved.
 In case that the application demands a high level of reliability, such as automotive,
 please contact a company representative for further information.

COUNT	DESCRIPTION OF REVISIONS	BY	CHKD	DATE	COUNT	DESCRIPTION OF REVISIONS	BY	CHKD	DATE



NOTE ① DIMENSION OF CONTACT POSITION SHOWS THE DIMENSION OF CONTACT AT THE BASE.
 ② CONTACT PLATING: 1.27μm GOLD IN CONTACT AREA.
 0.03μm GOLD IN DIP AREA.

2	BRASS	TIN REFLOW PLATING	4	PHOSPHOR BRONZE	TIN REFLOW PLATING
1	PBT	BLACK	3	PHOSPHOR BRONZE	SELECTIVE GOLD PLATING
NO.	MATERIAL	FINISH, REMARKS	NO.	MATERIAL	FINISH, REMARKS

CODE NO. (OLD)	DRAWN	DESIGNED	CHECKED	APPROVED	RELEASED
	<i>G. Sato</i> 05.10.04	<i>F. Soniguchi</i> 05.10.04	<i>Y. Enami</i> 05.10.07	<i>A. Miura</i> 05.10.13	

SCALE	DRAWING NO.	PART NO.
2 : 1	EDC3-025823-01	TM11R-5C-88(50)
UNITS	CODE NO.	
mm	CL222-1378-0-50	

TO
BTC
USA