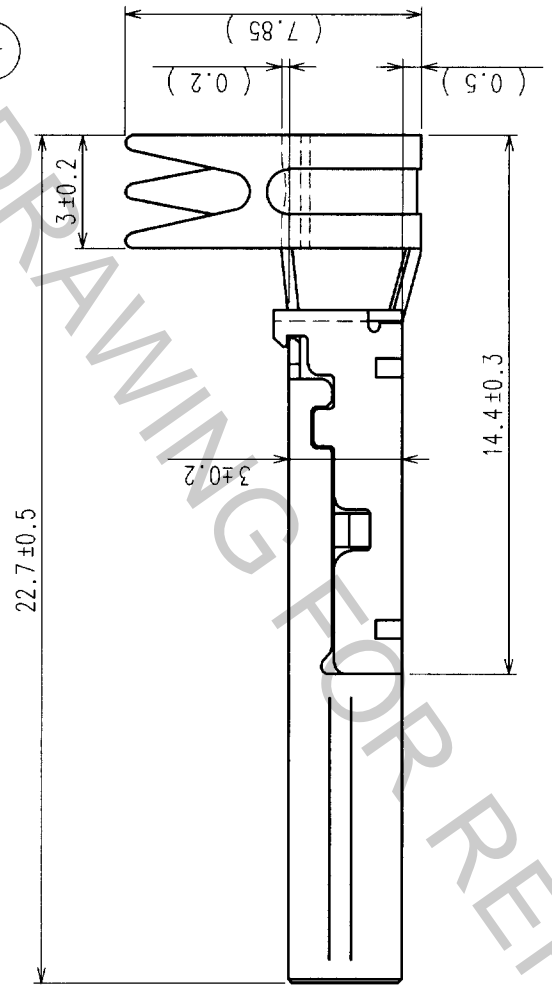
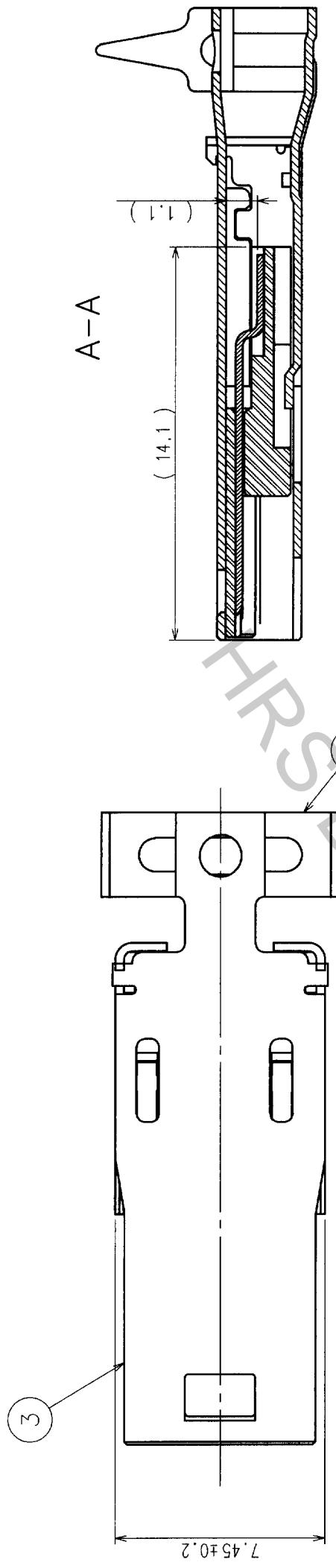
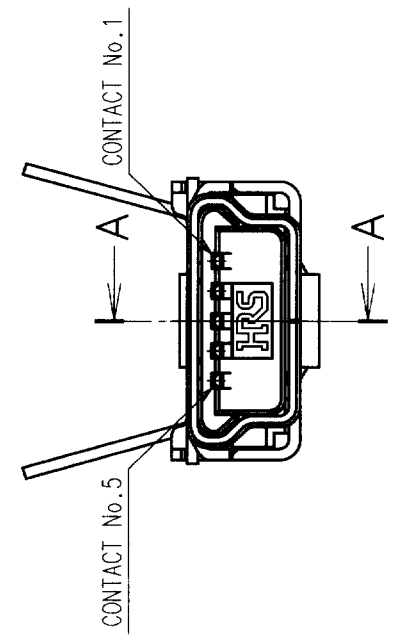
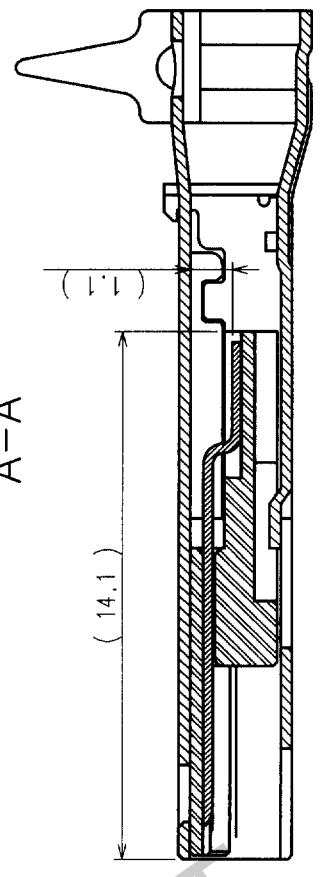


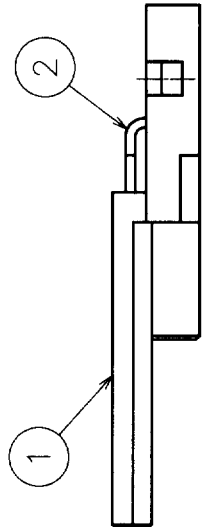
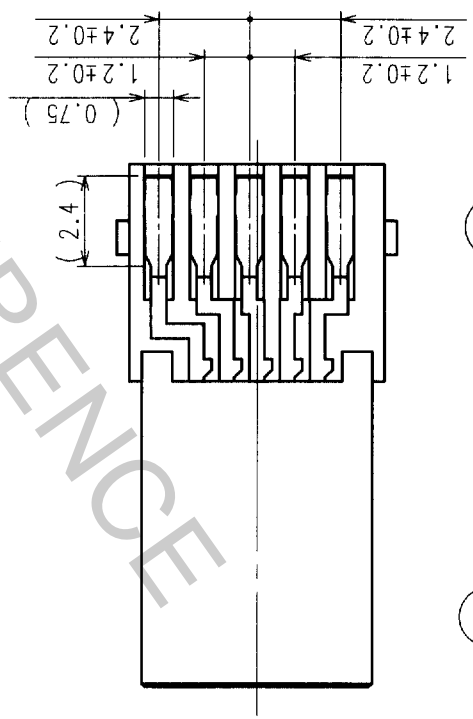
NO.	REVISIONS	BY	CHKD	DATE	COUNT	DESCRIPTION OF REVISIONS	BY	CHKD	DATE
1	RE-E-08442	M.K	A.f	02.02.22	1				



A-A



CONNECTOR UNIT



NOTES 1 INTERFACE DIMENSIONS CONFORM TO USB2.0 STANDARDS.(Mini-B)  
 2 COMPONENTS OF REF.NO. ③ AND ④ ARE APPENDED PRODUCTS.  
 ③ THE DIAMETER OF A CABLE SHOULD FOLLOW φ 4.1 TO φ 4.6 AS A GUIDE.  
 (IT CHANGES A LITTLE WITH HARDNESS OF A SHEATH ETC.)

NO.	COPPER ALLOY	SELECTED GOLD PLATING	4	STELL	TIN ALLOY PLATING
1	PBT	BLACK UL94V-0	3	STELL	TIN ALLOY PLATING
NO.	MATERIAL	FINISH, REMARKS	NO.	MATERIAL	FINISH, REMARKS
CODE NO. (OLD)					
DRAWN		M.KENJO	DESIGNED	M.KENJO	CHECKED
DATE		01.12.18	DATE	01.12.18	DATE
DRAWING NO.		EDC3-123440		PART NO.	
SCALE		5 : 1		UX40A-MB-5P	
UNITS		mm		CODE NO.	
				CL240-0005-0	

TO