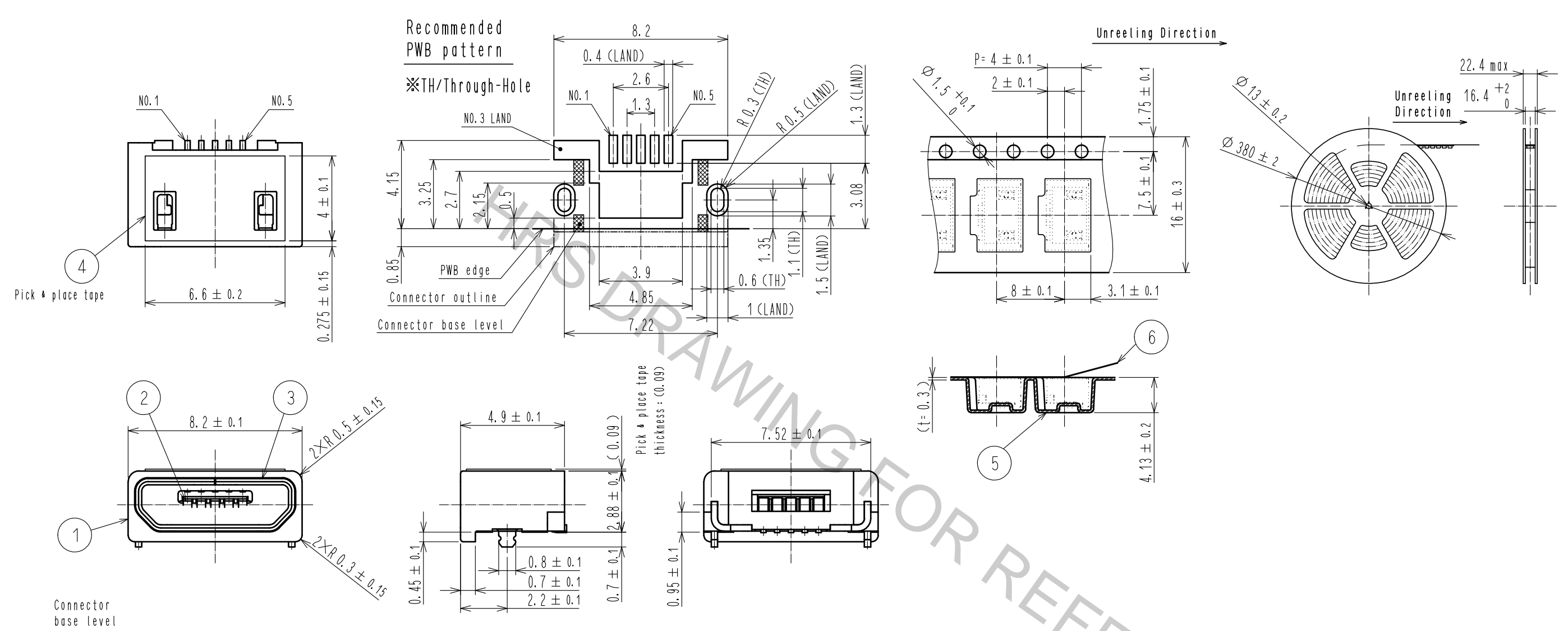


Oct.1.2018 Copyright 2018 HIROSE ELECTRIC CO., LTD. All Rights Reserved.
 In case that the application demands a high level of reliability, such as automotive,
 please contact a company representative for further information.

Drawing for packing (FREE)



- Remark) 1. Co-planarity is within 0.08mm
 2. Plating
 Contact area: Palladium -Nickel 0.75um MIN + Gold 0.05um MIN
 Lead area: Gold 0.05um MIN
 Under plating: Nickel 2um MIN
 3. Opening area shape: Conform to USB2.0 standard
 4. Per reel: 3000 pcs

3	Stainless-Steel	Gold 0.01μm min (Selective mating and soldering area) Lubricant	6	PE	Top cover tape
2	Copper-Alloy		5	PS	Embossed carrier tape
1	LCP	Black UL94V-0	4	PI	Pick & place tape
NO.	MATERIAL	FINISH . REMARKS	NO.	MATERIAL	FINISH . REMARKS
UNITS mm		SCALE 5 : 1	COUNT 1	DESIGNED TY. MIURA	CHECKED NM. NISHIMATSU
APPROVED : RI. TAKAYASU		11.06.20		DRAWING NO. EDC3-126992-02	
CHECKED : TA. ASO		11.06.20		PART NO. ZX62WD1-B-5PC	
DESIGNED : WR. YAMADA		11.06.20		CODE NO. CL242-0121-3-00	
DRAWN : WR. YAMADA		11.06.20		1/1	