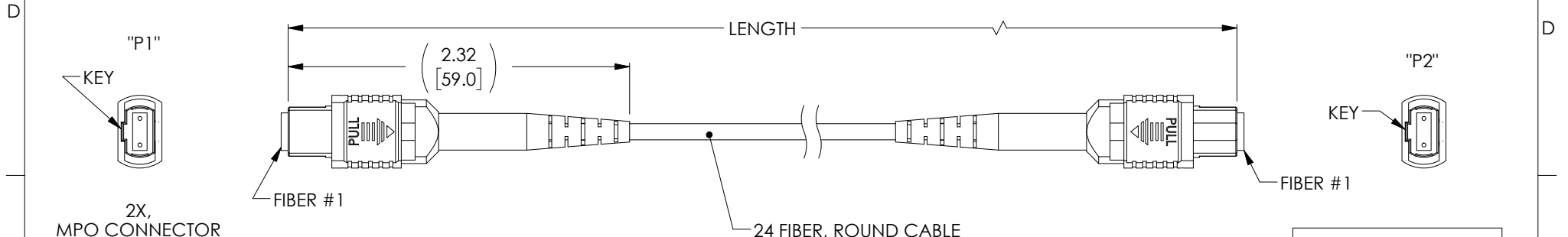


THE INFORMATION CONTAINED IN THIS DRAWING IS THE SOLE PROPERTY OF L-COM, INC. ANY REPRODUCTION IN PART OR WHOLE WITHOUT THE WRITTEN PERMISSION OF L-COM, INC. IS PROHIBITED.

REVISIONS			
REV	DESCRIPTION	DATE	APPROVED
A	INITIAL RELEASE	3/27/18	D.FRISIELLO



2X,
MPO CONNECTOR
WITHOUT
ALIGNMENT PINS

WIRING MAP		
"P1"	CABLE BUFFER COLOR	"P2"
1	BLUE	13
2	ORANGE	14
3	GREEN	15
4	BROWN	16
5	GRAY	17
6	WHITE	18
7	RED	19
8	BLACK	20
9	YELLOW	21
10	VIOLET	22
11	ROSE	23
12	AQUA	24
13	BLUE	1
14	ORANGE	2
15	GREEN	3
16	BROWN	4
17	GRAY	5
18	WHITE	6
19	RED	7
20	BLACK	8
21	YELLOW	9
22	VIOLET	10
23	ROSE	11
24	AQUA	12

PART NUMBER	FIBER MODE	JACKET TYPE	COLOR	METERS [FEET]
MPFF24OM3-1	50/125 MULTIMODE OM3 LASER OPTIMIZED	LOW SMOKE ZERO HALOGEN	AQUA	1.0 [3.28]
MPFF24OM3-3				3.0 [9.84]
MPFF24OM3-5				5.0 [16.41]
MPFF24OM3-10				10.0 [32.81]
MPFF24OM4-1	50/125 MULTIMODE OM4 LASER OPTIMIZED	LOW SMOKE ZERO HALOGEN	AQUA	1.0 [3.28]
MPFF24OM4-3				3.0 [9.84]
MPFF24OM4-5				5.0 [16.41]
MPFF24OM4-10				10.0 [32.81]

- NOTES:
1. MPO CONNECTOR MULTIMODE ASSEMBLY POLISH TYPE: UPC
 2. ALL CONNECTORS ACCOMPANIED WITH A DUST CAP INSTALLED (NOT SHOWN).
 3. CABLE ASSEMBLY SHALL BE INDIVIDUALLY PACKAGED IN ACCORDANCE WITH L-COM SPECIFICATION PS-0031.

REGULATORY COMPLIANCE:
CE2011/65/EU(RoHS DIRECTIVE)

UNLESS OTHERWISE SPECIFIED, DIMENSIONS ARE IN INCHES [mm] OVERALL CABLE LENGTH TOLERANCE: ≤12 [305] = +1 [25] / -0 >12 [305] ≤60 [1524] = +2 [51] / -0 >60 [1524] ≤120 [3048] = +4 [102] / -0 >120 [3048] ≤300 [7620] = +6 [152] / -0 >300 [7620] = +5% / -0% ALL OTHER DIMENSIONAL TOLERANCES: .X = ± .2 [5.08] .XX = ± .02 [5.1] .XXX = ±.005 [1.3]	APPROVALS DRAWN BY G.HUAN CHECKED BY D.FRISIELLO APPROVED BY D.GUITADAURO	DATE 03/15/18 3/22/18 3/27/18	50 HIGH STREET NORTH ANDOVER, MA 01845
	CONFIGURATION DETAILS OF UNDIMENSIONED FEATURES MAY VARY		CATEGORY FIBER OPTICS
	COLOR VARIATIONS MAY OCCUR		PRODUCT DESCRIPTION 24 Fiber MPF-MPF LSZH AQU
	PROJECTION 	SIZE A	FSCM NO. 43321

SCALE: NONE CAD FILE: MPFF24.SLDDRW SHEET 1 OF 1