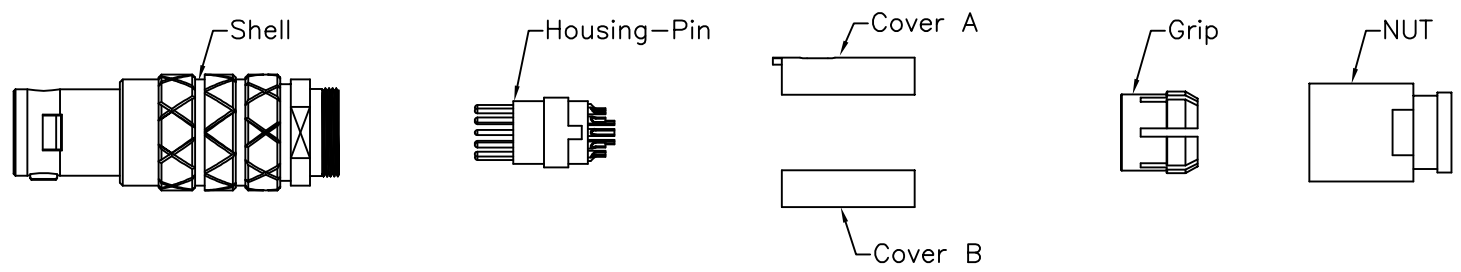
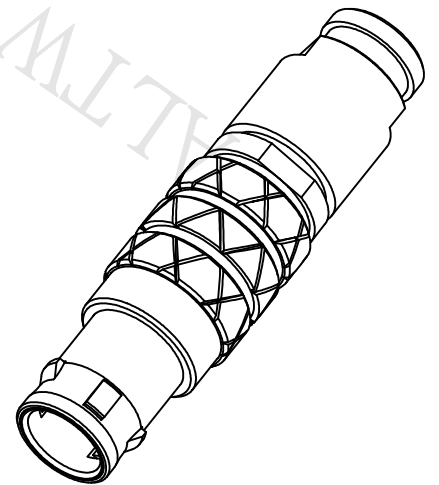
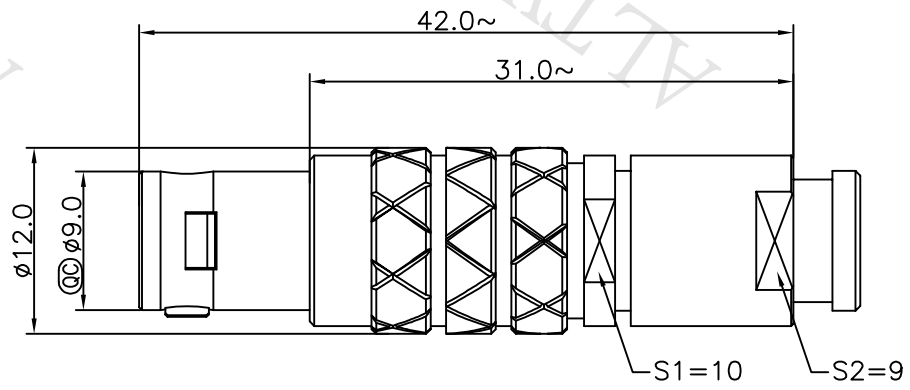


REV.	DESCRIPTION
01	New Initial.

THIS DOCUMENT IS SUBJECT TO CHANGE WITHOUT NOTICE. IT IS CONFIDENTIAL AND A PROPERTY OF Amphenol LTW. DISCLOSURE TO THIRD PARTY HAS TO BE AUTHORIZED BY Amphenol LTW.



Notes:  
 \*  $\textcircled{C}$  Important Dimensions To Check.  
 \* Male Pin: Copper Alloy, Gold Plated.

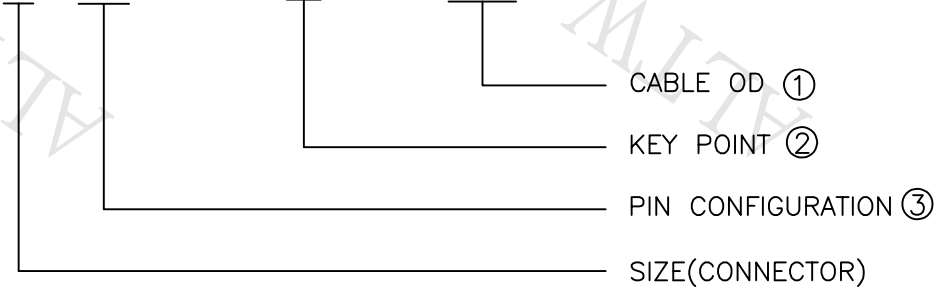
UNIT:mm 	TITLE FLO 1B FI CONNECTOR		<b>Amphenol LTW</b> 安費諾亮泰企業股份有限公司	ITEM NO FLBC-XXFGMS-XCP-2XX	DRAWN BY Ouyang	DATE 2018/09/06
	TOLERANCE $\pm 0.5\text{MM}$	SCALE Free		SHEET 1 OF 2	DWG NO FLBC-XXFGMS-XCP-2XX	CHECKED BY Mafei
REV. 01	SIZE A4	$\textcircled{C}$ : Inspection Item	CUSTOMER ALTW	APPROVED BY Jerry	DATE 2018/09/06	

THIS DOCUMENT IS SUBJECT TO CHANGE WITHOUT NOTICE. IT IS CONFIDENTIAL AND A PROPERTY OF Amphenol LTW. DISCLOSURE TO THIRD PARTY HAS TO BE AUTHORIZED BY Amphenol LTW.

1                      2                      3                      4                      5                      6                      7                      8

1B-SERIES CABLE COLLET(CABLE OD)			
CABLE CLAMP SET		CABLE DIA RANGE	
TYPE	CODE ①	MAX	MIN
FLBC-XXFGMS-XCP-2XX	02	3.2	2.7
	04	4.2	3.2
	07	5.2	4.2
	11	6.2	5.2
	14	7.2	6.2

FLBC-XXFGMS-XCP-2XX



KEY POINT ②

CODE	G	A	B	C	J	F
	0°	30°	60°	90°	45°	155°
GRAPHIC						

PIN CONFIGURATION (Solder Definition) ③

GRAPHIC										
	2 PIN	3 PIN	4 PIN	5 PIN	6 PIN	7 PIN	8 PIN	10 PIN	14 PIN	16 PIN

UNIT:mm		TITLE FLO 1B FI CONNECTOR	
TOLERANCE	±0.5MM	SCALE Free	SHEET 2 OF 2
REV.	01	SIZE A4	◎ :Inspection Item

**Amphenol LTW**  
安費諾亮泰企業股份有限公司

ITEM NO FLBC-XXFGMS-XCP-2XX	DRAWN BY Ouyang	DATE 2018/09/06
DWG NO FLBC-XXFGMS-XCP-2XX	CHECKED BY Mafei	DATE 2018/09/06
CUSTOMER ALTW	APPROVED BY Jerry	DATE 2018/09/06