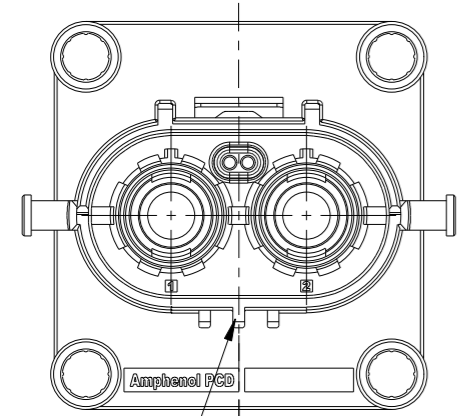
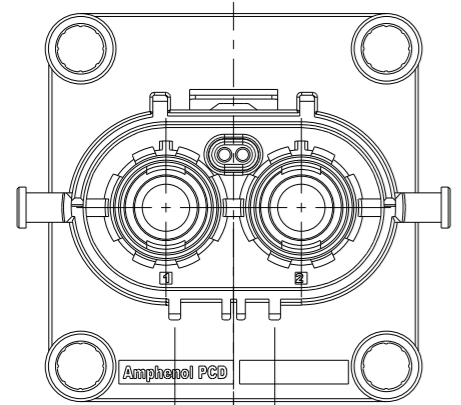


CUSTOMER DRAWING

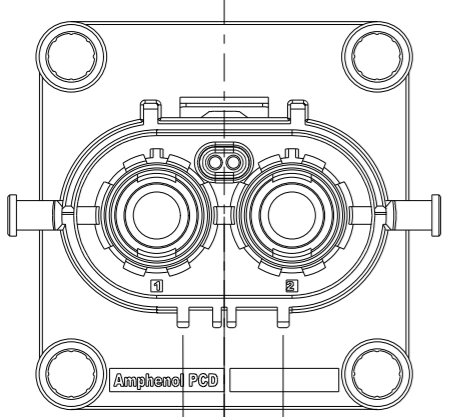
REV	ECN	DESCRIPTION	DATE	MODIFIED
1		PRE-RELEASE	25/04/16	Robin Yuan
2			29/07/16	Robin Yuan
3		CHANGE DESCRIPTION	12/04/17	CELINE.XIE
4	R0068	ADD DUST CAP	09/22/17	Celine.xie



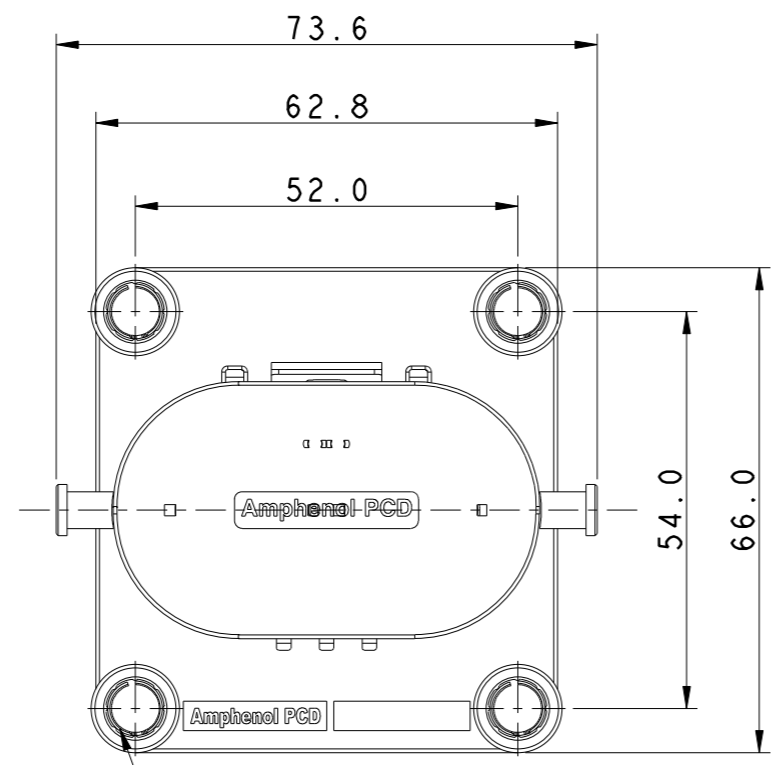
KEY 0  
 HVSL800022AXXX  
 CODING A



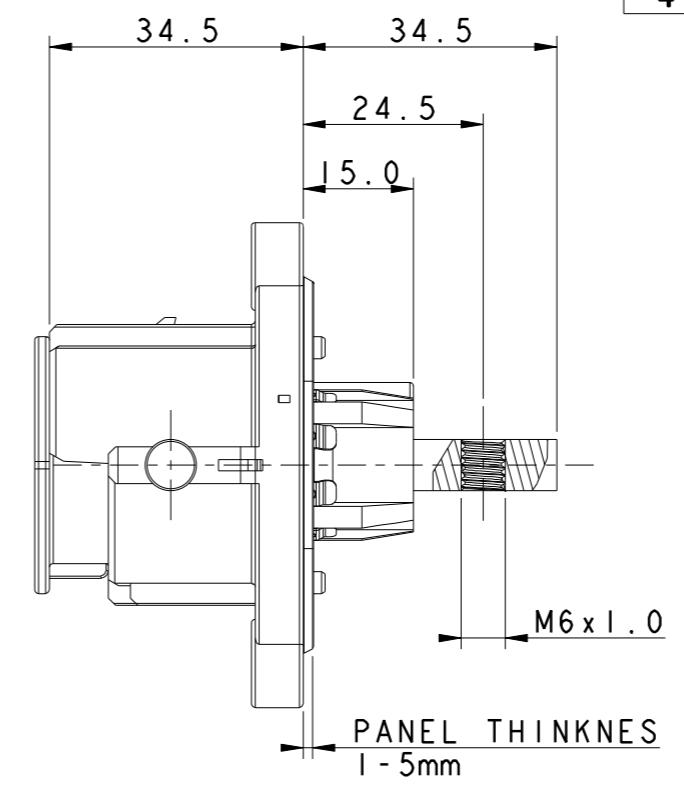
10 7  
 HVSL800022BXXX  
 CODING B



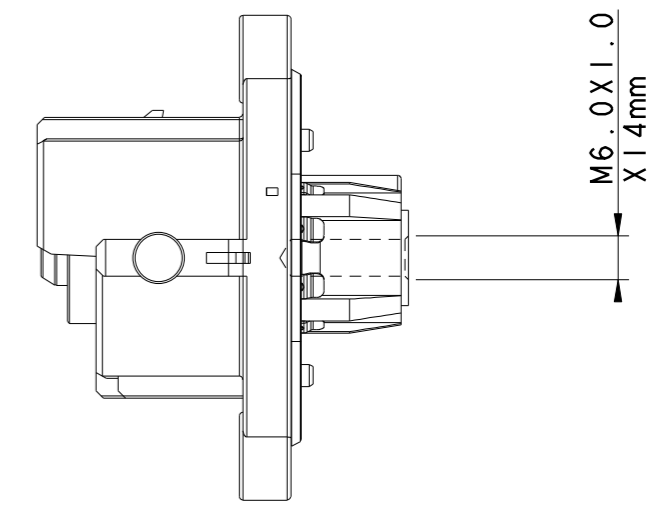
7 10  
 HVSL800022CXXX  
 CODING C



M6 SCREW AND WASHER APPLICABLE



POWER CONTACT HOLE TERMINATION



POWER CONTACT SCREW TERMINATION-INTERNAL

HOW TO ORDER

HVSL 800 02 2X X XX  
 A: CODING A    0: WITHOUT HVIL    H6: HOLE TERMINATION (M6 THREAD)  
 B: CODING B    1: WITH HVIL            D6: SCREW TERMINATION-INTERNAL (M6 THREAD)  
 C: CODING C

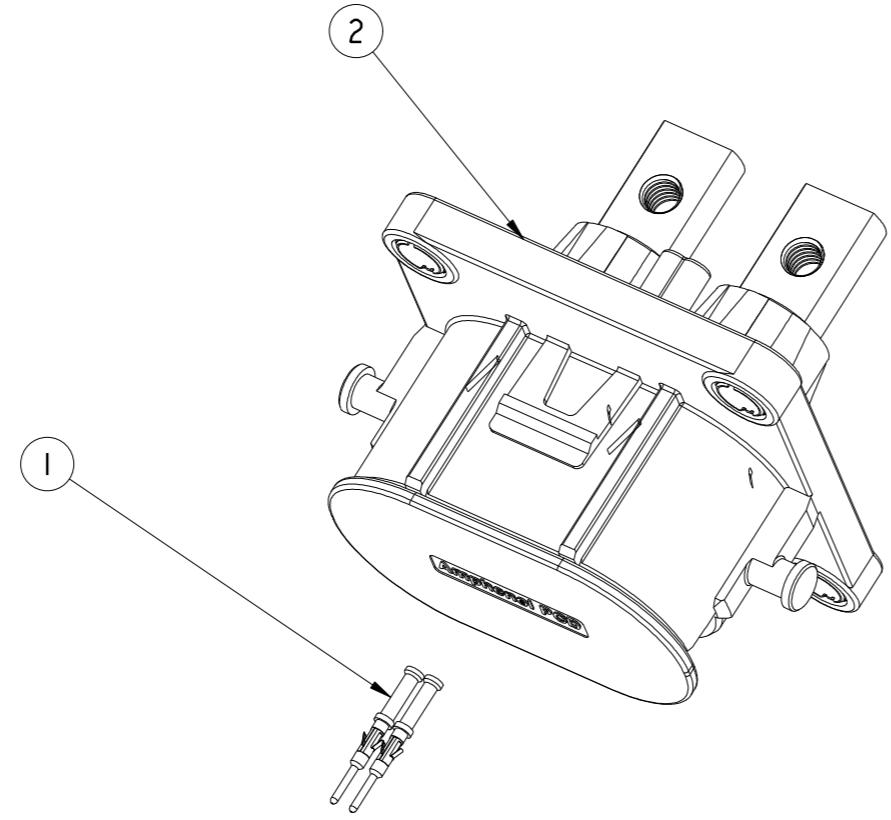
NOTES:

- MATERIAL & FINISH:**  
 PLASTIC BODY: THERMOPLASTICS UL 94V-0 ORANGE COLOR  
 POWER CONTACT: COPPER ALLOY SILVER PLATED
- ELECTRONICAL CHARACTERISTICS:**  
 HIGH VOLTAGE RATED 1000 V DC MAX.  
 CURRENT RATED 180A MAX(AMBIENT TEMPERATUR:70°C)  
 CURRENT RATED 200A MAX(AMBIENT TEMPERATUR:60°C)  
 WITHSTANDING VOLTAGE 3000 V AC  
 PRODUCTS ARE COMPLIANCE WITH EN 60664-1 POLLUTION II
- ENVIROMENT CHARACTERISTICS:**  
 IP67 IP6K9K RATED (WHEN MATING)  
 IP2XB RATED FOR FINGER TOUCH-PROOF

<b>DIMENSIONS</b> ANSI Y14.5M UNITS: MM Pro/E FILE	<b>TOLERANCES</b> .X ±0.3 .XX ±0.10 ANGLES ±0.5°	<b>PROJECTION</b> 	TITLE <b>HVSL 800 02 2 X X XX RECEPTACLE ASSEMBLY</b>		
			Amphenol Pcd Shenzhen ENGR Robin Yuan 25/04/16 CHKD APPD <i>Sembao</i>		SIZE <b>A3</b>
ORIGINAL NOT FOR CUSTOMER DISTRIBUTION	THIS DOCUMENT CONTAINS PROPRIETARY INFORMATION WHICH IS THE CONFIDENTIAL PROPERTY OF AMPHENOL PCD SHENZHEN		CODE: 58982	SCALE: 1:1	SHEET 1 OF 3

C-HVSL800022XXXX

C-HVSL800022XXXX



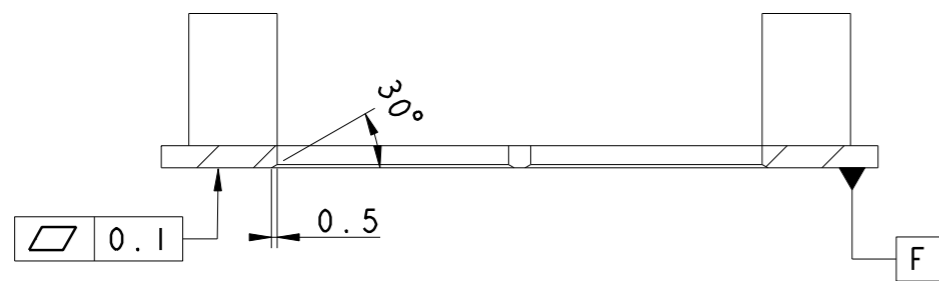
C-HVSL800022XXXX

C-HVSL800022XXXX

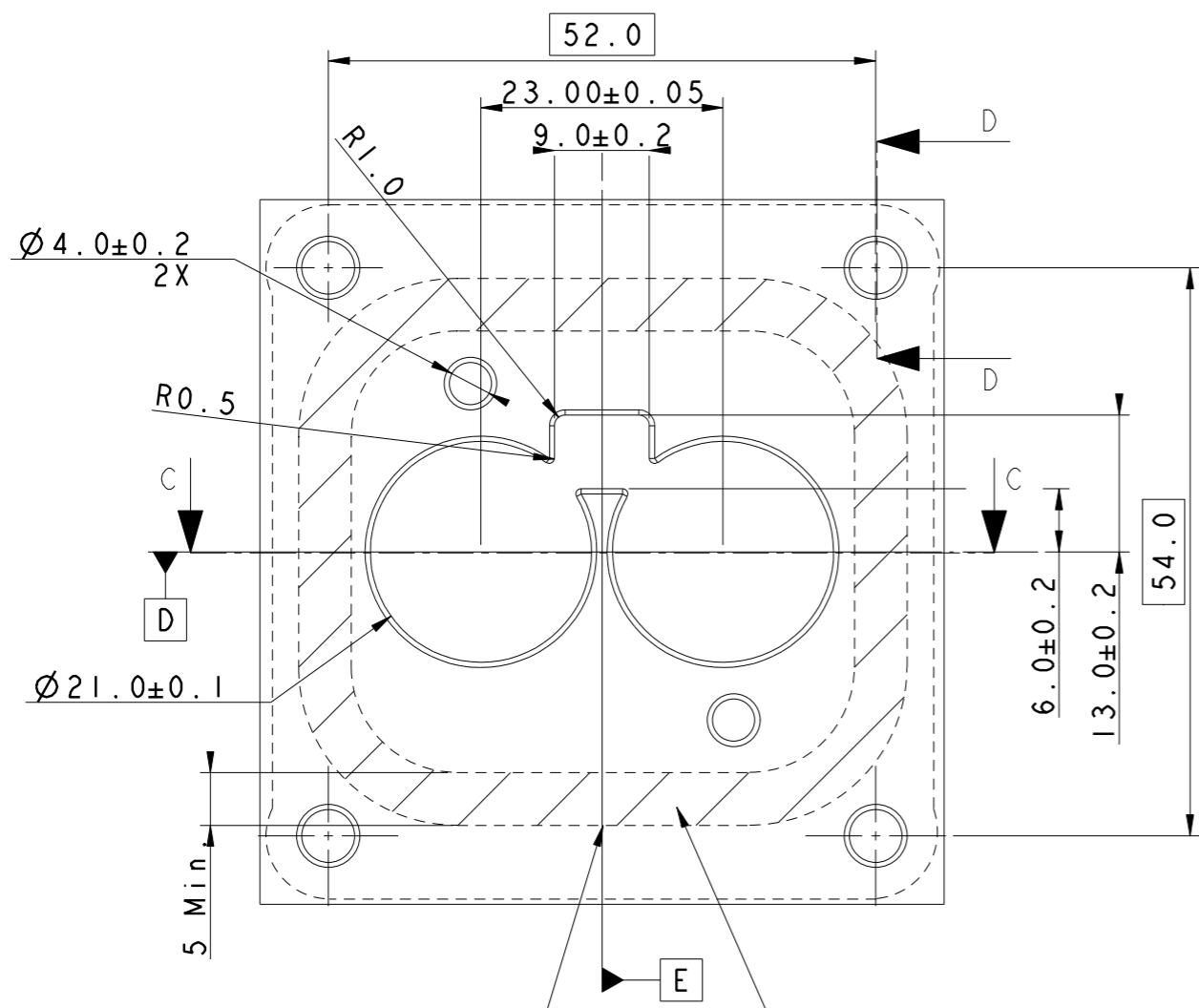
2	HVSL800022	RECEPTACLE BODY(A,B,C)	1	NA
1	C420003643	HVIL PIN	2	可选
ITEM	PART NO.	DESCRIPTION	Q'TY	REMARK

SIZE	DWG NO.	REV
A3	C-HVSL800022XXXX	4
CODE: 58982	SCALE: 1:1	SHEET 2 OF 3

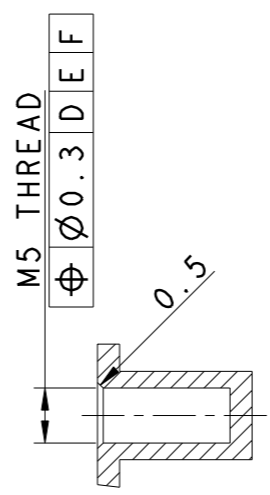
# PANEL DRILLING



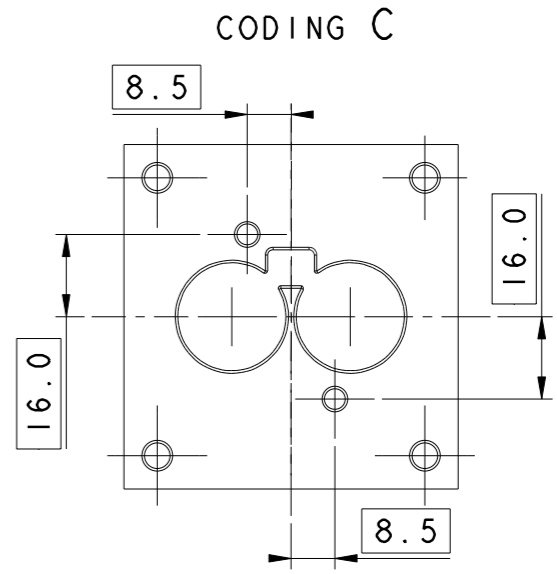
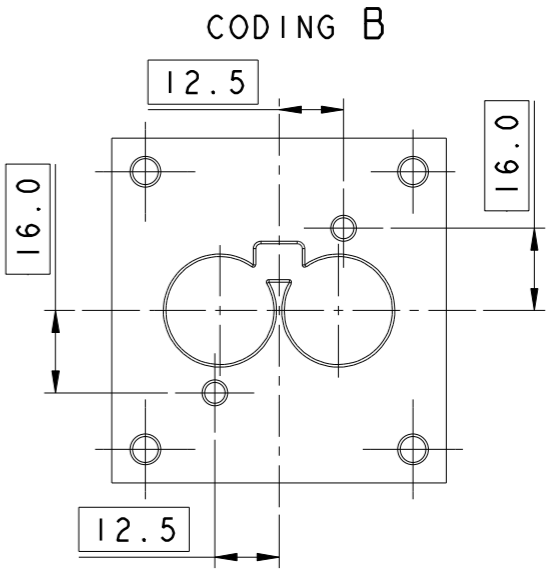
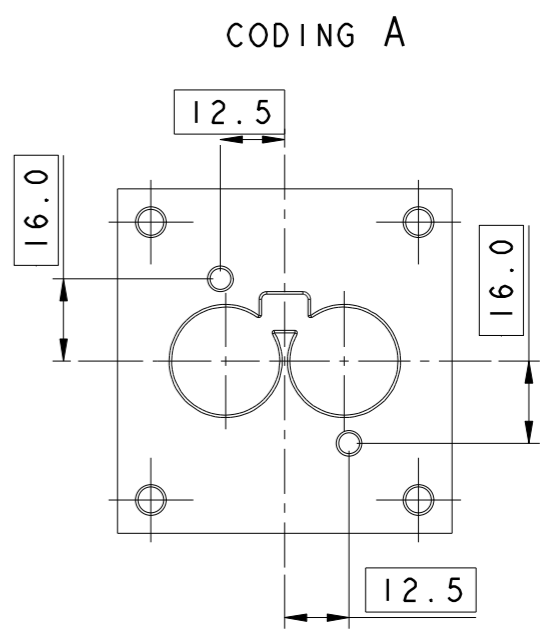
SECTION C-C



RECEPTACLE OUTLINE 5 Min SEALING AREA 1.6



SECTION D-D



C-HVSL800022XXXX

C-HVSL800022XXXX

SIZE <b>A3</b>	DWG NO. <b>C-HVSL800022XXXX</b>	REV <b>4</b>
CODE: 58982	SCALE: 1:1	SHEET 3 OF 3