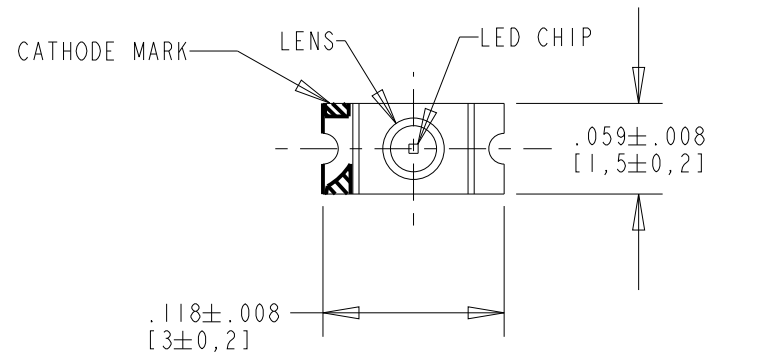


OPERATING CHARACTERISTICS AT 25 °C AMBIENT

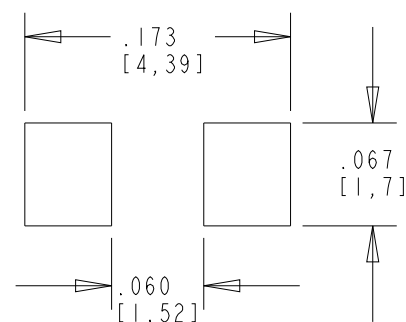
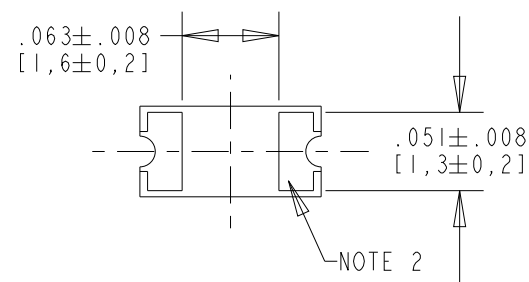
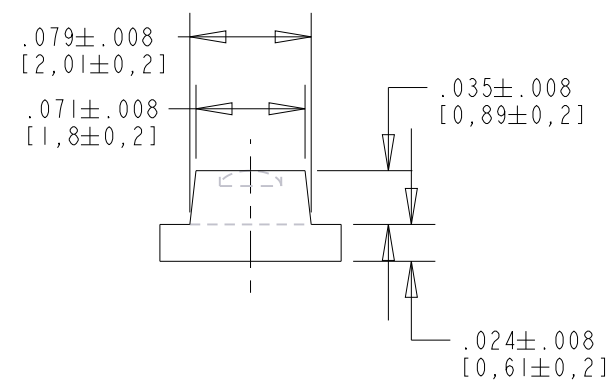
DIALIGHT P/N	COLOR	LENS COLOR	I _F (mA)	FORWARD VOLTAGE (V)		LUMINOUS INTENSITY (mcd)		PEAK WAVELENGTH (nm)	DOMINANT WAVELENGTH (nm)			REVERSE CURRENT (μA)	VIEWING ANGLE (2θ 1/2)	
				TYP.	MAX.	MIN.	TYP.		MAX.	MIN.	TYP.	MAX.		(V _R = 4 V)
597-3311-402NF, -407NF	GREEN	CLEAR	20	2.1	2.5	17	30	48	560	560	567	575	100	70
597-3401-407NF, -402NF	YELLOW	CLEAR	20	2.2	2.5	8.3	20	33.6	580	589	592	595	100	70

REV	ECN NO	REVISIONS	DRN	CKD	APP	DATE
A		NEW RELEASE	RSK	WFB	NO	11-12-14



NOTES:

1. DIE: GaP (GREEN) AND GaAsP (YELLOW LED).
2. SOLDER PADS TO BE GOLD PLATED.
3. SUFFIX -402 FOR 20-PCS ON A SAMPLE TAPE STRIP.
4. SUFFIX -407 FOR 7" DIA. REEL, .312" WIDE TAPE, PACKAGED 2500-PCS PER REEL WITH A PITCH OF .158".
5. DEVICES POSITIONED ON REEL WITH CATHODE SIDE TOWARDS SPROCKET.
6. TAPE AND REEL LEDS MAY REQUIRE RE-TAPING AFTER TWELVE MONTHS.
7. DIALIGHT PART NUMBER: 597-3311-402NF & 597-3311-407NF, 597-3401-402NF & 597-3401-407NF.
8. THIS PRODUCT IS Pb FREE. IT IS IN COMPLIANCE WITH THE EUROPEAN UNION'S ROHS DIRECTIVE. EACH BAG AND REEL IS MARKED WITH THE ROHS COMPLIANT LABEL P/N 9100-117-0852-99 OR EQUIVALENT
9. THIS ASSEMBLY CONTAINS ELECTROSTATIC DISCHARGE SENSITIVE DEVICES (ESDS). MAINTAIN ALL PRECAUTIONARY MEASURES DURING ASSEMBLY, HANDLING, AND STORAGE IN ACCORDANCE WITH IPC-A-610.



RECOMMENDED SOLDER PAD LAYOUT

ABSOLUTE MAXIMUM RATING AT 25°C AMBIENT	GREEN	YELLOW	UNITS
POWER DISSIPATION	75	75	mW
CONTINUOUS FORWARD CURRENT	30	30	mA
PEAK FORWARD CURRENT	70	70	mA
DERATE LINEAR FROM 75 °C	1.0	1.0	mA/°C
PEAK REVERSE VOLTAGE (I _R = 100 μA)	4	4	V
OPERATING TEMPERATURE	-40 TO +100	-40 TO +100	°C
STORAGE TEMPERATURE	-40 TO +120	-40 TO +120	°C

THIS DRAWING AND THE CONTENTS HEREIN ARE CONFIDENTIAL AND THE SOLE PROPERTY OF DIALIGHT. REPRODUCTION OF THIS DRAWING OR CONSTRUCTION OF ANY PARTS WITHIN THIS DRAWING ARE FORBIDDEN WITHOUT THE WRITTEN CONSENT OF DIALIGHT.

SCALE: AS SHOWN INCHES (MM)	DRAWING NUMBER	REV
TOLERANCES: UNLESS OTHERWISE SPECIFIED	C-18123	A
FRACTIONS: ±1/64	TITLE GREEN AND YELLOW 1206 SM LED	
DECIMALS (.XX): ±.020	MATERIAL	
DECIMALS (.XXX): ±.015	Dialight 1501 ROUTE 34 SOUTH FARMINGDALE, NJ 07727	
ANGLES: ±1°	FSCM 83330	
FINISH:	SHEET 1 OF 1 FAMILY TABLE:	