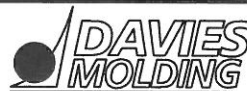


PART NAME: KNOB SCALE: 1:1 DATE: 11/1/16 DR. BY JAM

THIS DRAWING IS THE PROPERTY OF DAVIES MOLDING COMPANY, IS SUBMITTED SOLELY AS A DESIGN OR ENGINEERING PROJECT. WE ACCEPT NO RESPONSIBILITY WHATSOEVER FOR THE PRACTICAL APPLICATION OF THE PIECES MADE TO THIS DESIGN.

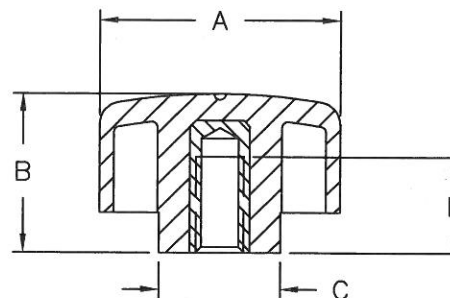
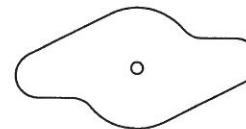


DESIGNERS & MANUFACTURERS OF KNOBS, HANDLES, CASES & CUSTOM PLASTIC COMPONENTS

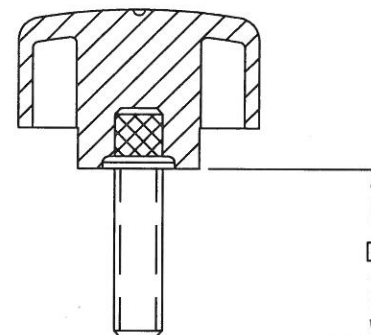
P/N 3084BJ-BP

	THREAD	A	B	C	D
3084BJ	M6 X 1	32	21	16	12
3084BK	M8 X 1.25	32	21	16	12

	THREAD	A	B	C	D
3084BL	M6 X 1	32	21	16	20
3084BM	M6 X 1	32	21	16	30
3084BN	M8 X 1.25	32	21	16	20
3084BP	M8 X 1.25	32	21	16	30



THREADED INTERNAL INSERT



THREADED STUD

KNOB MATERIAL: HIPS
COLOR: BLACK

INSERT MATERIAL: INTERNAL INSERTS ARE BRASS,
PROJECTING STUDS ARE ZINC PLATED STEEL

TOLERANCES: UNLESS OTHERWISE SPECIFIED	DO NOT SCALE DRAWING			
	MM: X.XX ± 0.15MM X.X ± 0.4MM			
	ANG. ± 1°	CHANGES		