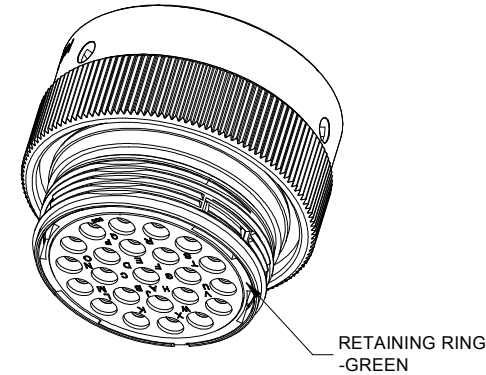
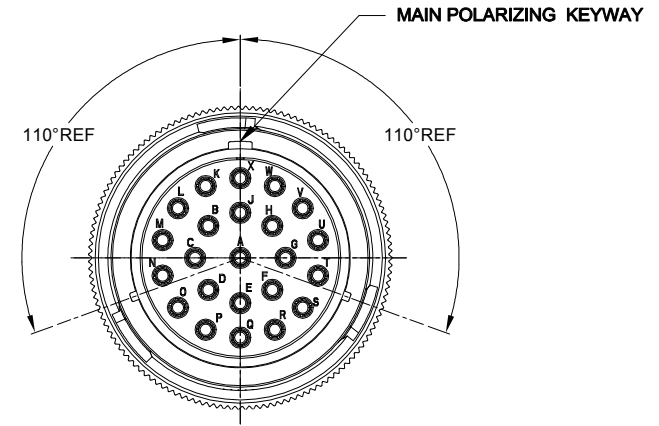
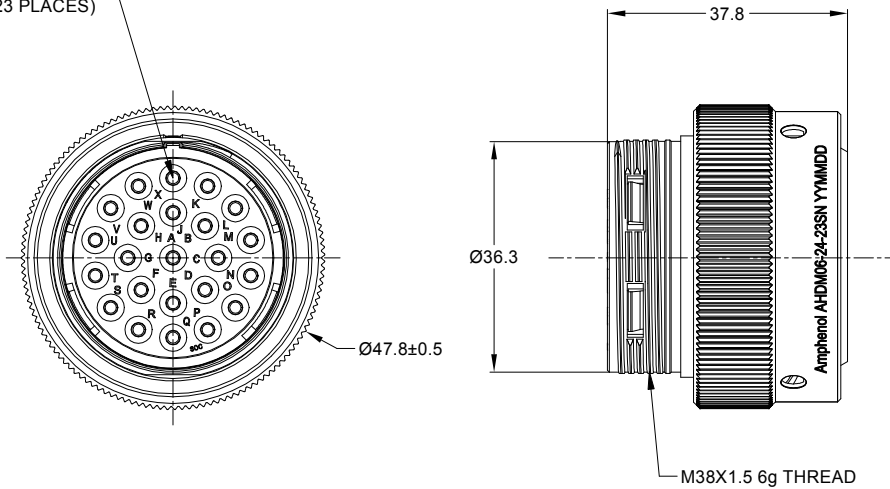


REVISIONS					
REV	ECO	DESCRIPTION	DATE	BY	APPR
A1	-	RELEASE NEW DRAWING	18/OCT/18	BROOK	TOMMY
A2	-	ADD MORE MATERIAL NOTES	25/OCT/18	BROOK	TOMMY

6 SIZE 16 CONTACTS
(23 PLACES)



NOTES: UNLESS OTHERWISE SPECIFIED

- MATERIAL:**
SHELL: ZINC ALLOY, NICKEL PLATED
COUPLING RING: ALUMINUM ALLOY, NICKEL PLATED
INSERT AND RETAINING RING: THERMOPLASTIC
SEAL: SILICONE RUBBER
- MODIFICATIONS:** THREADED HOUSING; NORMAL DIA. WIRE SEAL
- SPECIFICATIONS:**
 - OPERATING TEMPERATURE: -55°C TO +125°C.
 - DIELECTRIC WITHSTANDING VOLTAGE: LESS THAN 2 MILLIAMPS CURRENT LEAKAGE @ 1500 VOLTS AC.
 - INSULATION RESISTANCE: 1000 MEGOHM MIN @ 25°C.
 - MOISTURE RESISTANCE: IP67&IP69K (MATED CONDITION).
 - MATING CYCLE DURABILITY: 100 CYCLES
 - RoHS COMPLIANT
- MATING PART:** AHDM04-24-23P* (* = SEAL TYPE)
- ALL DIMENSIONS ARE FOR REFERENCE USE ONLY.**

6 CONTACT SIZE AND WIRE RANGE:

CONTACT SIZE	MIN. INSUL O.D.	MAX. INSUL O.D.	TYPICAL WIRE RANGE	CURRENT RATING
16	2.54mm (.100 in)	3.40 mm (.134 in)	14-20 AWG	13 AMPS

TITLE: PLUG, 24 SZ 23 SOC, N, WIDE THD
DWG NO.: AHDM06-24-23SN
REV: A2
SH: 1
OF: 1

QUANTITY	AHDM06-24-23SN	DESCRIPTION	ITEM												
	PART NUMBER														
MATERIALS LIST															
UNLESS OTHERWISE SPECIFIED 1) All dimensions are in metric(mm). 2) Tolerances are as follows: 1 PL DEC ±0.30 2 PL DEC ±0.15 3 PL DEC ±0.08 Fractions ±1/64 Angles ±1° 3) Note reference = \triangle		<table border="1"> <thead> <tr> <th>SIGNATURES</th> <th>DATE</th> </tr> </thead> <tbody> <tr> <td>DRAWN: BROOK</td> <td>25/OCT/18</td> </tr> <tr> <td>CHECKED: ORION</td> <td>25/OCT/18</td> </tr> <tr> <td>ENGINEER:</td> <td></td> </tr> <tr> <td>APPROVAL: TOMMY</td> <td>25/OCT/18</td> </tr> <tr> <td>CUSTOMER:</td> <td></td> </tr> </tbody> </table>	SIGNATURES	DATE	DRAWN: BROOK	25/OCT/18	CHECKED: ORION	25/OCT/18	ENGINEER:		APPROVAL: TOMMY	25/OCT/18	CUSTOMER:		<p style="text-align: center;">Amphenol</p> <p style="text-align: center;">Sine Systems - www.amphenol-sine.com 44724 Morley Drive Clinton Township, MI 48036</p>
SIGNATURES	DATE														
DRAWN: BROOK	25/OCT/18														
CHECKED: ORION	25/OCT/18														
ENGINEER:															
APPROVAL: TOMMY	25/OCT/18														
CUSTOMER:															
MATERIAL SPECIFICATIONS:		PLUG, 24 SZ 23 SOC, N, WIDE THD													
PROCESS SPECIFICATIONS:		THIS DRAWING IS SUPPLIED FOR INFORMATION ONLY. DESIGN FEATURES, SPECIFICATIONS AND PERFORMANCE DATA SHOWN HEREON ARE THE PROPERTY OF THE AMPHENOL CORPORATION. NO RIGHTS OF REPRODUCTION ARE IMPLIED. ALL DIMENSIONS ARE SUBJECT TO NORMAL MANUFACTURING VARIATIONS.													
NEXT ASSY:	SCALE: NONE	SIZE: B C- TYPE: NONE DWG NO.: AHDM06-24-23SN SHEET 1 OF 1	REVISION: A2												