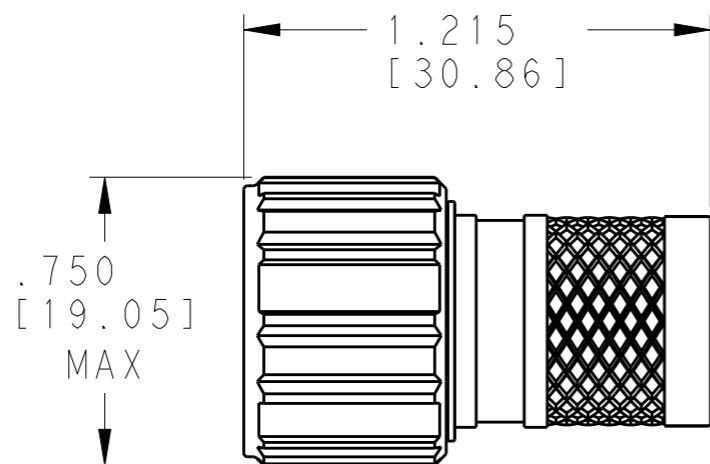
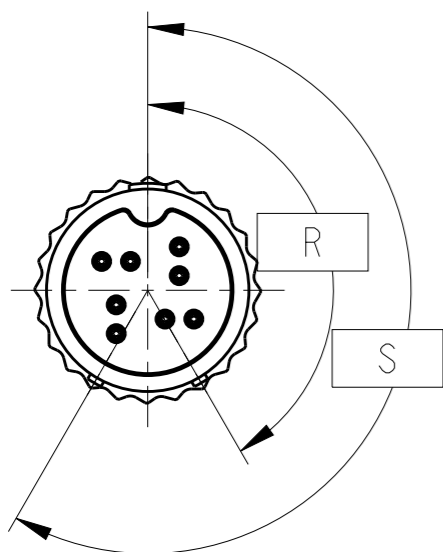


THIS DRAWING IS UNPUBLISHED. RELEASED FOR PUBLICATION
© COPYRIGHT - BY - ALL RIGHTS RESERVED.

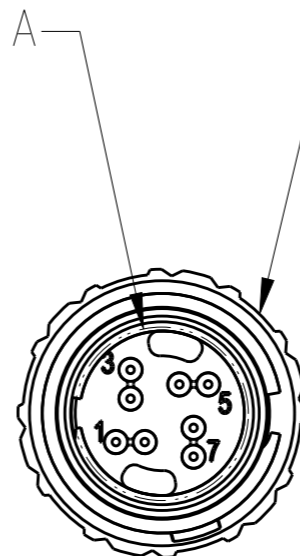
REVISIONS

P	LTR	DESCRIPTION	DATE	DWN	APVD
	E	REV PER ECO 18-007413	5-11-18	DM	CT

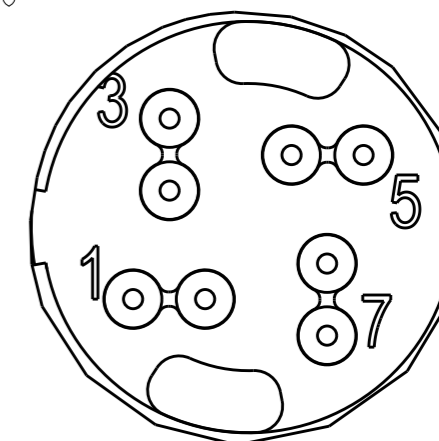
KEY OPTION	KEY ROTATION	
	"R"	"S"
NORMAL	150°	210°
A	140°	215°
B	132°	248°



SEE DETAIL A



"TE" AND DATE CODE ON 1 OF 6 SURFACES
TE PN ON ADJACENT FLAT

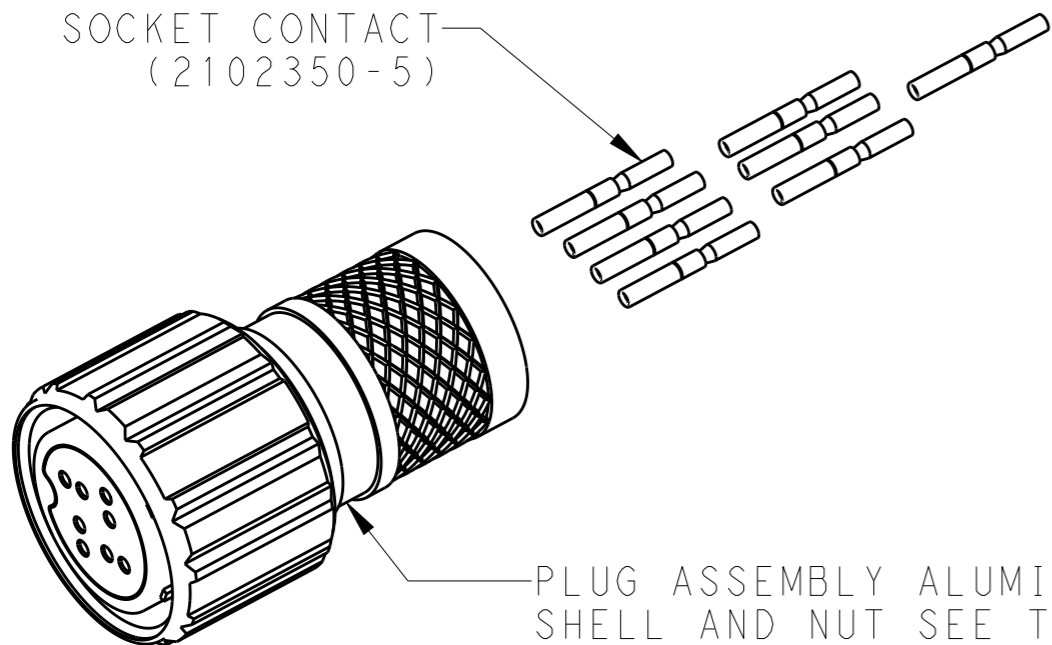


DETAIL A
SCALE 5:1

PARTS REMOVED FOR CLARIFICATION

- 1, -3 AND -5 ARE ELECTROLESS NICKEL PLATE PER MIL-C-26074.
- 2, -4 AND -6 ARE BLACK ZINC NICKEL PER AMS-2417.
- CONTACTS SHALL BE PACKAGED SEPARATELY IN KIT.

SOCKET CONTACT (2102350-5)



PLUG ASSEMBLY ALUMINUM SHELL AND NUT SEE TABLE FOR FINISH

QUANTITY	KEYING OPTION	FINISH	DESCRIPTION	PART NUMBER
10	B	BLACK ZINC NICKEL PLATE	PLUG ASSEMBLY	2102353-6
10	B	NICKEL PLATE	PLUG ASSEMBLY	2102353-5
10	A	BLACK ZINC NICKEL PLATE	PLUG ASSEMBLY	2102353-4
10	A	NICKEL PLATE	PLUG ASSEMBLY	2102353-3
10	NORMAL	BLACK ZINC NICKEL PLATE	PLUG ASSEMBLY	2102353-2
10	NORMAL	NICKEL PLATE	PLUG ASSEMBLY	2102353-1
SOCKET CONTACTS 50μ GOLD PLATE		KEYING OPTION	DESCRIPTION	PART NUMBER

THIS DRAWING IS A CONTROLLED DOCUMENT. DIMENSIONING AND TOLERANCING PER ASME Y14.5M (ISO STANDARDS)		DWN MCKIBBEN, JOHN 10 JUN 2011	STE TE Connectivity	
DIMENSIONS: INCHES [mm]		CHK DOWHOWER, KENNETH 10 JUN 2011		
TOLERANCES UNLESS OTHERWISE SPECIFIED:		APVD DOWHOWER, KENNETH 10 JUN 2011	NAME PLUG ASSEMBLY KIT	
0 PLC ±-		PRODUCT SPEC 108-2482	SIZE CAGE CODE DRAWING NO RESTRICTED TO	
1 PLC ±-		APPLICATION SPEC 114-32025	A300779 C-2102353	
2 PLC ±-		WEIGHT -	SCALE 2:1 SHEET 1 OF 1 REV E	
3 PLC ±.005 [0.13]		CUSTOMER DRAWING		
4 PLC ±-				
ANGLES ±-				
MATERIAL material_2				
FINISH finish_spec_2				