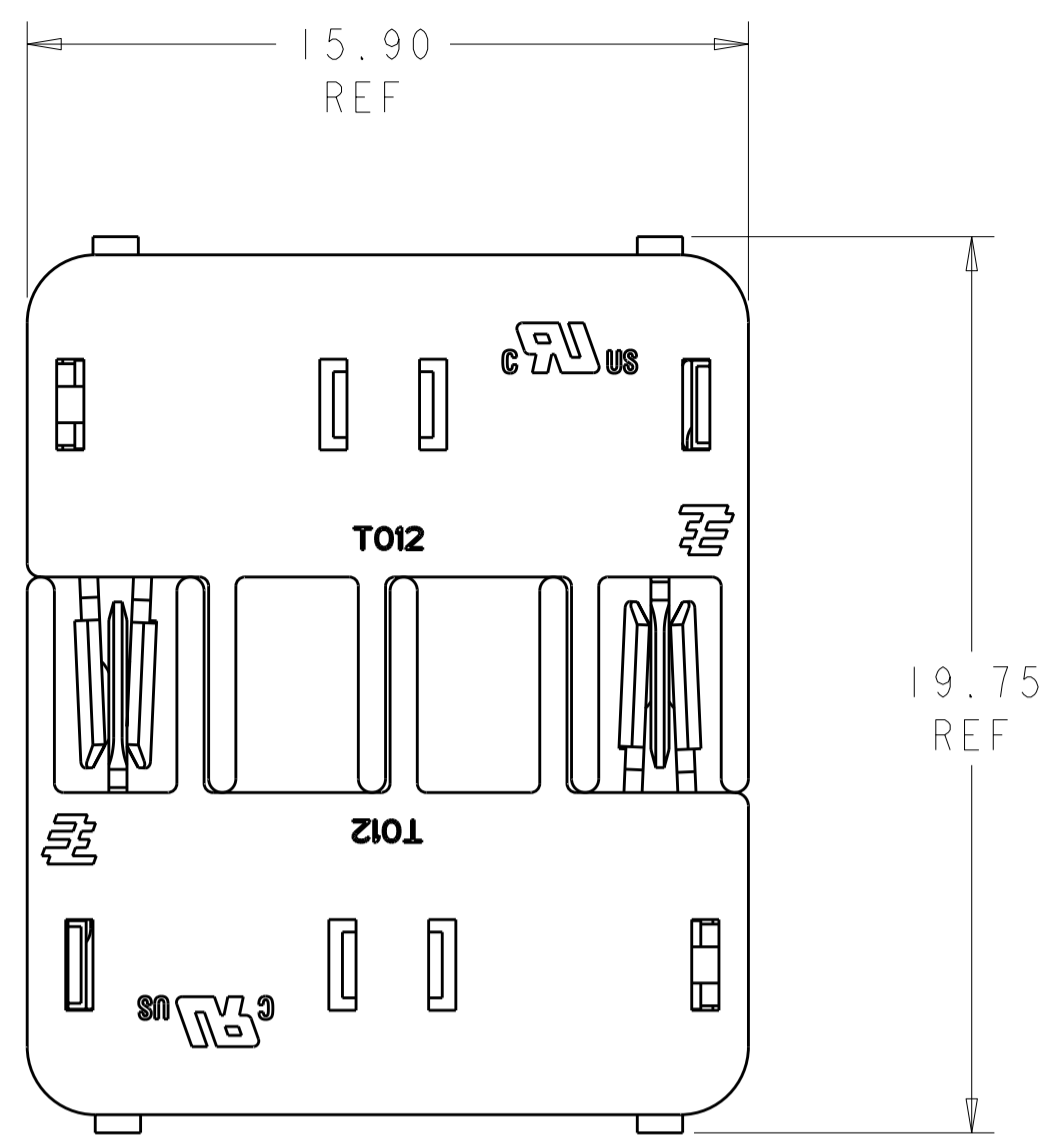
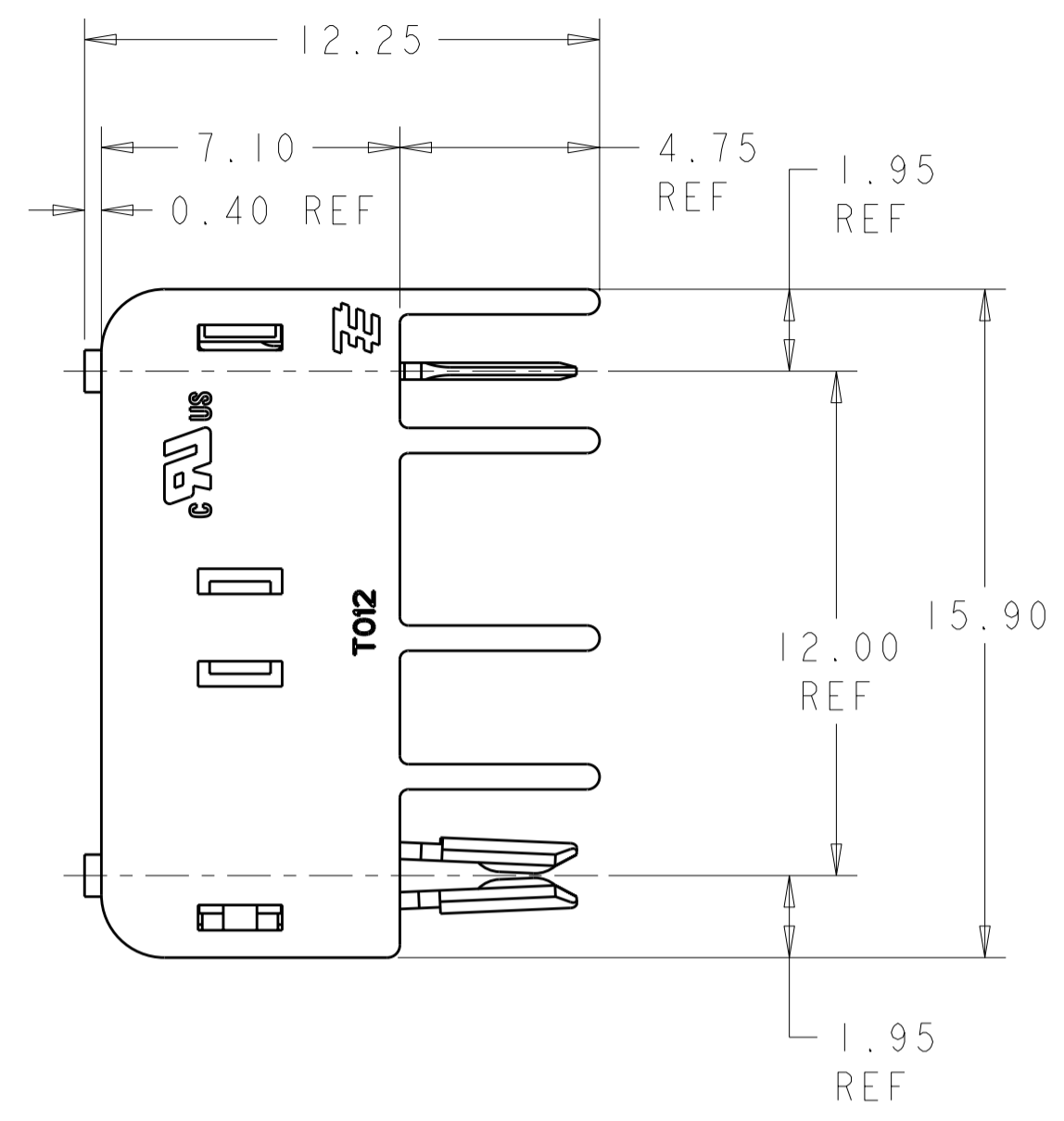


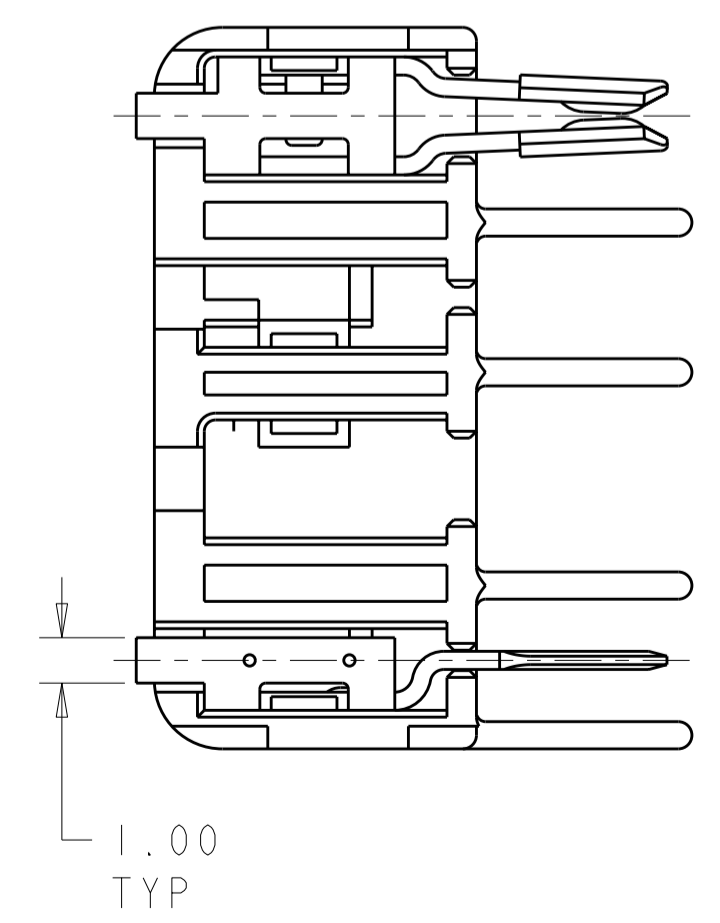
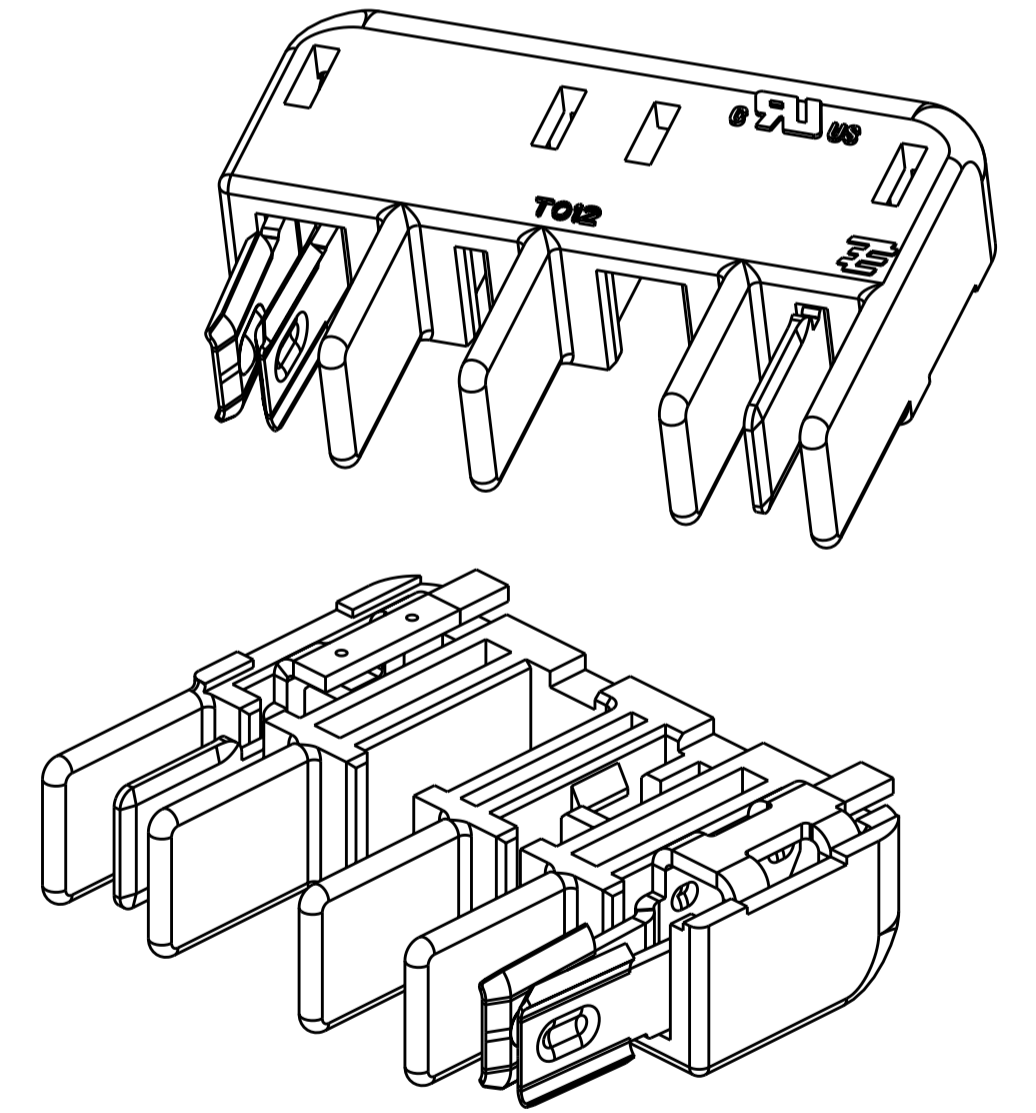
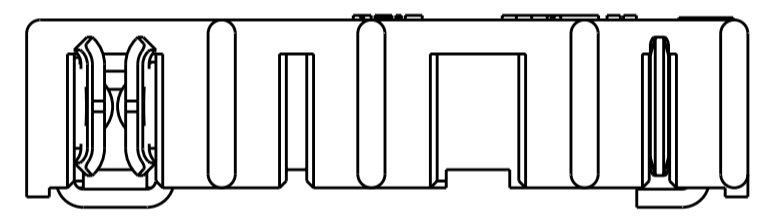
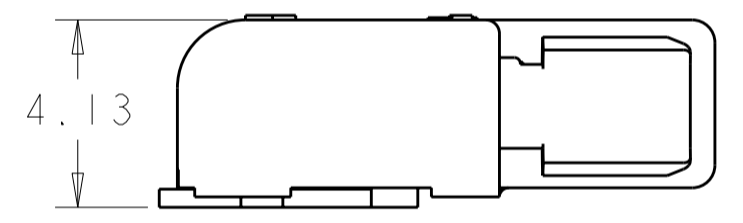
LOC		DIST		REVISIONS			
P	LTR	DESCRIPTION	DATE	DWN	APVD		
	5	UPDATED VIEWS, 4.13 DIM WAS 4.17	31MAR2010	RB	RN		



MATED PAIR SHOWN FOR REFERENCE

NOTES:

- 1. MATERIALS AND FINISH
 - HOUSING: LCP
 - CONTACTS: COPPER ALLOY, FINISH: TIN
- 2. PRODUCT TO COMPLY WITH DIRECTIVE 2002/95/EC (ROHS)
- 3. PACKAGED IN TAPE AND REEL PER EIA-481 SPECIFICATIONS

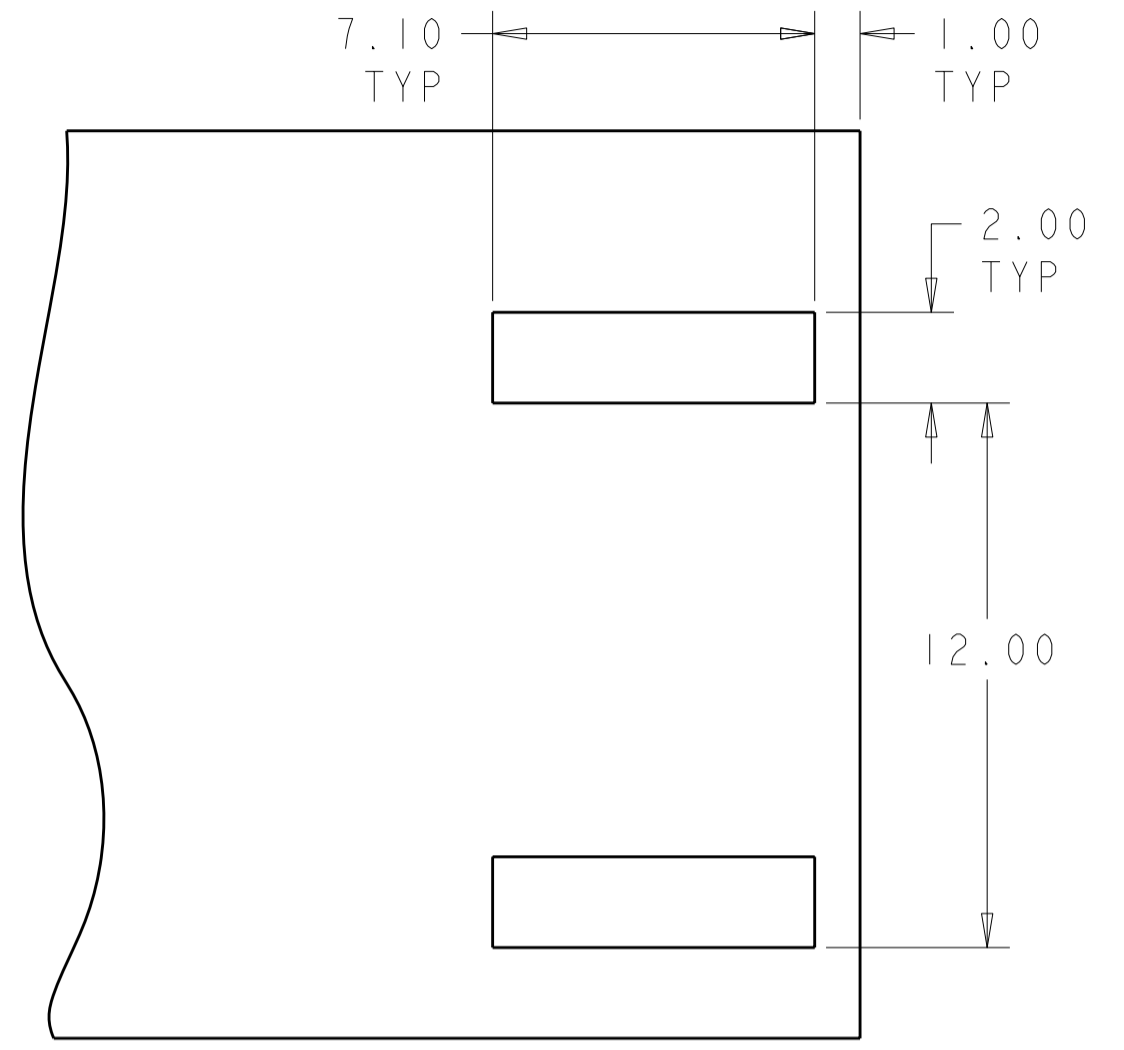


NATURAL	2106004-1
COLOR	PART NO.

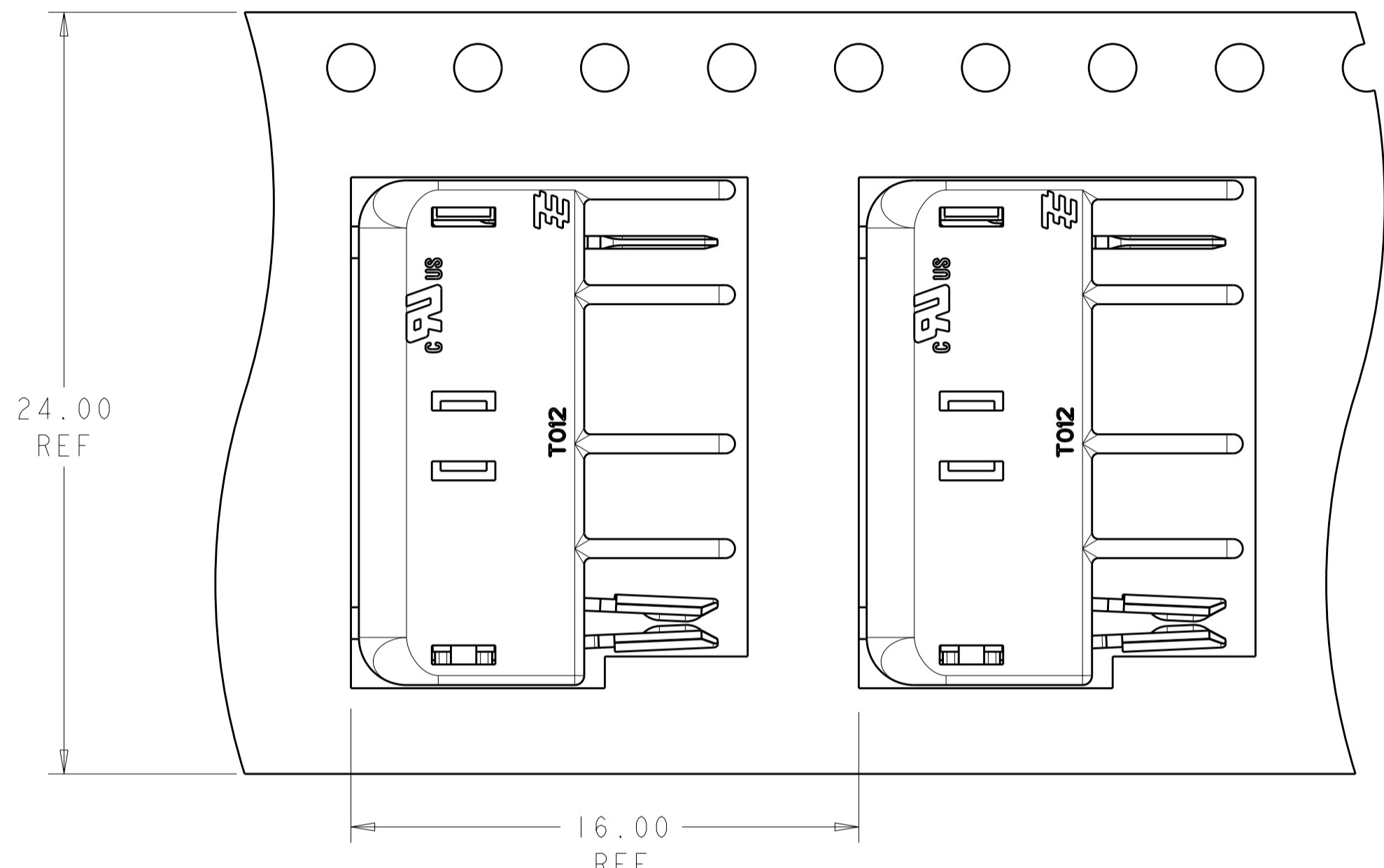
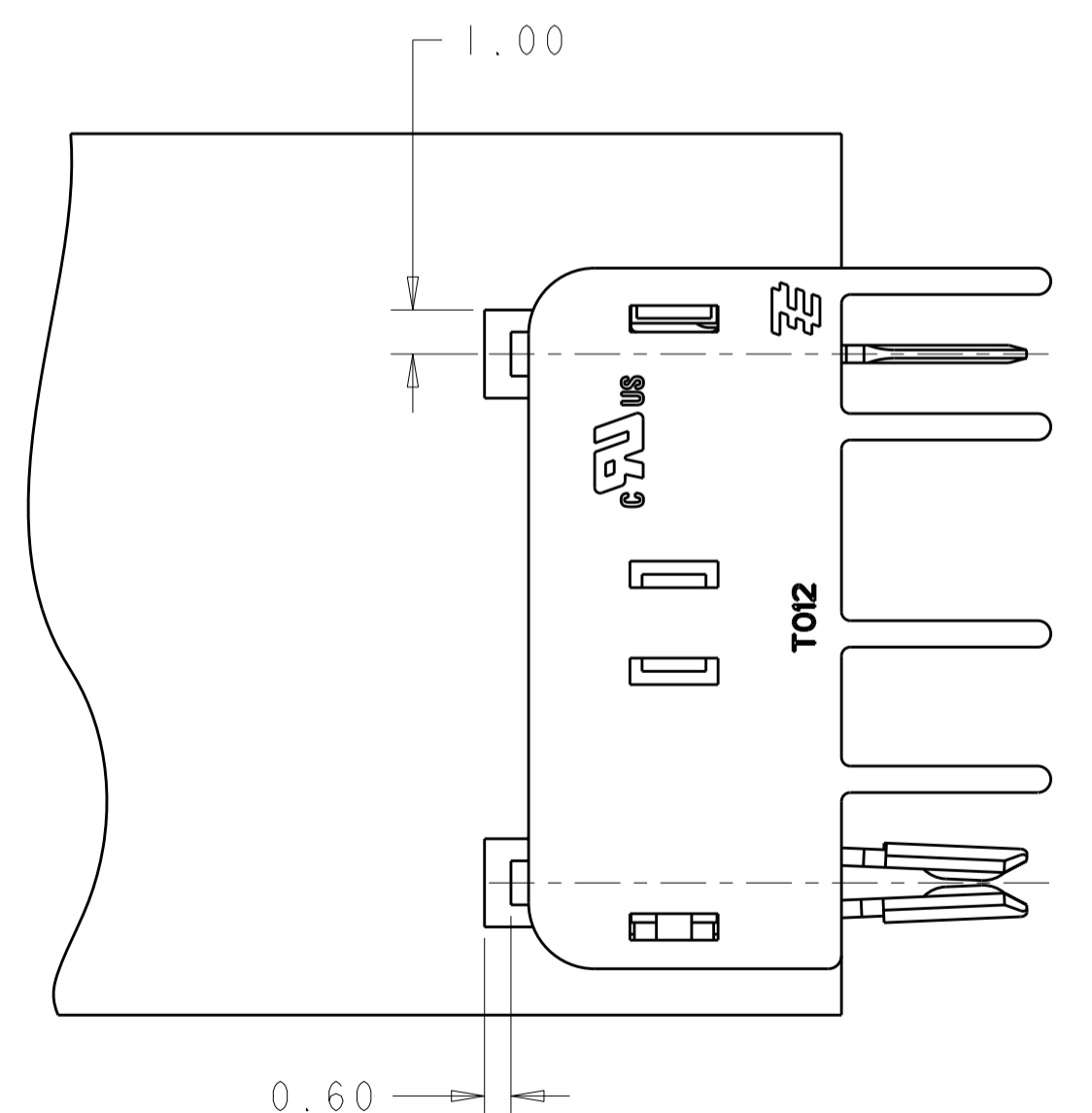
DESIGN APPROVED THIS PRINT IS
PRELIMINARY
 TO FIRST PIECE APPROVAL
 CONTACT PRODUCT ENGINEERING
 BEFORE USING THIS PRINT

THIS DRAWING IS A CONTROLLED DOCUMENT FOR TYCO ELECTRONICS CORPORATION IT IS SUBJECT TO CHANGE AND THE CONTROLLING ENGINEERING ORGANIZATION SHOULD BE CONTACTED FOR THE LATEST REVISION.		DWN S. FISHER 05NOV2008	Tyco Electronics Harrisburg, PA 17105-3608	
DIMENSIONS: mm		CHK R. NARANG 05NOV2008	NAME CONNECTOR ASSEMBLY, SELECT LOADING, HERMAPHRODITIC BLADE AND RECEPTACLE	
TOLERANCES UNLESS OTHERWISE SPECIFIED: 0 PLC ± 1 PLC ± 2 PLC ±0.13 3 PLC ±0.013 4 PLC ± ANGLES ±1.0 FINISH		APVD -	PRODUCT SPEC 108-2342	RESTRICTED TO -
MATERIAL		APPLICATION SPEC 114-13225	SIZE A200779	DRAWING NO C-2106004
		WEIGHT -	SCALE 6:1	SHEET 1 OF 2 REV 5
		CUSTOMER DRAWING		

LOC		DIST		REVISIONS			
P	LTR	DESCRIPTION	DATE	DWN	APVD		
-	-	SEE SHEET 1	-	-	-		



RECOMMENDED PCB LAYOUT



TO BE PACKAGED AS SHOWN

DESIGN APPROVED THIS PRINT IS
PRELIMINARY
 TO FIRST PIECE APPROVAL
 CONTACT PRODUCT ENGINEERING
 BEFORE USING THIS PRINT

<small>THIS DRAWING IS A CONTROLLED DOCUMENT FOR TYCO ELECTRONICS CORPORATION IT IS SUBJECT TO CHANGE AND THE CONTROLLING ENGINEERING ORGANIZATION SHOULD BE CONTACTED FOR THE LATEST REVISION.</small>		DWN S. FISHER 05NOV2008 CHK R. NARANG 05NOV2008 APVD - PRODUCT SPEC - APPLICATION SPEC - WEIGHT - CUSTOMER DRAWING	Tyco Electronics Harrisburg, PA 17105-3608 NAME CONNECTOR ASSEMBLY, SELECT LOADING, HERMAPHRODITIC BLADE AND RECEPTACLE SIZE CAGE CODE DRAWING NO RESTRICTED TO A200779 C-2106004 - SCALE 6:1 SHEET 2 OF 2 REV 5
---	--	--	---