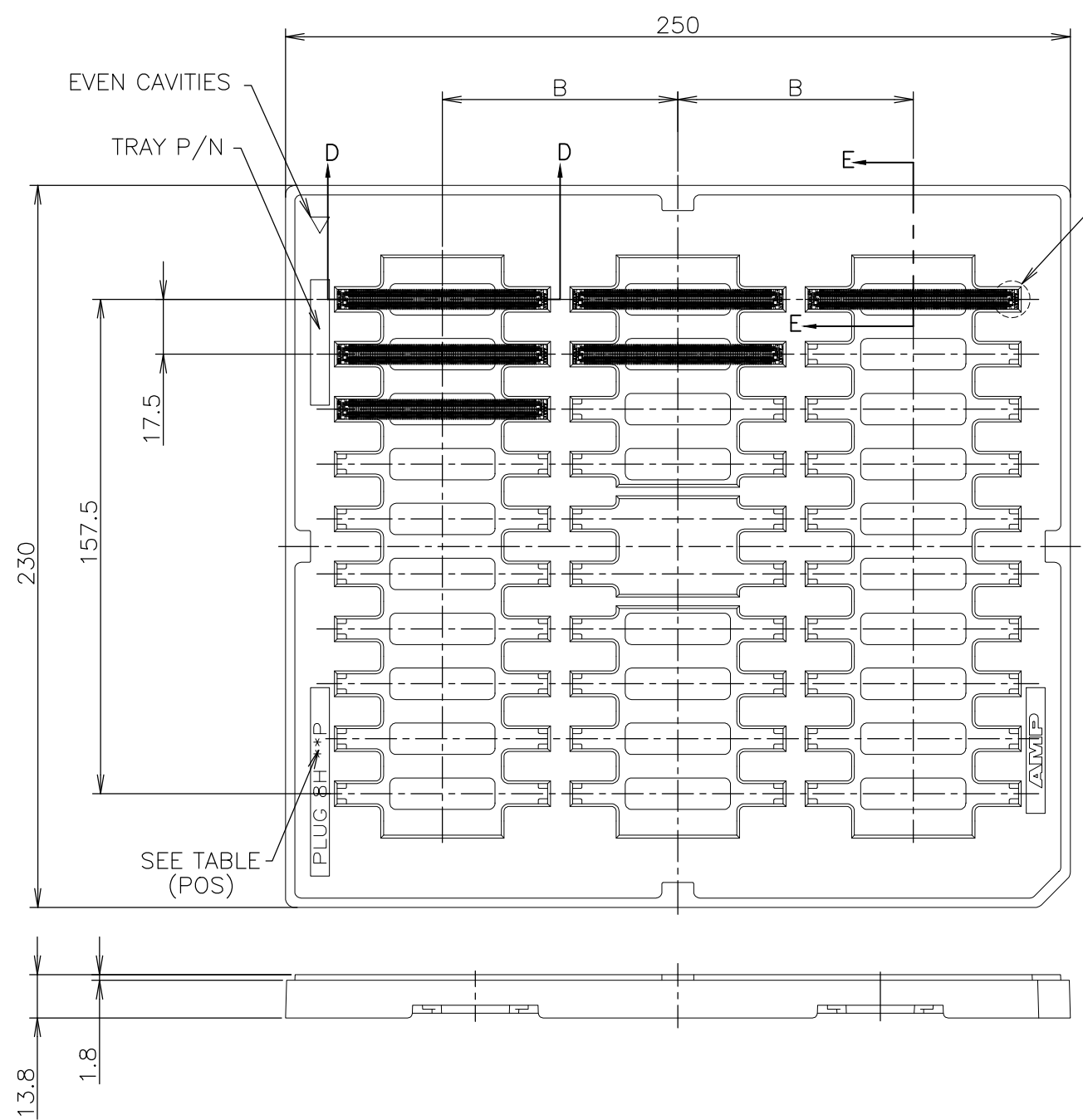
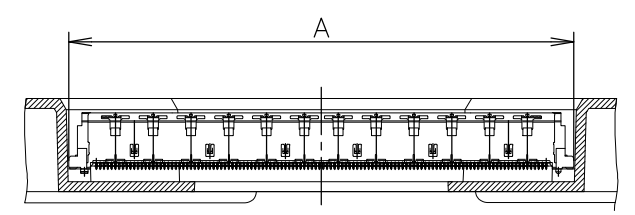


THIS DRAWING IS UNPUBLISHED. RELEASED FOR PUBLICATION 2005
 © COPYRIGHT 2005 By - ALL RIGHTS RESERVED.

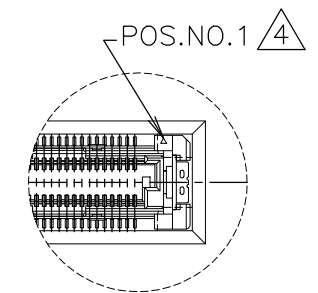
LOC	DIST	REVISIONS			
P	LTR	DESCRIPTION	DATE	DWN	APVD
J	/	D1	REVISED PER ECO-18-004258	13MAR2018	R.L H.L



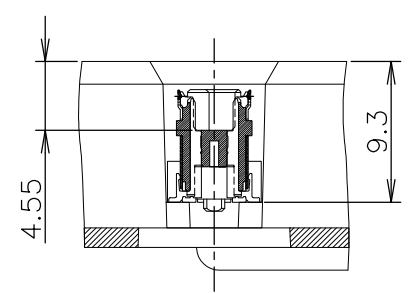
SEE DETAIL C



SECT. D-D
(SCALE 2:1)
(CONNECTOR NOT SECTION)



DETAIL C
(SCALE 2:1)



SECT. E-E
(SCALE 2:1)

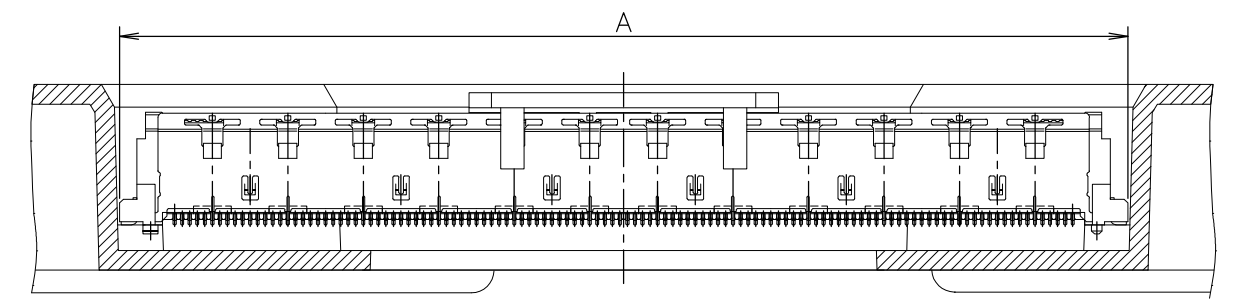
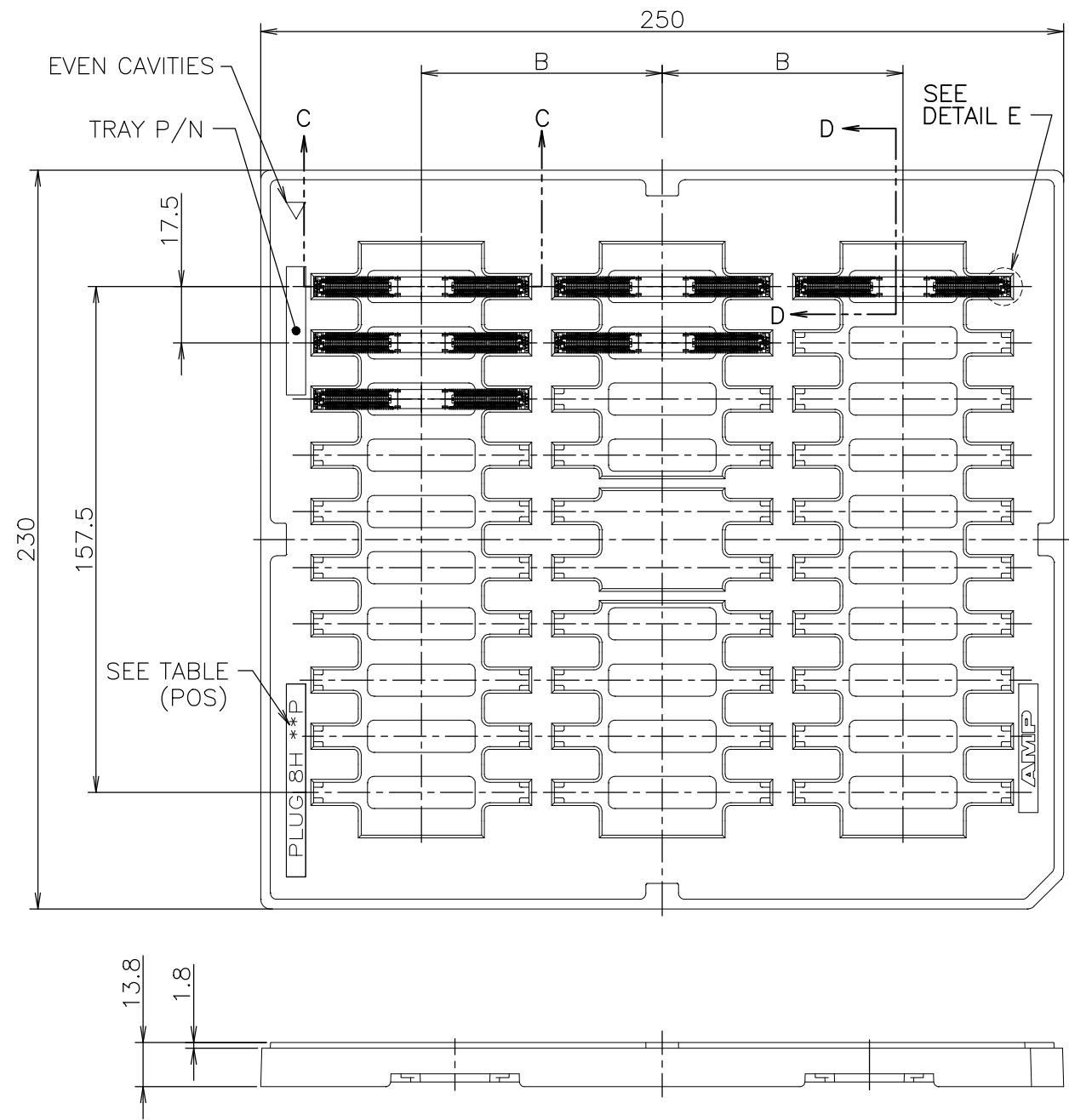
WITHOUT PICK UP CAP

YES/NO	3	30	75	61.8	220	8-6318491-6
SEALANT	ROW	QTY	B	A	POS.	PART NO.

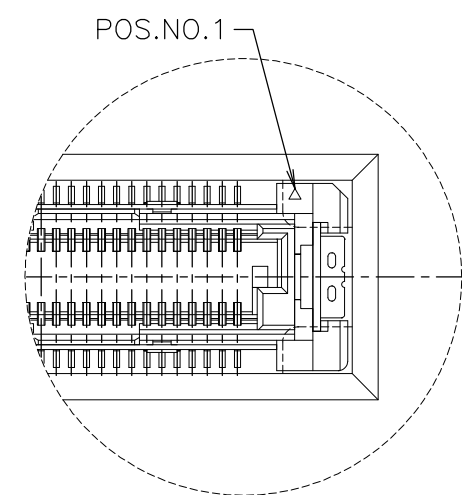
THIS DRAWING IS A CONTROLLED DOCUMENT.		DWN S.CH IEN 26SEP05	TE Connectivity			
DIMENSIONS: MM		CHK T.FUTATSUGI 26SEP05				
TOLERANCES UNLESS OTHERWISE SPECIFIED:		APVD W.KODAMA 26SEP05	NAME			
0 PLC ± 0.3 1 PLC ± 0.3 2 PLC ± 0.3 3 PLC ± 0.3 4 PLC ± 0.3 ANGLES ± 3°		PRODUCT SPEC	HARD TRAY ASSY			
MATERIAL		FINISH	FH 0.5BTB CONNECTOR 220POS			
		APPLICATION SPEC	PLUG 8H WITH GROUND PLATE			
-		WEIGHT	SIZE	CAGE CODE	DRAWING NO	RESTRICTED TO
-		CUSTOMER DRAWING	A3	00779	C-6318491	
-		SCALE	1:2	SHEET	1 OF 4	REV D1

THIS DRAWING IS UNPUBLISHED. RELEASED FOR PUBLICATION 2005
 © COPYRIGHT 2005 By - ALL RIGHTS RESERVED.

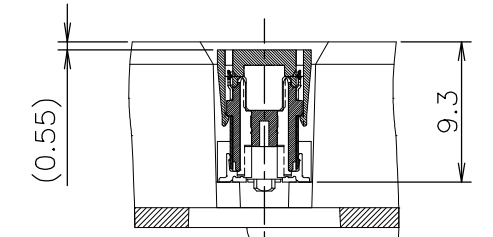
LOC	DIST	REVISIONS					
		P	LTR	DESCRIPTION	DATE	DWN	APVD
J	-	-	-	SEE SHEET 1	-	-	-



SECT. C-C
(SCALE 2:1)



DETAIL E
(SCALE 4:1)



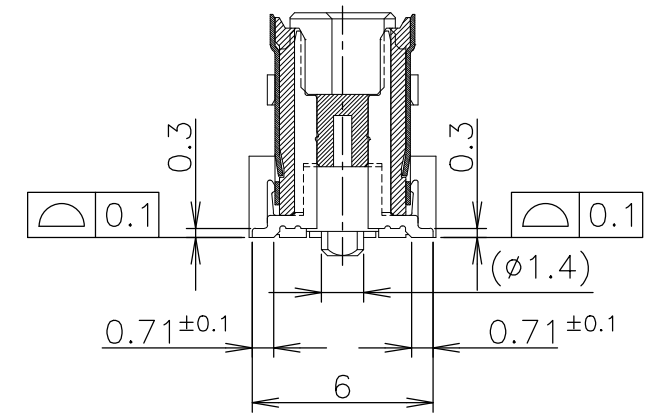
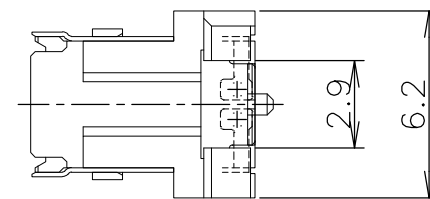
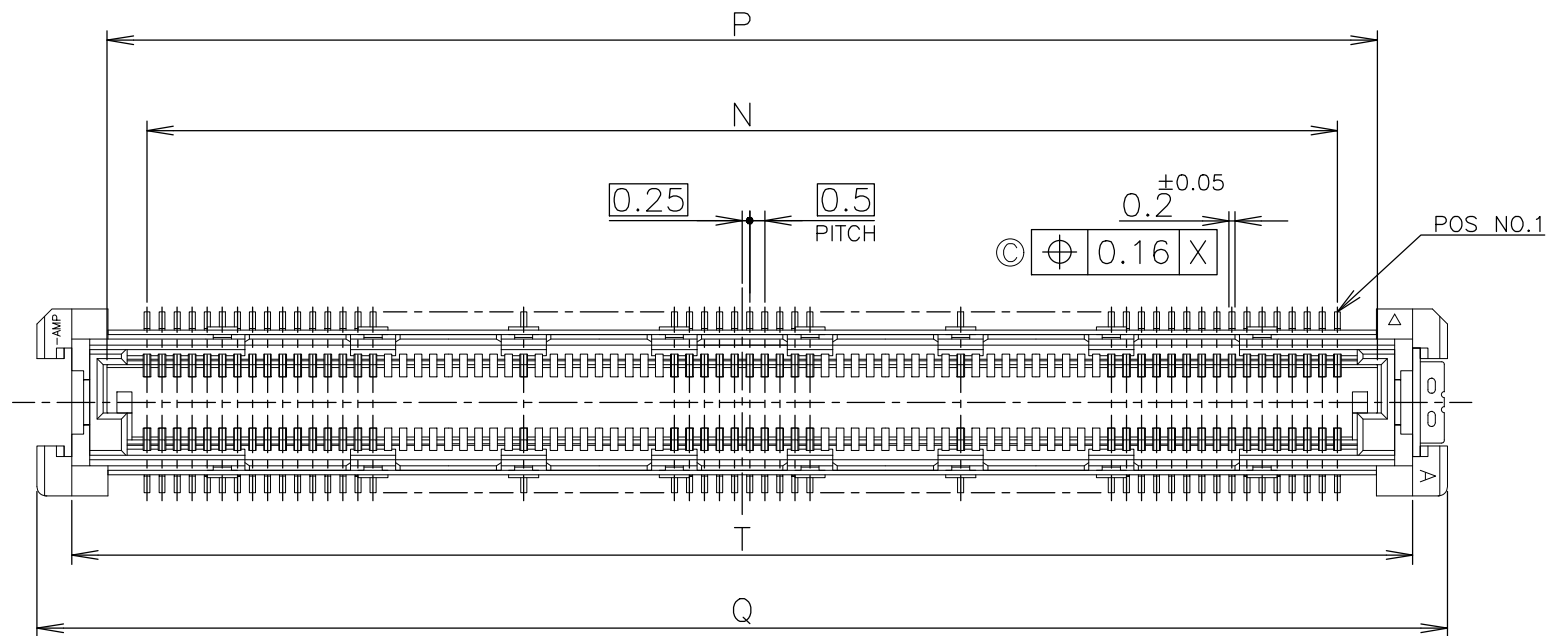
SECT. D-D
(SCALE 2:1)

WITH PICK UP CAP

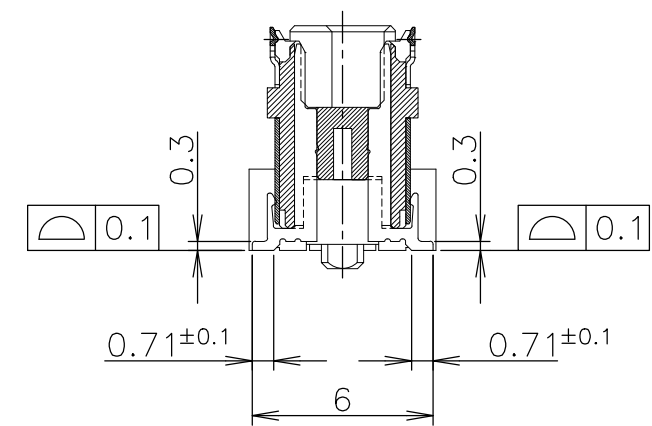
THIS DRAWING IS A CONTROLLED DOCUMENT.		DWN S.CH IEN 26SEP05	TE Connectivity			
DIMENSIONS: MM		CHK T.FUTATSUGI 26SEP05				
		APVD W.KODAMA 26SEP05	NAME			
TOLERANCES UNLESS OTHERWISE SPECIFIED:		PRODUCT SPEC	HARD TRAY ASSY			
0 PLC ± 0.3		APPLICATION SPEC	FH 0.5BTB CONNECTOR 220POS			
1 PLC ± 0.3		108-5560	PLUG 8H WITH GROUND PLATE			
2 PLC ± 0.3		-	SIZE	CAGE CODE	DRAWING NO	RESTRICTED TO
3 PLC ± 0.3		MATERIAL	A3	00779	C-6318491	
4 PLC ± 0.3		FINISH	SCALE 1:2 SHEET 2 of 4 REV D1			
ANGLES ± 3'		MATERIAL	CUSTOMER DRAWING			
-		FINISH	-			

NO	3	30	75	61.8	220	9-6318491-6
SEALANT	ROW	QTY	B	A	POS.	PART NO.

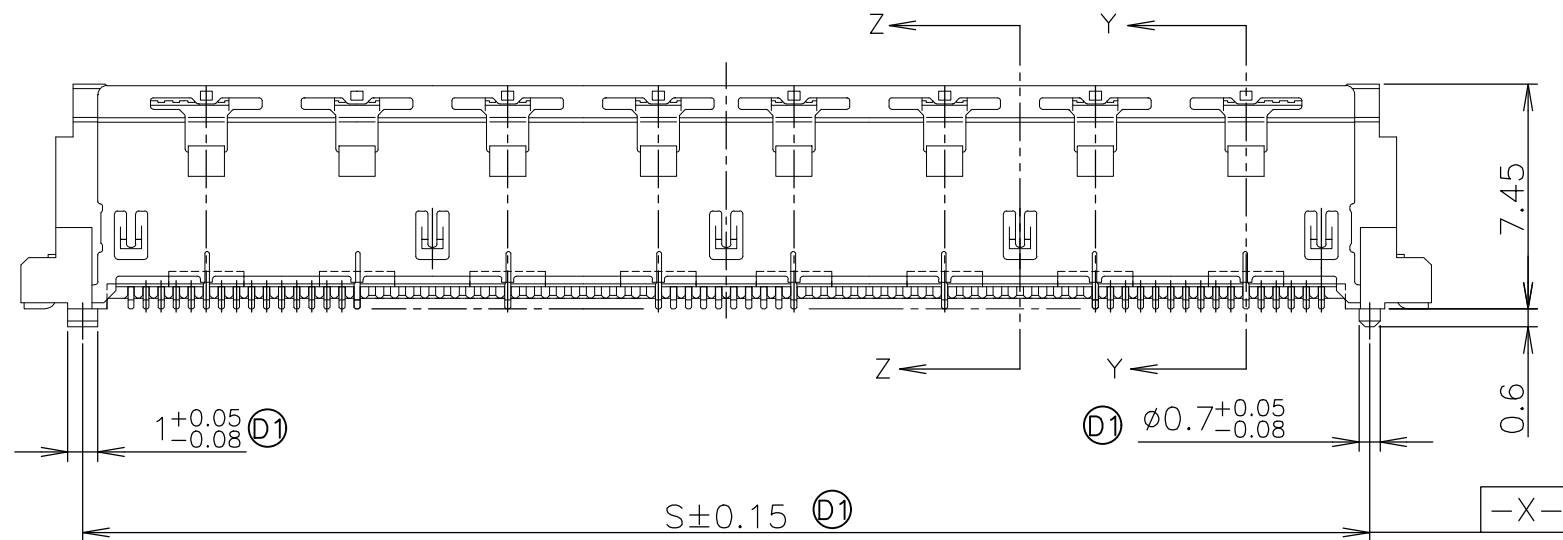
LOC	DIST	REVISIONS			
P	LTR	DESCRIPTION	DATE	DWN	APVD
		SEE SHEET 1	-	-	-



SECT. Z-Z
(SIGNAL POSITION)



SECT. Y-Y
(GROUND POSITION)



NOTE:

- ① MATERIAL ; HOUSING : HIGH TEMP THERMO PLASTIC UL94V-0
CONTACT : COPPER ALLOY
SOLDER PEG : COPPER ALLOY
- ② FINISH ; SIGNAL CONTACT : UNDER PL Ni 0.0013mm MIN ALL OVER.
CONTACT AREA 0.0002mm MIN Au PL.
SOLDERING AREA 0.001mm MIN TIN PL.
GROUND CONTACT : UNDER PL Ni 0.0013mm MIN ALL OVER.
CONTACT AREA 0.0002mm MIN Au PL.
SOLDERING AREA 0.001mm MIN TIN PL.
SOLDER PEG : 0.001mm MIN TIN PL. OVER
0.0013mm MIN Ni PL ALL OVER.
- ③ THIS POSITION IS GROUND CIRCUIT.
- ④ THIS PRODUCT WAS COATED BY FLUX-PENETRATION-INHIAITING AGENT.

59.5	57.7	61.8	57.1	54.5	220	BLACK	9-6318491-6
59.5	57.7	61.8	57.1	54.5	220	BLACK	8-6318491-6
59.5	57.7	61.8	57.1	54.5	220	BLACK	3-6318491-6
T	S	Q	P	N	POS.	HSG COLOR	PART NO.

THIS DRAWING IS A CONTROLLED DOCUMENT.		DWN		TE Connectivity			
DIMENSIONS: MM		CHK					
TOLERANCES UNLESS OTHERWISE SPECIFIED:		APVD		NAME			
0 PLC ± 0.3		PRODUCT SPEC		HARD TRAY ASSY			
1 PLC ± 0.3		APPLICATION SPEC		FH 0.5BTB CONNECTOR 220POS			
2 PLC ± 0.3		WEIGHT		PLUG 8H WITH GROUND PLATE			
3 PLC ± 0.3		CUSTOMER DRAWING		SIZE	CAGE CODE	DRAWING NO	RESTRICTED TO
4 PLC ± 0.3				A3	00779	C-6318491	
ANGLES ± 3'				SCALE		SHEET	
FINISH				4:1		3 OF 4	
①						REV	
②						D1	

4

3

2

1

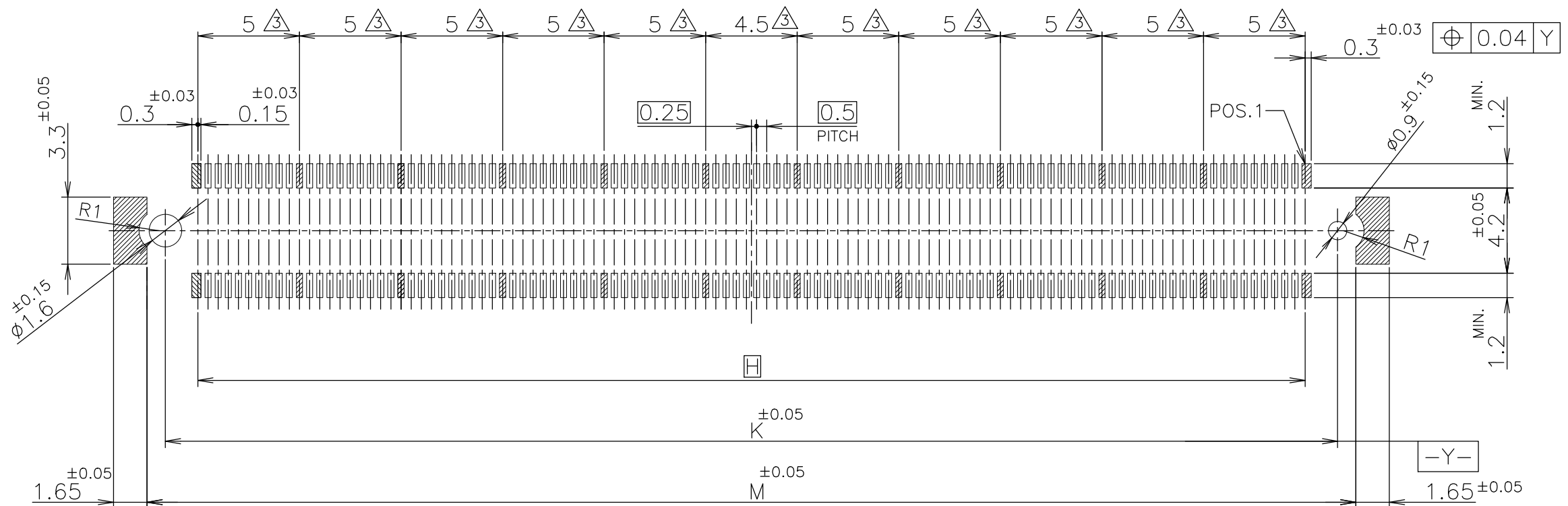
THIS DRAWING IS UNPUBLISHED.

RELEASED FOR PUBLICATION , NOV 1996

© COPYRIGHT 1996 By -


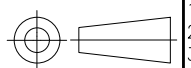

ALL RIGHTS RESERVED.

LOC	DIST	REVISIONS			
P	LTR	DESCRIPTION	DATE	DWN	APVD
		SEE SHEET 1	-	-	-



REFERENCE P.C.BOARD LAYOUT

59.5	57.7	54.5	220	9-6318491-6
59.5	57.7	54.5	220	8-6318491-6
59.5	57.7	54.5	220	3-6318491-6
M	K	H	POS	PART NO.

THIS DRAWING IS A CONTROLLED DOCUMENT.		DWN	 TE Connectivity				
DIMENSIONS: MM		CHK				NAME	
		APVD				HARD TRAY ASSY	
TOLERANCES UNLESS OTHERWISE SPECIFIED: 0 PLC ± 0.3 1 PLC ± 0.3 2 PLC ± 0.3 3 PLC ± 0.3 4 PLC ± 0.3 ANGLES ± 3°		PRODUCT SPEC				FH 0.5BTB CONNECTOR 220POS	
MATERIAL		APVD	APPLICATION SPEC	PLUG 8H WITH GROUND PLATE			
FINISH		WEIGHT	SIZE	CAGE CODE	DRAWING NO	RESTRICTED TO	
		A300779		C-6318491			
CUSTOMER DRAWING			SCALE	SHEET	REV		
			4:1	4 OF 4	D1		