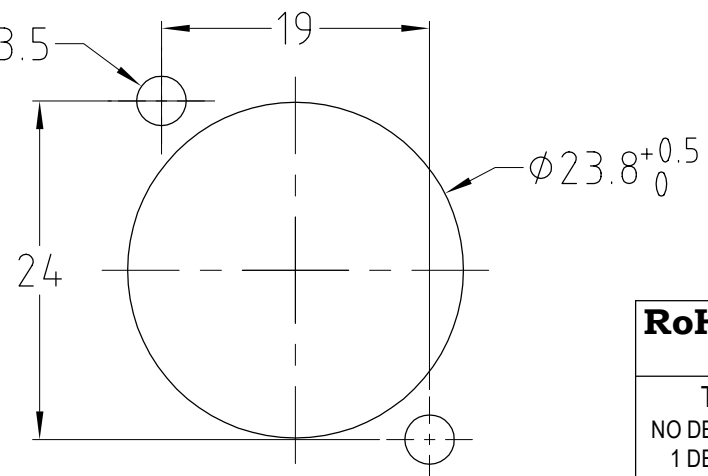
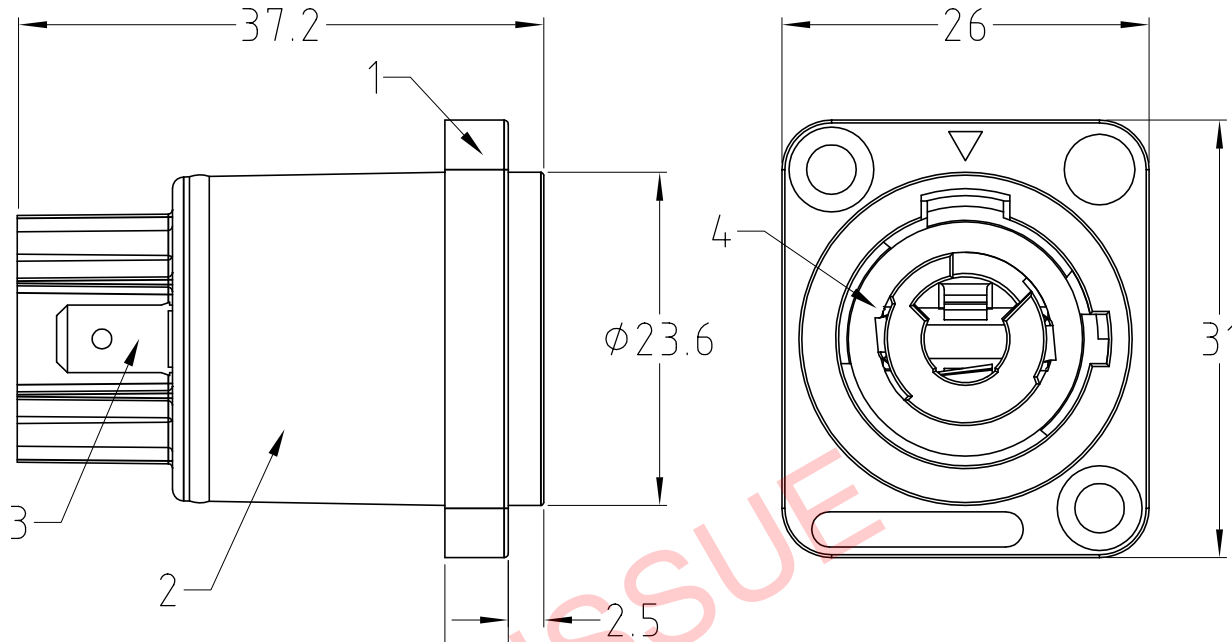
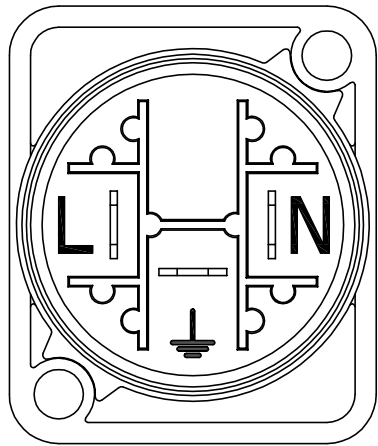


ISS.	AMEND	DATE
1	ISSUED	31/10/18



Number of contacts: 2+PE  
 Contact Resistance:  $\leq 3m\Omega$   
 Insulation Resistance after:  $\geq 100M\Omega$   
 Dielectric strength: 4000V DC  
 Rated voltage: 250V ac  
 Rated current per contact: 20A rms  
 Mates with FM12316 - Power OUT Plug (Grey)

PRE-ISSUE

ITEM	DESCRIPTION	QTY	MATERIAL	FINISH
1	HOUSING	1	PA6 30% GF	GREY
2	REAR BODY	1	PA6 30% GF	BLACK
3	CONTACTS	3	BRASS	SILVER PLATE
4	SEAL	1	PA6	BLACK

**WARNING**  
 DO NOT CONNECT OR DISCONNECT  
 WHEN UNDER LOAD OR LIVE.

<b>RoHS</b> COMPLIANT
TOLERANCE NO DEC. PLACE $\pm$ 1 DEC. PLACE $\pm$ 2 DEC. PLACE $\pm$ HOLE $\varnothing \pm$ ANGLES $\pm$ UNLESS OTHERWISE STATED
DO NOT SCALE

**Cliff Electronic Components Ltd.**  
 76 Holmehorpe Avenue, Holmehorpe Industrial Estate,  
 Redhill, Surrey, RH1 2PF, England, UK  
 Tel: 01737-771375 Fax: 01737-766012 Website: www.cliffuk.co.uk

THE CONTENTS OF THIS DOCUMENT MUST NOT BE COPIED OR DISCLOSED TO A 3rd PARTY WITHOUT WRITTEN PERMISSION OF CLIFF UK. © 2018

DIMENSIONS IN MILLIMETERS UNLESS OTHERWISE STATED. WORK TO DIMENSIONS. REMOVE ALL BURRS. IF IN DOUBT ASK.

MATERIAL: SEE TABLE  
 FINISH: SEE TABLE  
 DRAWN: T.J.O. APPROVED: D.P.J.

3rd ANGLE PROJECTION:

TITLE: CLIFFCON P - POWER OUT SOCKET (GREY)  
 DRWG. No. **FM12315** FORM: A4DRWGH