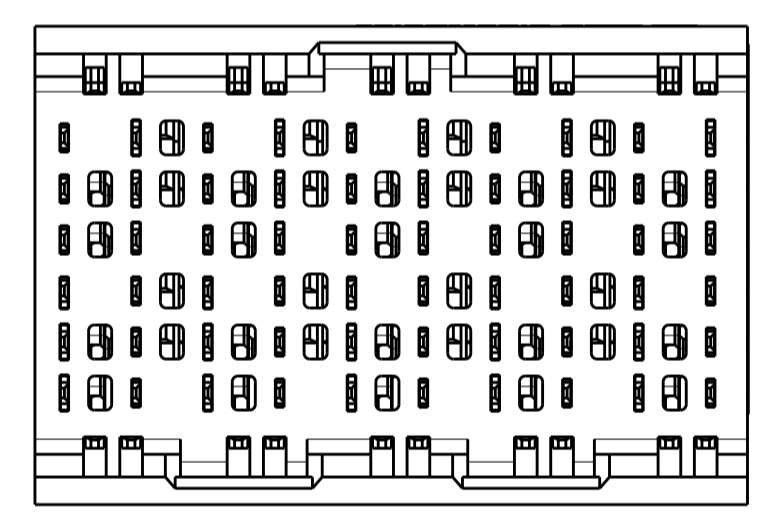
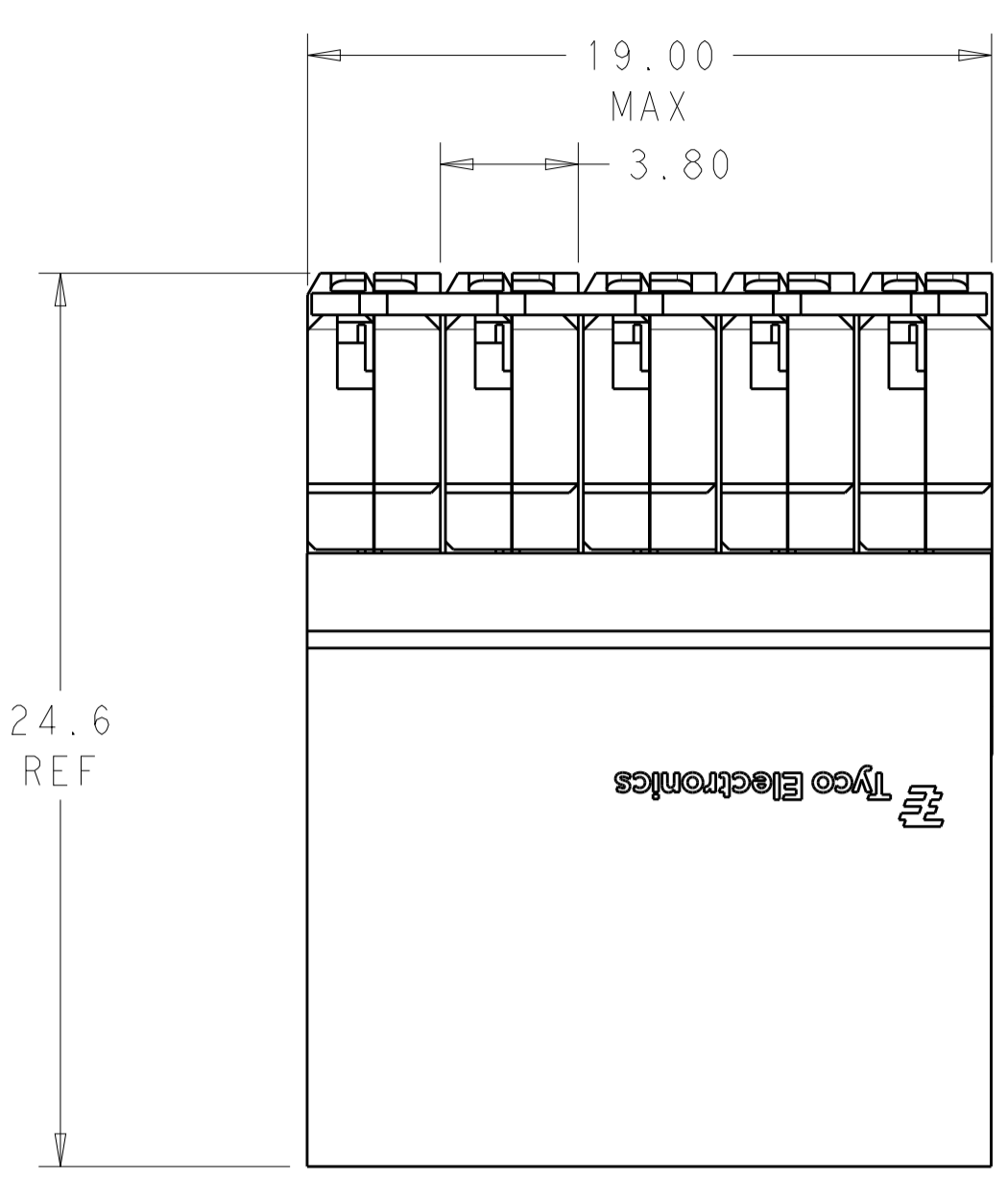
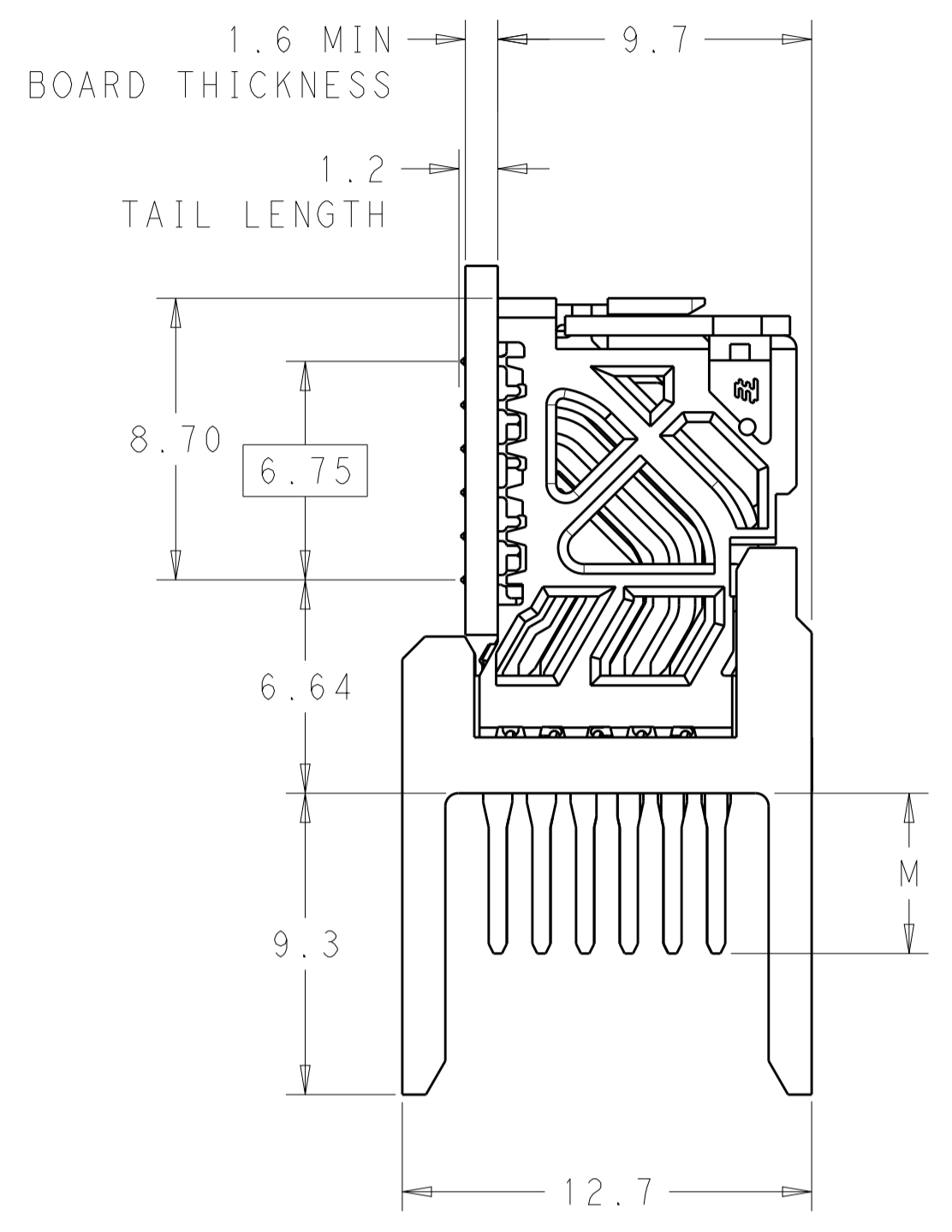
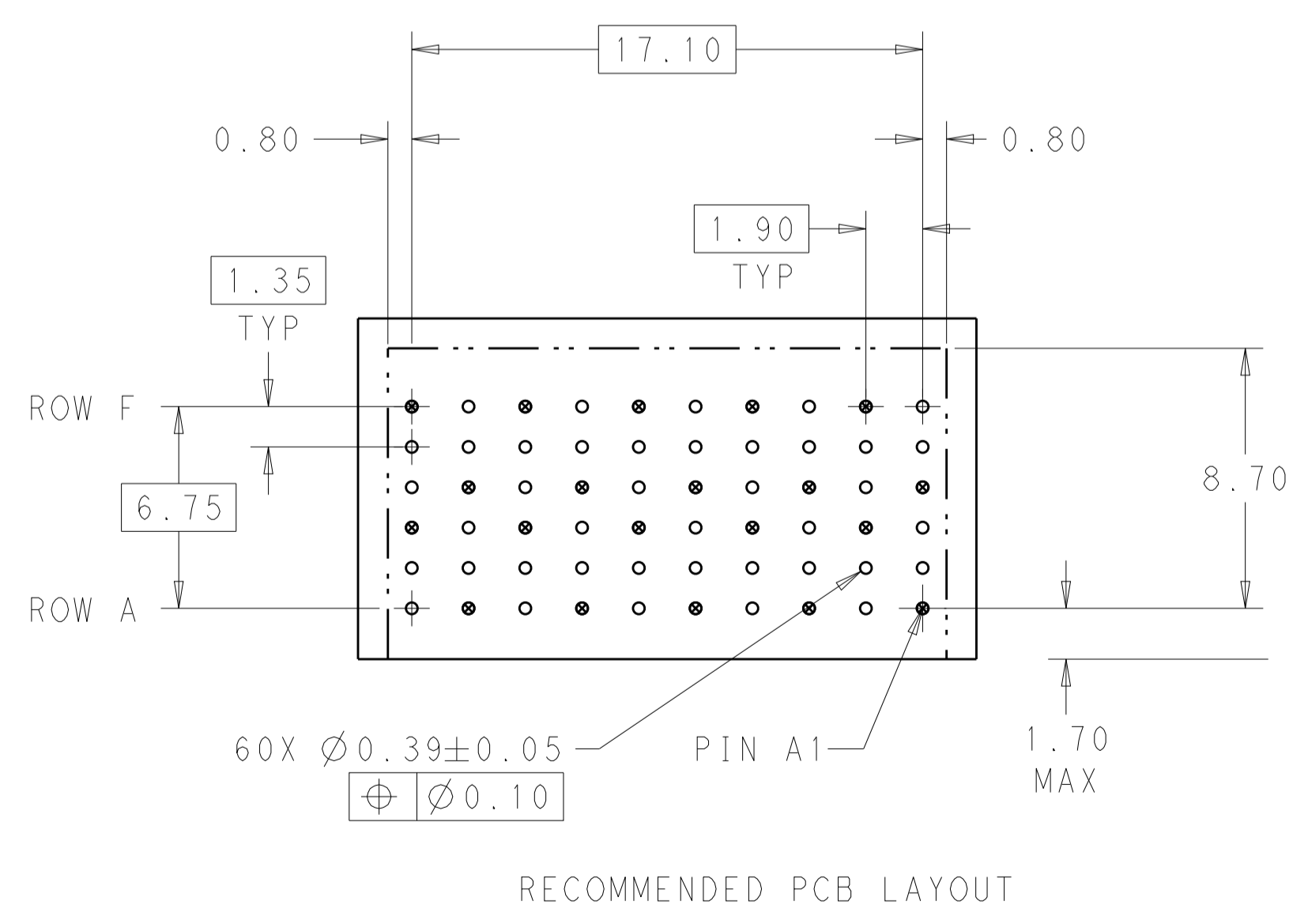
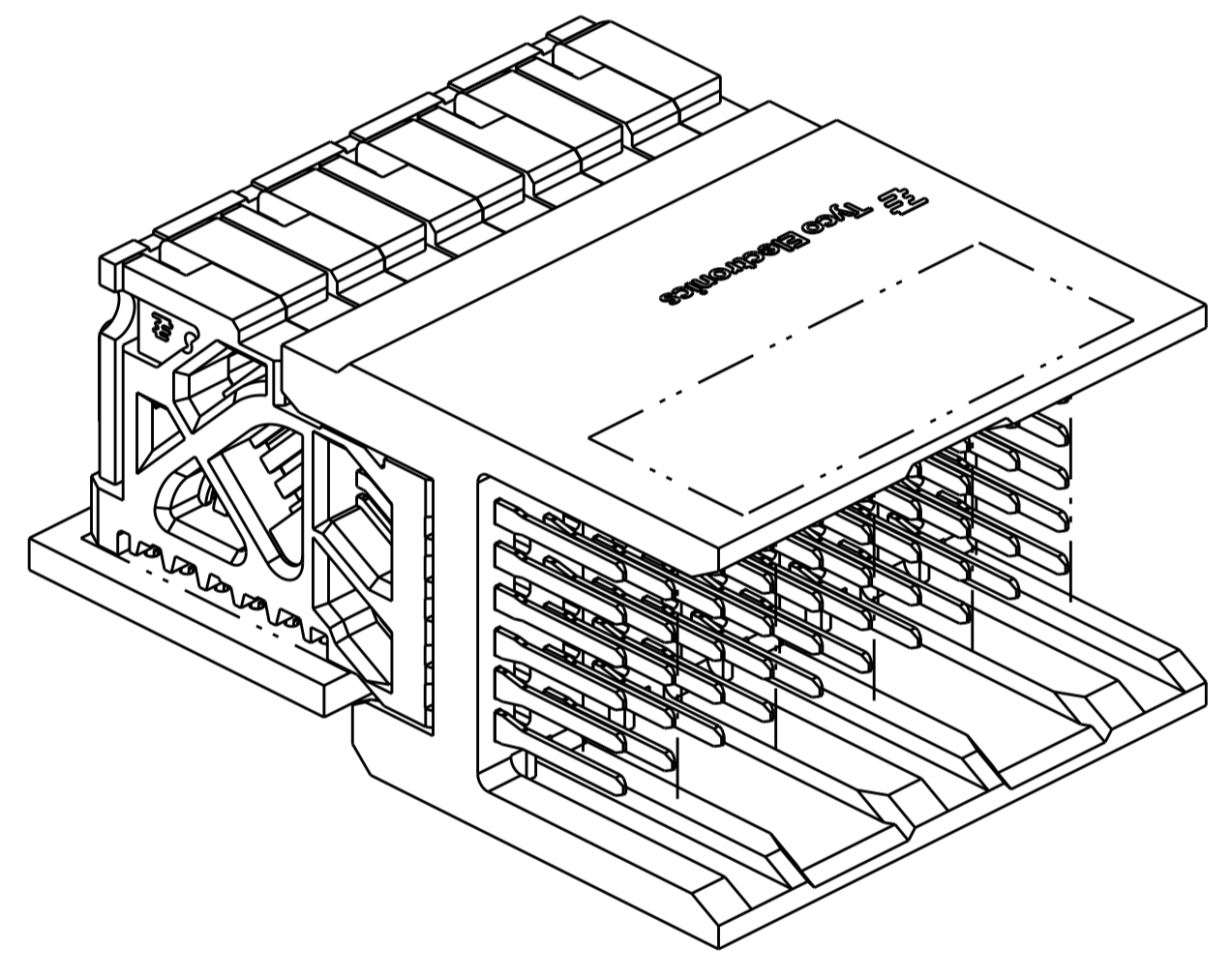


REVISIONS				
P.	LTN.	DESCRIPTION	DATE	APV.
B		REVISED PER ECO-14-005775	21APR2014	AP DD

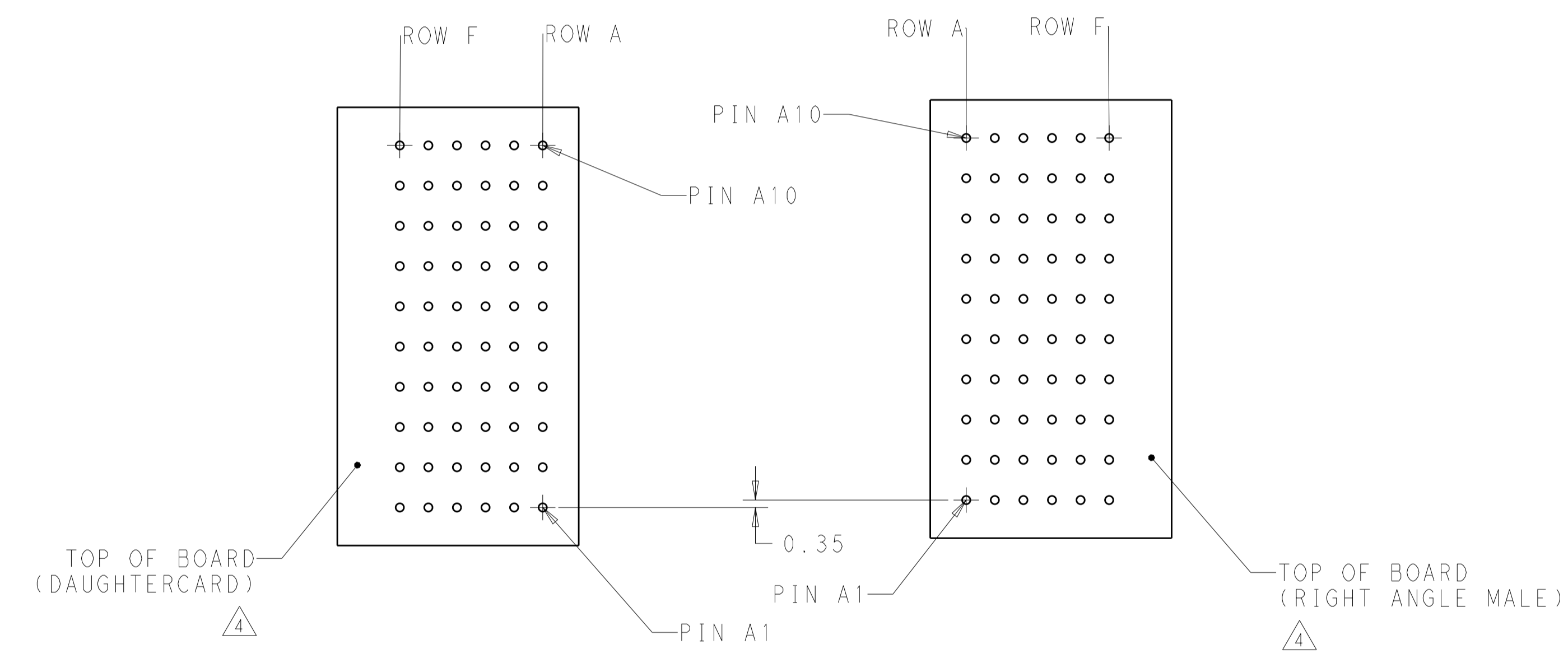


- 1 MATERIAL:
HOUSING: LCP, GLASS FILLED, UL94V-0.
TERMINALS: HIGH PERFORMANCE COPPER ALLOY.
- 2 FINISH:
30µm SELECTIVE GOLD IN CONTACT AREA. SELECTIVE TIN ON PCB TAILS, NICKEL OVERALL.
- 3 FINISH:
30µm SELECTIVE GOLD IN CONTACT AREA. SELECTIVE TIN-LEAD ON PCB TAILS, NICKEL OVERALL.
- 4 UNGUIDED RIGHT ANGLE MALE MATES TO UNGUIDED RIGHT ANGLE RECEPTACLE.



THIS DRAWING IS A CONTROLLED DOCUMENT.		DWN	06APR2011	PRELIMINARY TE Connectivity
DIMENSIONS:		CHK	06APR2011	
TOLERANCES UNLESS OTHERWISE SPECIFIED:		APV	06APR2011	
mm		BY	06APR2011	
0 PLC ± 1 PLC ±0.25 2 PLC ±0.13 3 PLC ± 4 PLC ± ANGLES ± FINISH ±		NAME PRODUCT SPEC APPLICATION SPEC SIZE CAGE CODE DRAWING NO WEIGHT CUSTOMER DRAWING		IMPACT STD. RAM 2 PAIR 10 COLUMN, UNGUIDED OPEN END WALL SIGNAL MODULE, 0.39 EYELET A100779C=2143012 SCALE 5:1 SHEET 1 OF 2 REV B

REVISIONS				
P.	LTN	DESCRIPTION	DATE	APVD
-	-	SEE SHEET 1	-	-



COPLANAR MATED SIGNAL PATHS



△3	5.50	2143012-6
△3	4.90	2143012-5
△2	5.50	2143012-3
△2	4.90	2143012-2
FINISH	DIM M	PART NUMBER

REFER TO WWW.TE.COM FOR PRODUCT AVAILABILITY

THIS DRAWING IS A CONTROLLED DOCUMENT.		DWN 06APR2011	
DIMENSIONS: mm		CHK J. EARY 06APR2011	
TOLERANCES UNLESS OTHERWISE SPECIFIED:		APVD J. EARY 06APR2011	NAME: IMPACT, STD, RAM, 2 PAIR, 10 COLUMN, UNGUIDED OPEN END WALL SIGNAL MODULE, 0.39 EYELET PRODUCT SPEC APPLICATION SPEC
0 PLC ± 1 PLC ±0.25 2 PLC ±0.13 3 PLC ± 4 PLC ± ANGLES ±		SIZE CAGE CODE DRAWING NO A100779C=2143012	
MATERIAL FINISH SEE TABLE		WEIGHT -	RESTRICTED TO -
CUSTOMER DRAWING		SCALE 5:1	SHEET 2 OF 2 REV B