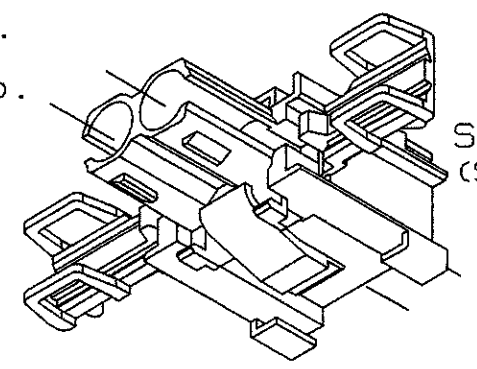
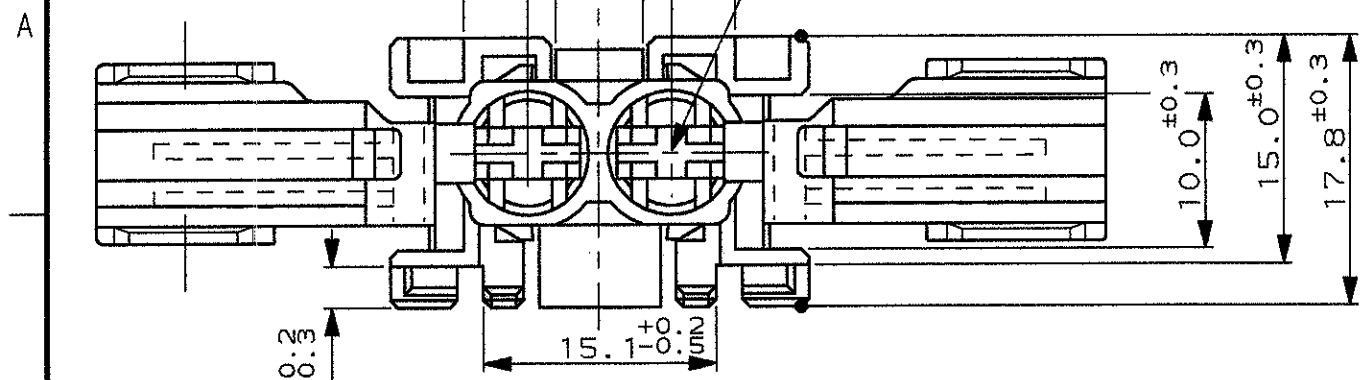


CAVITA' ADATTA PER CONTATTO STD. POWER TIMER
 AMP P/N 927829-2, 927837-2, 927824-2, 927831-2.
 (CAVITY SUITABLE FOR CONTACT STD. POWER TIMER
 AMP P/N 927829-2, 927837-2, 927824-2, 927831-2).

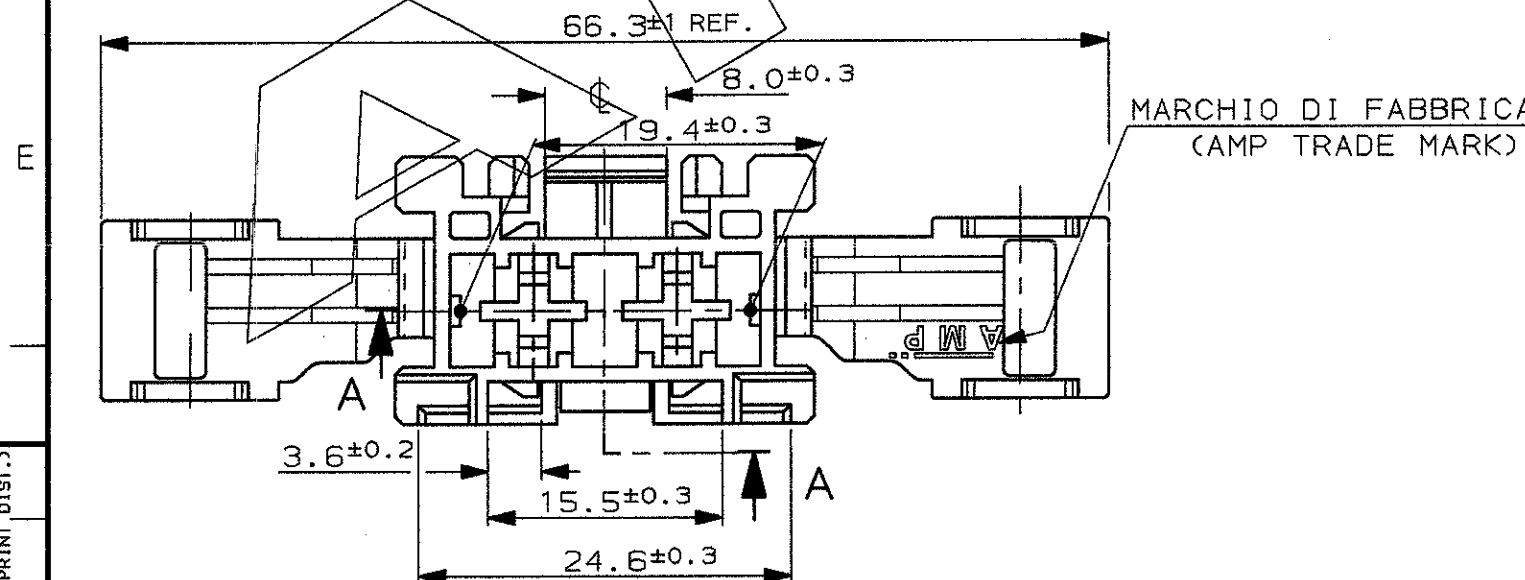
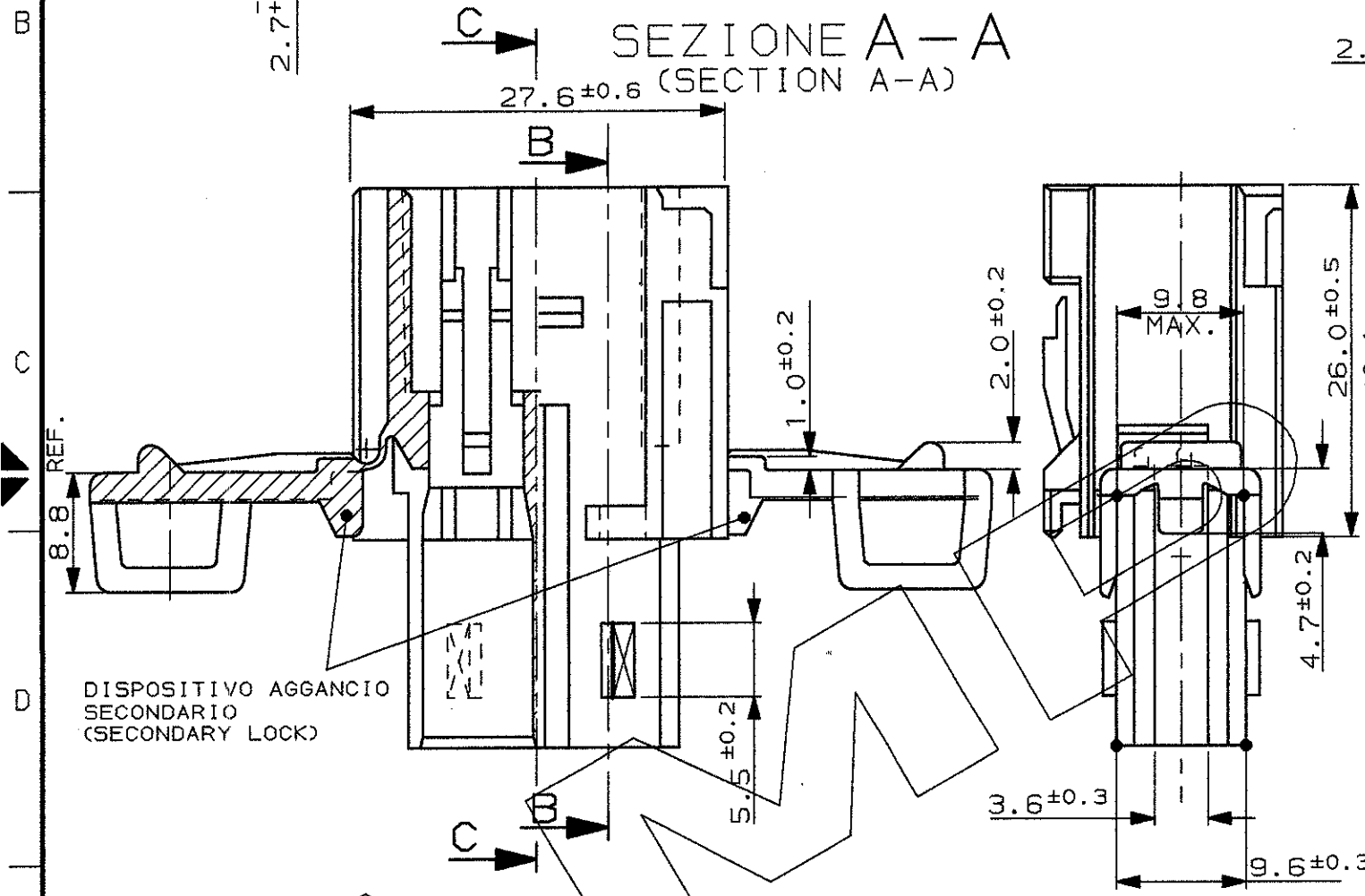
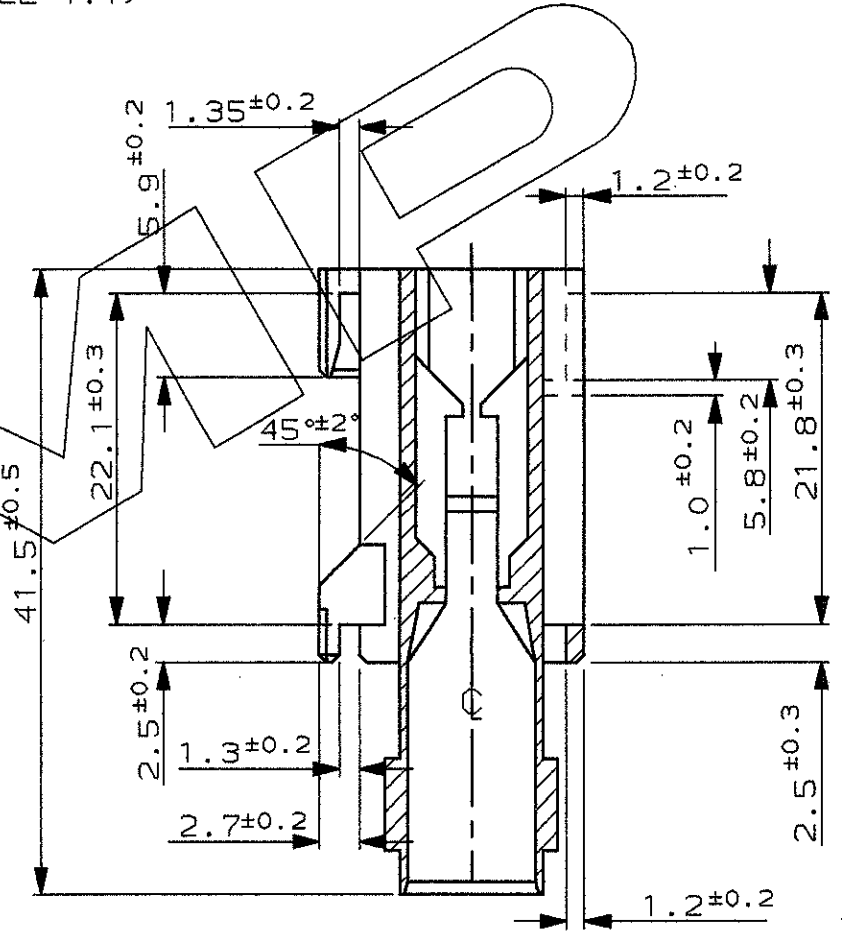


SCALA 1:1 (SCALE 1:1)

SEZIONE B-B (SECTION B-B)



SEZIONE C-C (SECTION C-C)



DISPOSITIVO AGGANCIO SECONDARIO (SECONDARY LOCK)

MARCHIO DI FABBRICA AMP (AMP TRADE MARK)

ARANCIO (ORANGE)	1-282159-0	
VIOLA (VIOLET)	282159-9	
GRIGIO (GRAY)	282159-8	
MARRONE (BROWN)	282159-7	
NERO (BLACK)	282159-6	
GIALLO (YELLOW)	282159-5	
BLU (BLUE)	282159-4	
VERDE (GREEN)	282159-3	
ROSSO (RED)	282159-2	
NATURALE (CLEAR)	282159-1	
FINITURA / COLORE (FINISH / COLOUR)	MATERIALE (MATERIAL)	NUMERO (PART NUMBER)

CUSTOMER DWG. FOR REFERENCE ONLY
 DISEGNO PER CLIENTE SOLO PER RIFERIMENTO

THIS DRAWING IS UNPUBLISHED RELEASE FOR PUBLICATION 19

© COPYRIGHT 19 BY AMP INCORPORATED, HARRISBURG, PA. ALL INTERNATIONAL RIGHT RESERVED. AMP PRODUCTS MAY BE COVERED BY U.S. AND FOREIGN PATENT AND/OR PATENT PENDING

TOLLERANZE, SE NON DIVERSAMENTE SPECIFICATO (TOLERANCES, UNLESS OTHERWISE SPECIFIED)	DIAM. ISOLANTE (INS. DIA. RANGE)	RANGO FILO (WIRE RANGE)	SCALA (SCALE)
± 0.3	-	-	2:1

REV.	REVISIONI (REVISION RECORD)	DIS. DATA (DATE)
E	REVISED FOR EC ET00-0138-98	M.P. 12/98
D	REVISED FOR EC ET00-0530-96	A.F. 03-97
C	REVISED FOR EC ET00-0381-96	A.F. 07-96
B	REVISED FOR ECN. I-3226	C.I. 19-93
A	IN PRODUZIONE	25-9-91

DESCRIZIONE (DESCRIPTION)	BLOCCETTO PORTA FUSIBILI SINGOLA VIA PER FUSIBILI LAMELLARI (FUSE HOLDER 1 POS.)
LOC. SIZE NUMERO (DWG NO)	I A3 C-282159 E
REV.	1
FOGLIO (SHEET)	01
(COPIES)	1

DISTRIBUZIONE (PRINT DIST.)