

THIS DRAWING IS UNPUBLISHED.

RELEASED FOR PUBLICATION

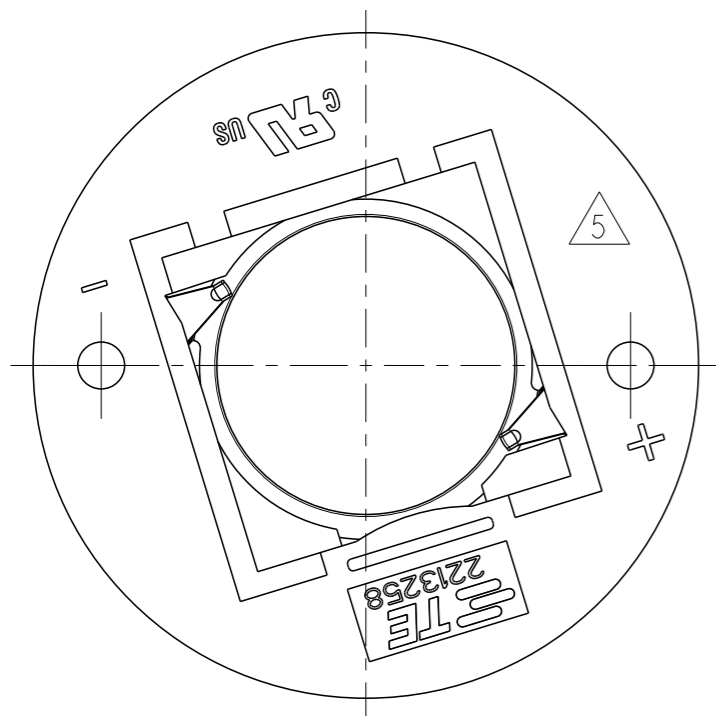
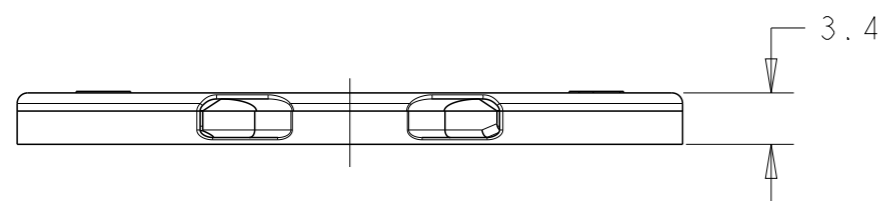
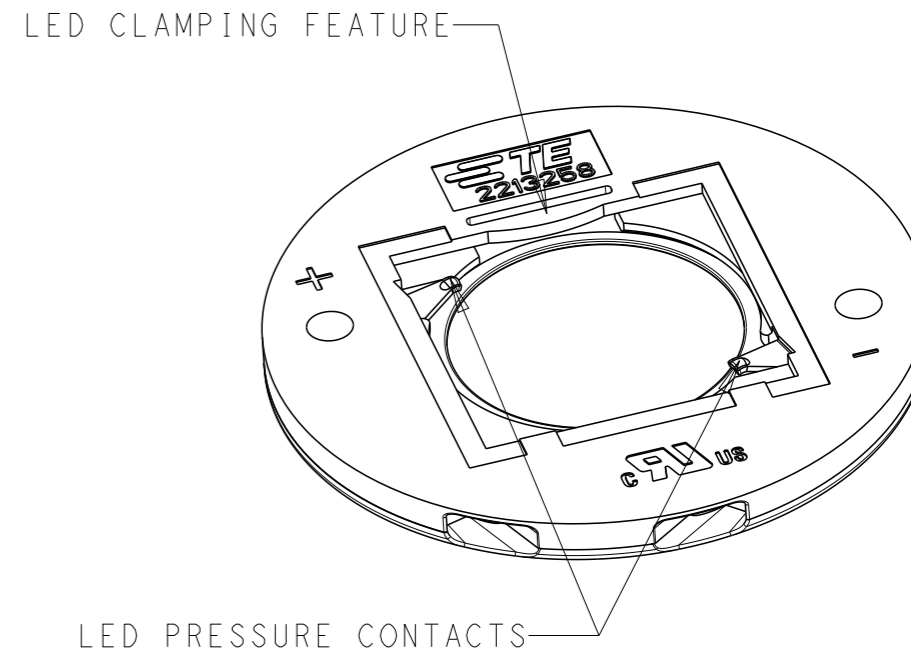
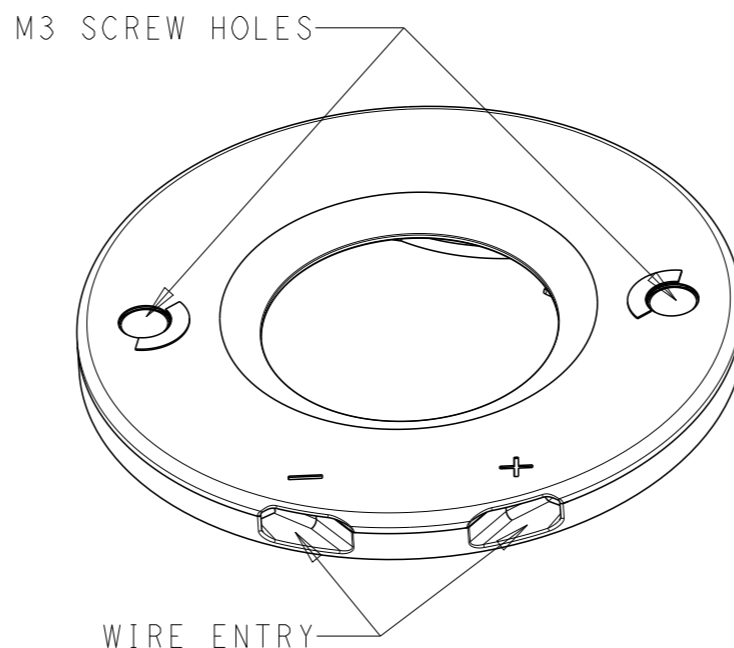
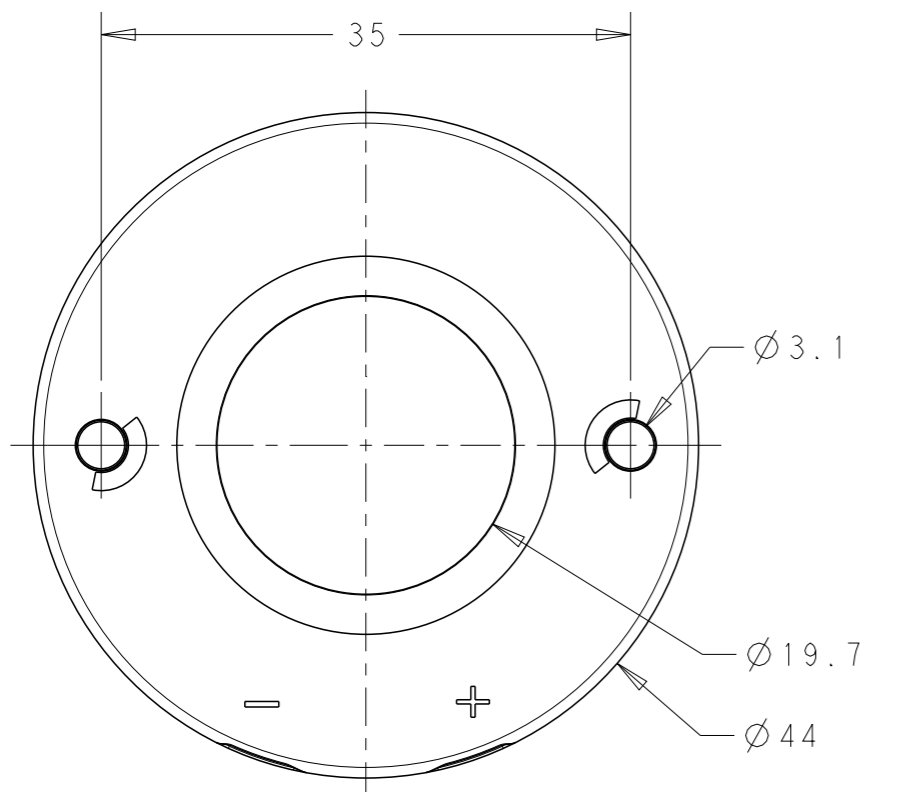
20

© COPYRIGHT 20 BY -

ALL RIGHTS RESERVED.

REVISIONS

P	LTR	DESCRIPTION	DATE	DWN	APVD
A1		ECR-16-001206	27JAN2016	KR	MvE
A2		ECR-16-005694	19APR2016	KR	MvE
B		ADDED RELEASED LED	06FEB2017	KR	MvE
C		REVISED PER ECR-17-005513	13APR2017	SK	MvE



2213258-1 AS SHOWN

Z50 LED HOLDER LOW PROFILE

NOTES.

- MATERIALS:  
HOUSING: GLASS FILLED PBT, HALOGEN FREE FLAME RETARDANT,  
COLOR: NATURAL/WHITE  
CONTACTS: SILVER PLATED COPPER ALLOY
  - FOR SOLID AND STANDARD WIRE AWG 22-18
  - COMPLIES WITH DIRECTIVE 2002/95/EC (ROHS)
  - M3 SCREW TO BE USED FOR MOUNTING
- 5 DATE CODE YY-WW-D ANY WHERE EXCEPT OVER LOGO OR +/- SIGN.

PART NO	DESCRIPTION
2213258-2	Z50 LED HOLDER STANDARD PROFILE 2121
2213258-1	Z50 LED HOLDER LOW PROFILE 2121

THIS DRAWING IS A CONTROLLED DOCUMENT.	
DIMENSIONS: mm	TOLERANCES UNLESS OTHERWISE SPECIFIED:
	0 PLC ±-
	1 PLC ±-
	2 PLC ±-
	3 PLC ±-
	4 PLC ±-
	ANGLES ±-
MATERIAL	FINISH
-	-
-	-

DWN M.V.ESSEN 07AUG2013	TE Connectivity LUMAWISE Z50 LED HOLDER ASSY 2121			
CHK M.V.ESSEN 07AUG2013				
APVD O.I.FIJNSE 07AUG2013				
PRODUCT SPEC 108-133008				
APPLICATION SPEC 114-32048	NAME			
WEIGHT	SIZE	CAGE CODE	DRAWING NO	RESTRICTED TO
CUSTOMER DRAWING	A3	00779	C-2213258	-
SCALE	SHEET	OF	REV	
2:1	1	3	C	

THIS DRAWING IS UNPUBLISHED.

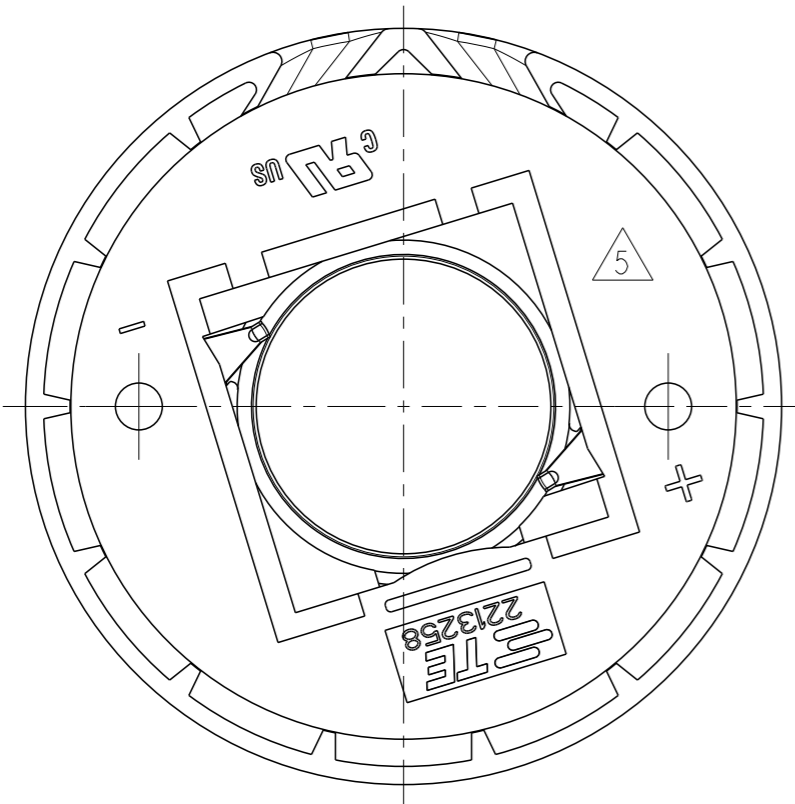
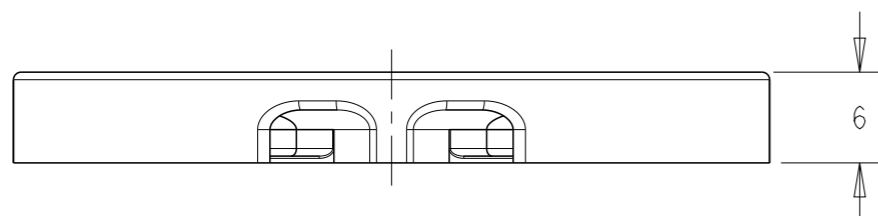
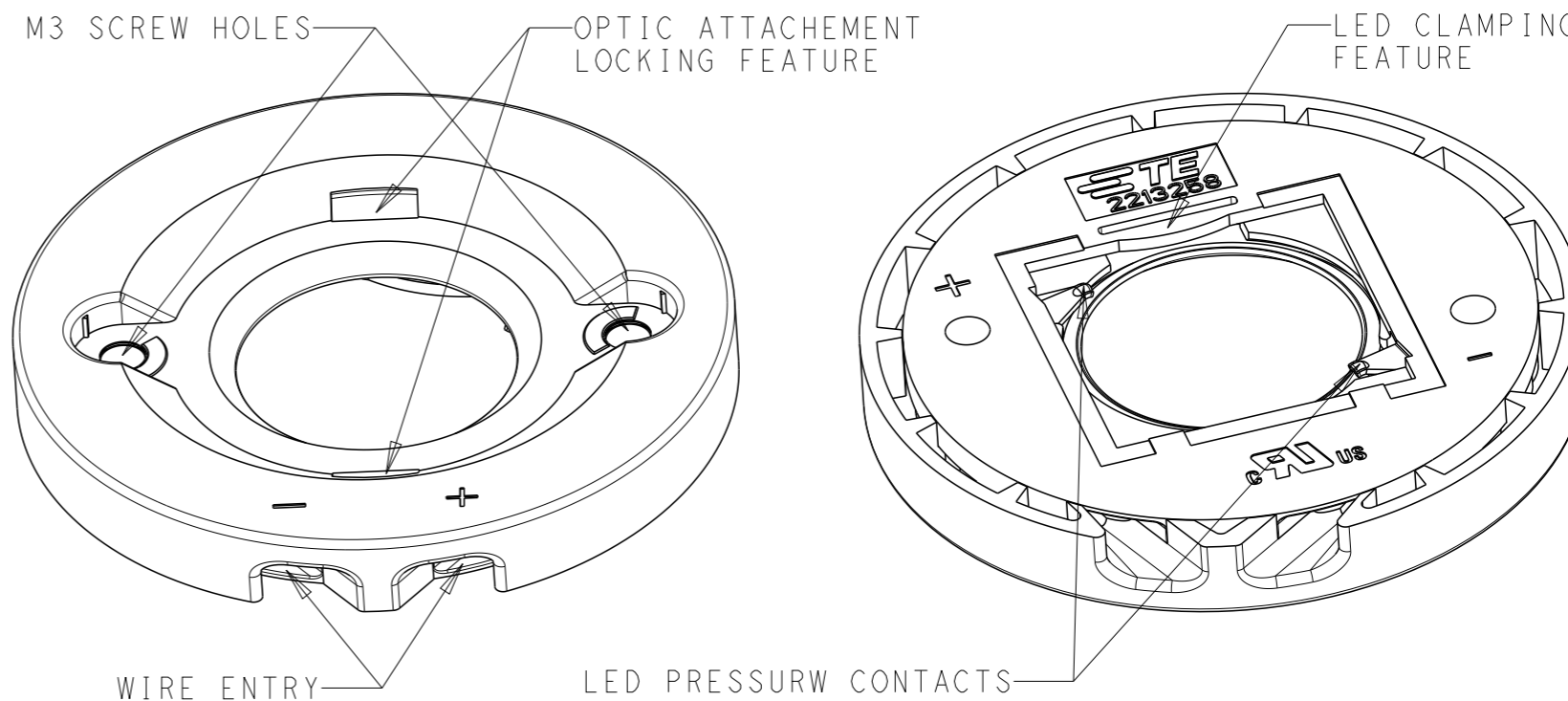
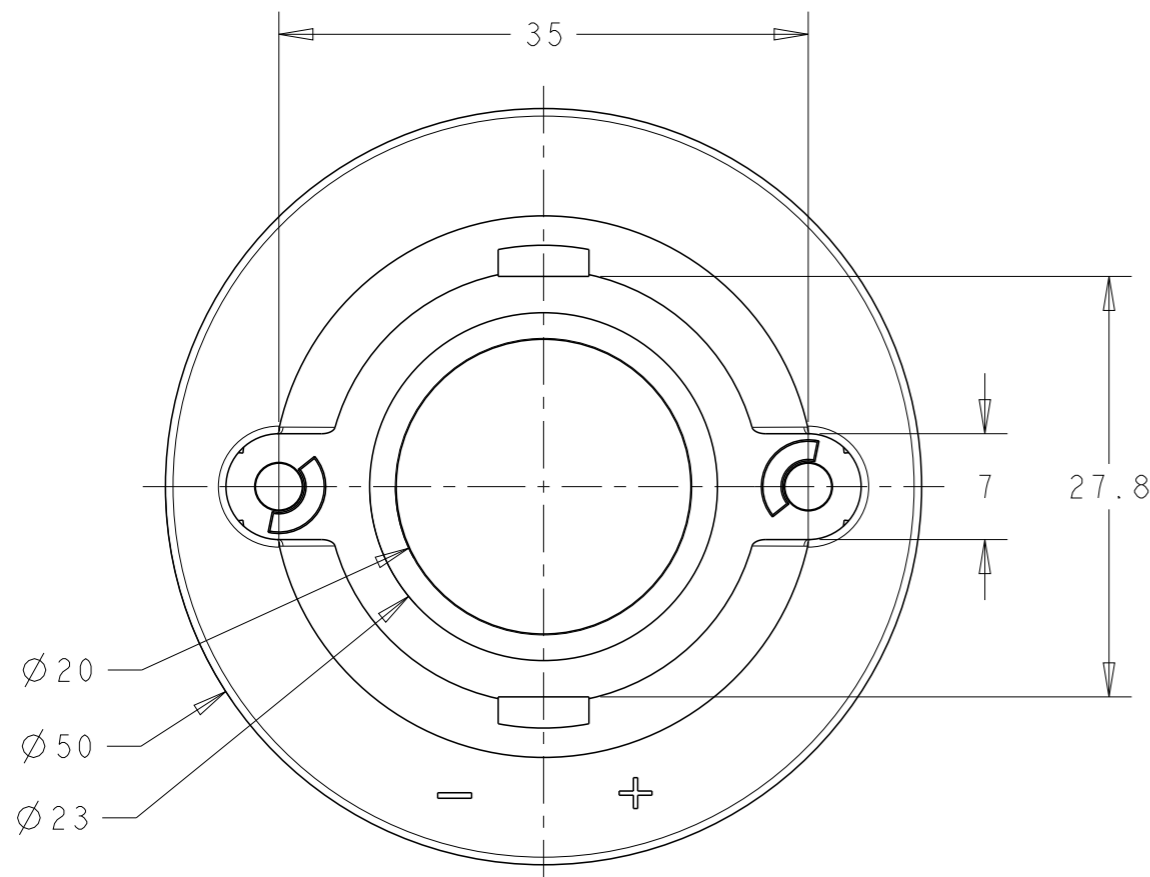
RELEASED FOR PUBLICATION

20

© COPYRIGHT 20 BY - ALL RIGHTS RESERVED.


REVISIONS

P	LTR	DESCRIPTION	DATE	DWN	APVD
-	-	SEE SHEET 1	-	-	-



2213258-2 AS SHOWN

Z50 LED HOLDER STANDARD PROFILE

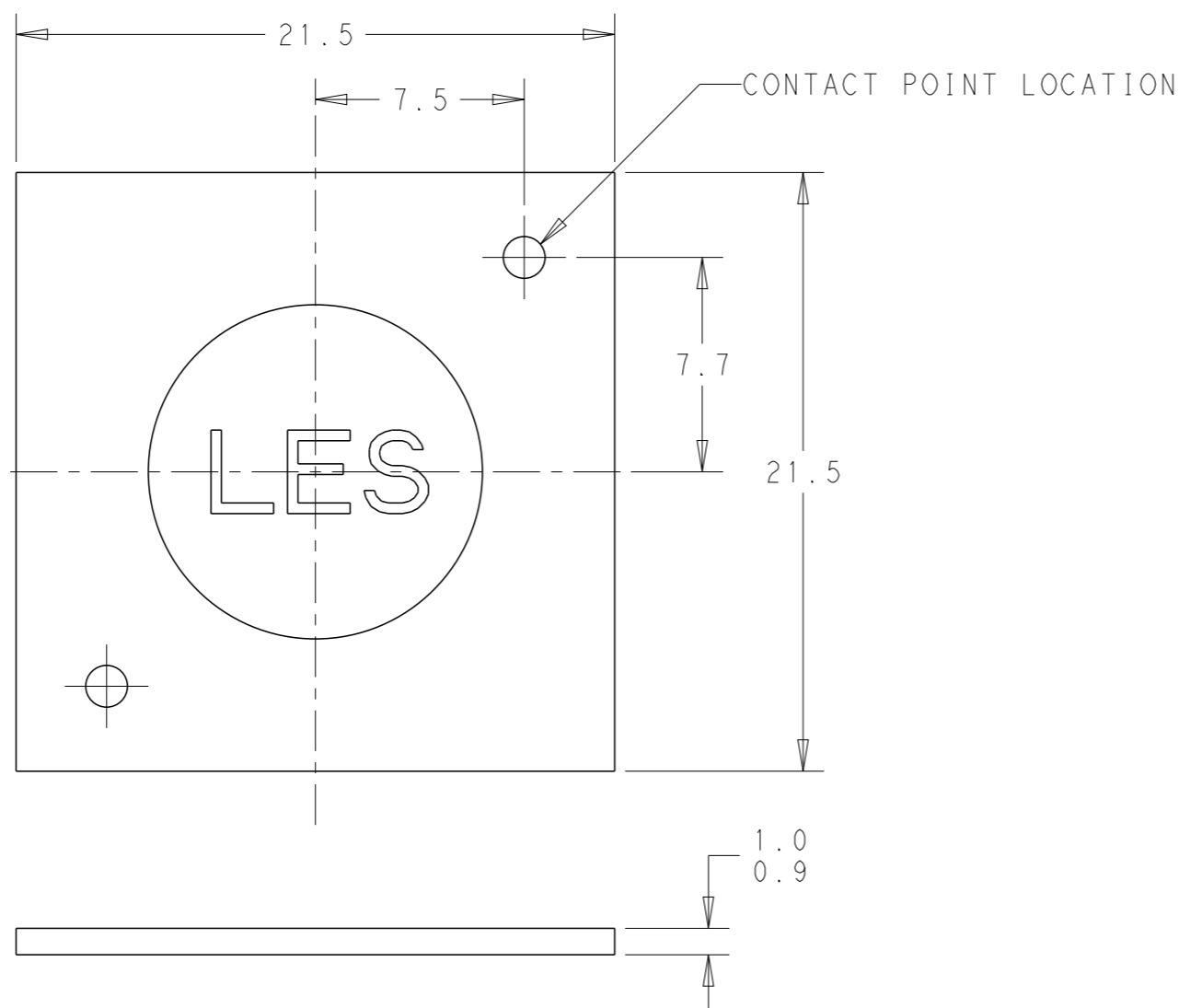
THIS DRAWING IS A CONTROLLED DOCUMENT.		DWN M.V.ESSSEN 07AUG2013	 TE Connectivity				
DIMENSIONS: mm		CHK M.V.ESSSEN 07AUG2013			NAME LUMAWISE Z50 LED HOLDER ASSY 2121		
TOLERANCES UNLESS OTHERWISE SPECIFIED:		APVD O.IEIJNSE 07AUG2013					
0 PLC ±- 1 PLC ±- 2 PLC ±- 3 PLC ±- 4 PLC ±- ANGLES ±-		PRODUCT SPEC 108-133008	SIZE A3	CAGE CODE 00779	DRAWING NO C-2213258	RESTRICTED TO -	
MATERIAL -		FINISH -	WEIGHT -	SCALE 2:1		SHEET 2 OF 3	REV C
CUSTOMER DRAWING							

REVISIONS

P	LTR	DESCRIPTION	DATE	DWN	APVD
	-	SEE SHEET 1	-	-	-

THE SKETCH BELOW IS SHOWING THE NOMINAL LED COB DIMENSION TO MATCH WITH THE Z50 LED HOLDER 2121

FOR TECHNICAL DETAILS ABOUT A PROPER MATCH WITH A SPECIFIC LED COB ARRAY PLEASE CONTACT A REPRESENTATIVE AT TE-CONNECTIVITY

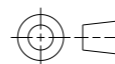


RELEASED LEDs

NAME	TYPE	DATA SHEET	REVISION	TE PART NUMBER
SAMSUNG	LC026B			2213258-1/2
SAMSUNG	LC040B			2213258-1/2
SAMSUNG	LC033B			2213258-1/2

THIS DRAWING IS A CONTROLLED DOCUMENT.

DIMENSIONS:  
mm



TOLERANCES UNLESS OTHERWISE SPECIFIED:

0 PLC	±-
1 PLC	±-
2 PLC	±-
3 PLC	±-
4 PLC	±-
ANGLES	±-

MATERIAL  
-

FINISH  
-

DWN 07AUG2013

M.V.ESSEN

CHK 07AUG2013

M.V.ESSEN

APVD 07AUG2013

O.I.FIJNSE

PRODUCT SPEC

108-133008

APPLICATION SPEC

114-32048

WEIGHT -

NAME  
LUMAWISE  
Z50 LED HOLDER ASSY 2121

SIZE CAGE CODE DRAWING NO RESTRICTED TO

A3 00779 C-2213258 -

CUSTOMER DRAWING SCALE 4:1 SHEET 3 OF 3 REV C

