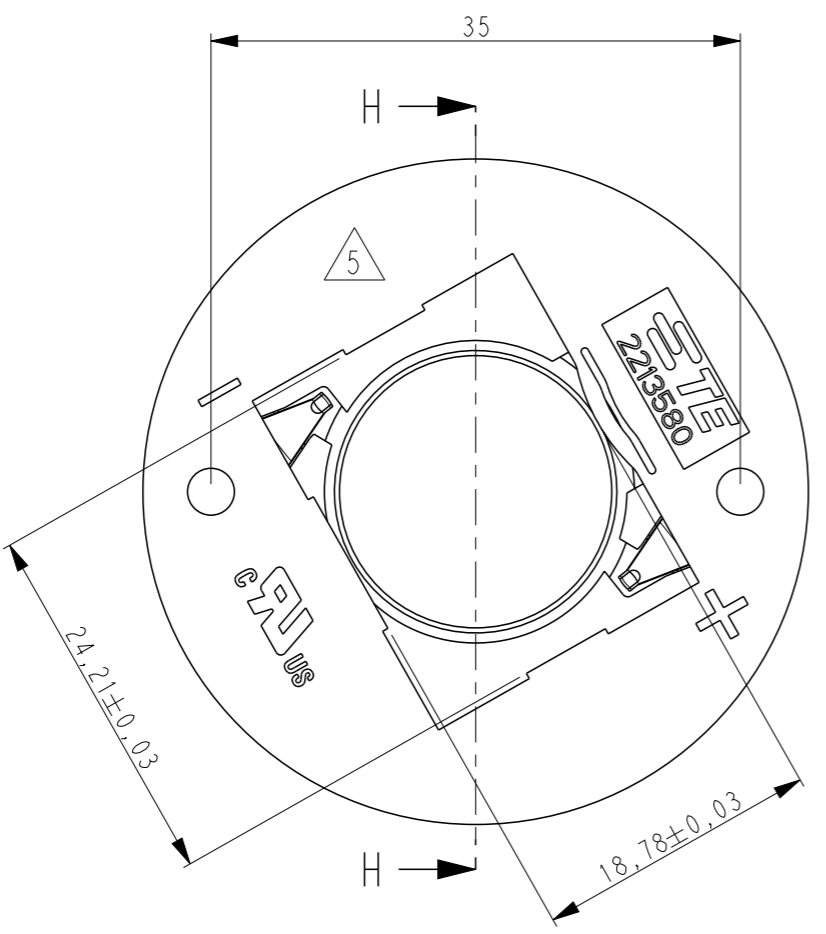
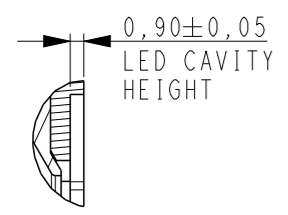
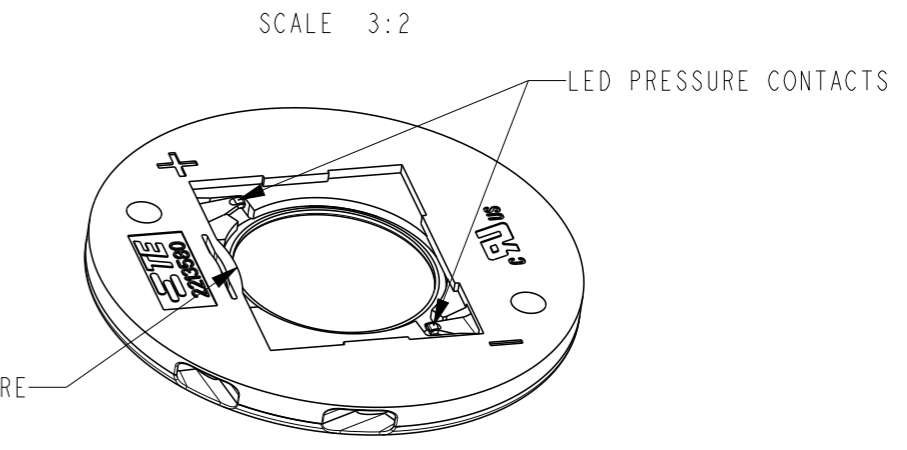
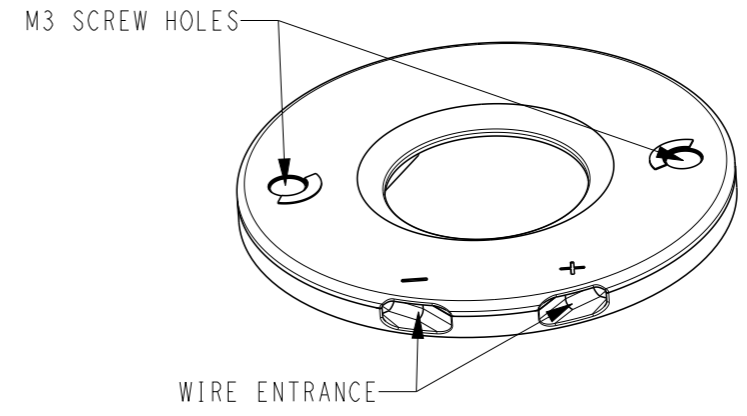
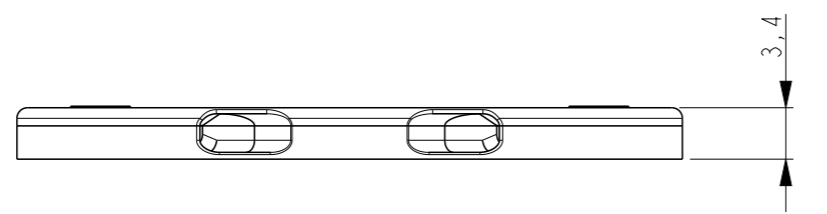
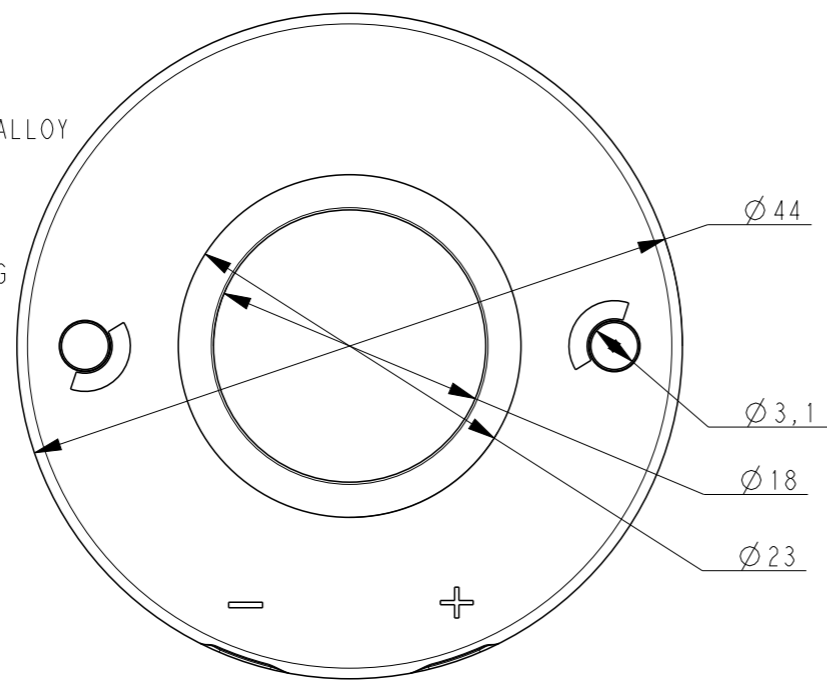


THIS DRAWING IS UNPUBLISHED. RELEASED FOR PUBLICATION  
 © COPYRIGHT - BY TYCO ELECTRONICS CORPORATION. ALL RIGHTS RESERVED.

LOC	DIST	REVISIONS			
P	LTR	DESCRIPTION	DATE	DWN	APVD
	A1	ECR-16-001206	27JAN2016	KR	MvE
	B	ADDED RELEASED LED	06FEB2017	KR	MvE
	C	REVISED PER ECR-17-005513	04APR2017	SK	MVE
	C1	REVISED PER ECR-17-016356	07NOV2017	RK	OL

- NOTES:
- MATERIALS:  
HOUSING: GLASS FILLED PBT, HALOGEN FREE FLAME RETARDANT, COLOR : NATURAL/WHITE  
CONTACTS: SILVER PLATED COPPER ALLOY
  - FOR SOLID AND STRANDED WIRE AWG 22-18
  - COMPLIES WITH DIRECTIVE 2002/95/EC (ROHS)
  - M3 SCREW TO BE USED FOR MOUNTING
- 5 DATE CODE YY-WW-D ANY WHERE EXCEPT OVER LOGO OR +/- SIGN.



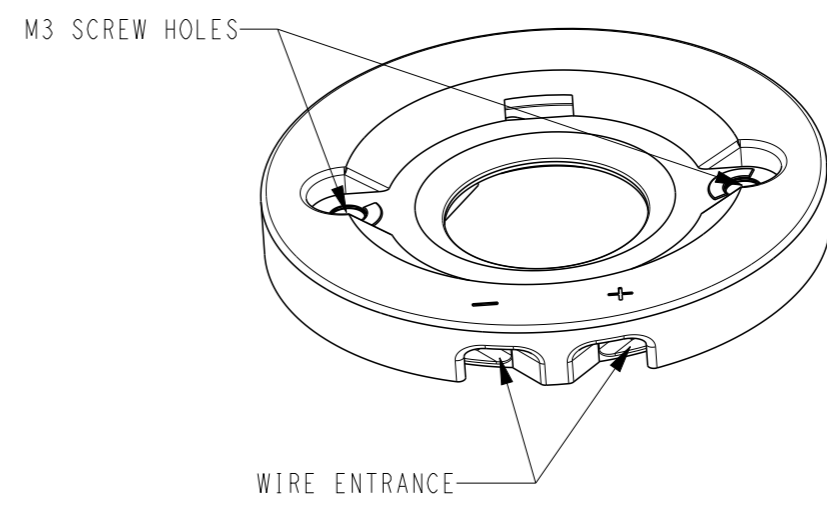
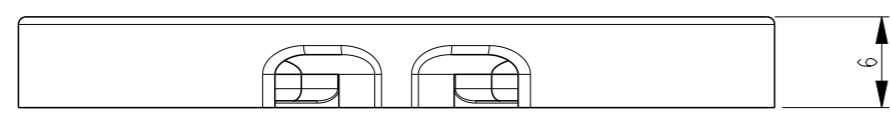
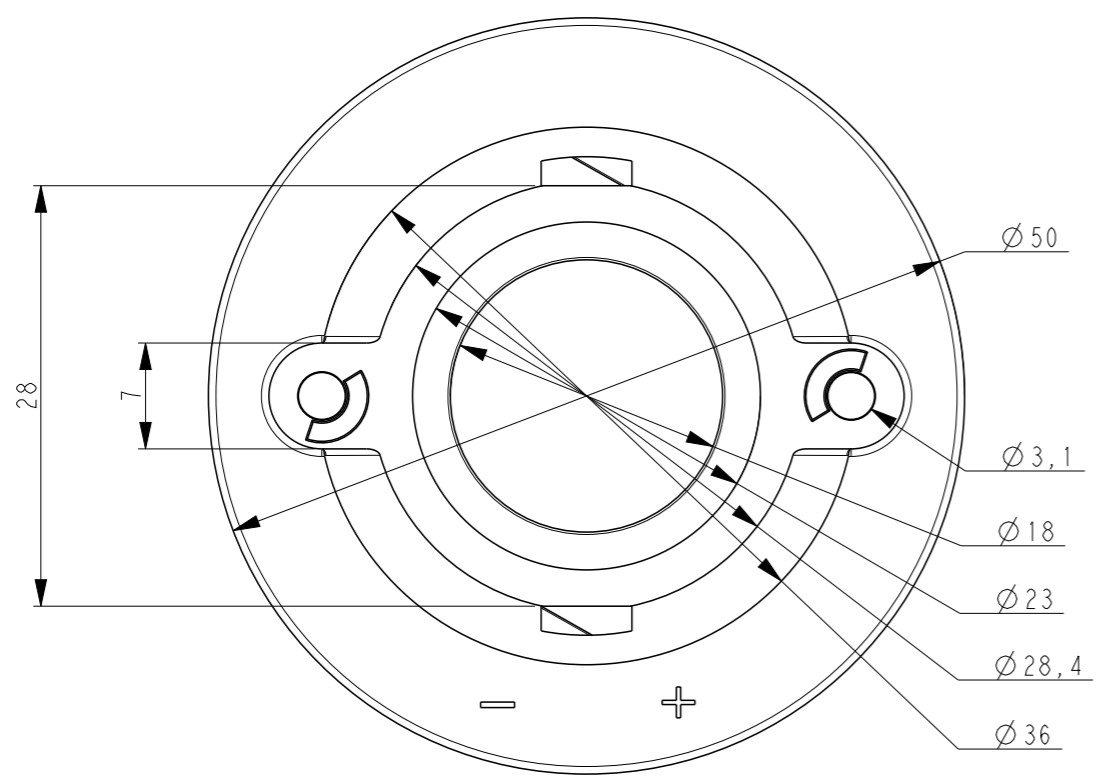
2213580-1 AS SHOWN  
LUMAWISE LED HOLDER Z50 LOW PROFILE

LUMAWISE LED HOLDER Z50 STANDARD PROFILE 1924	2213580-2
LUMAWISE LED HOLDER Z50 LOW PROFILE 1924	2213580-1
DESCRIPTION	PART NO

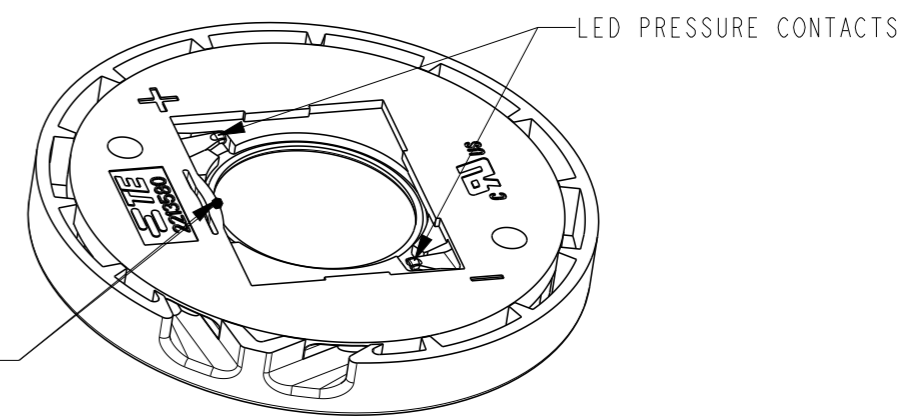
THIS DRAWING IS A CONTROLLED DOCUMENT. DIMENSIONING AND TOLERANCING PER ASME Y14.5M-2009.		DWN M.V.ESSSEN 3 NOV '14	TE Connectivity <b>LUMAWISE LED HOLDER Z50 1924</b>		
DIMENSIONS: mm		CHK C.V.STEENDEREN 6 NOV '14			
TOLERANCES UNLESS OTHERWISE SPECIFIED:		APVD O.IEIJNSE 7 NOV '14			
0 PLC ±- 1 PLC ±- 2 PLC ±- 3 PLC ±- 4 PLC ±- ANGLES ±-		PRODUCT SPEC 108-133008	NAME		
MATERIAL -		APPLICATION SPEC 114-32048	SIZE CAGE CODE DRAWING NO RESTRICTED TO		
FINISH -		WEIGHT -	A3 00779 C-2213580		
		Customer Drawing	SCALE 2:1	SHEET 1 OF 3	REV C1

THIS DRAWING IS UNPUBLISHED. RELEASED FOR PUBLICATION  
 © COPYRIGHT - BY TYCO ELECTRONICS CORPORATION. ALL RIGHTS RESERVED.

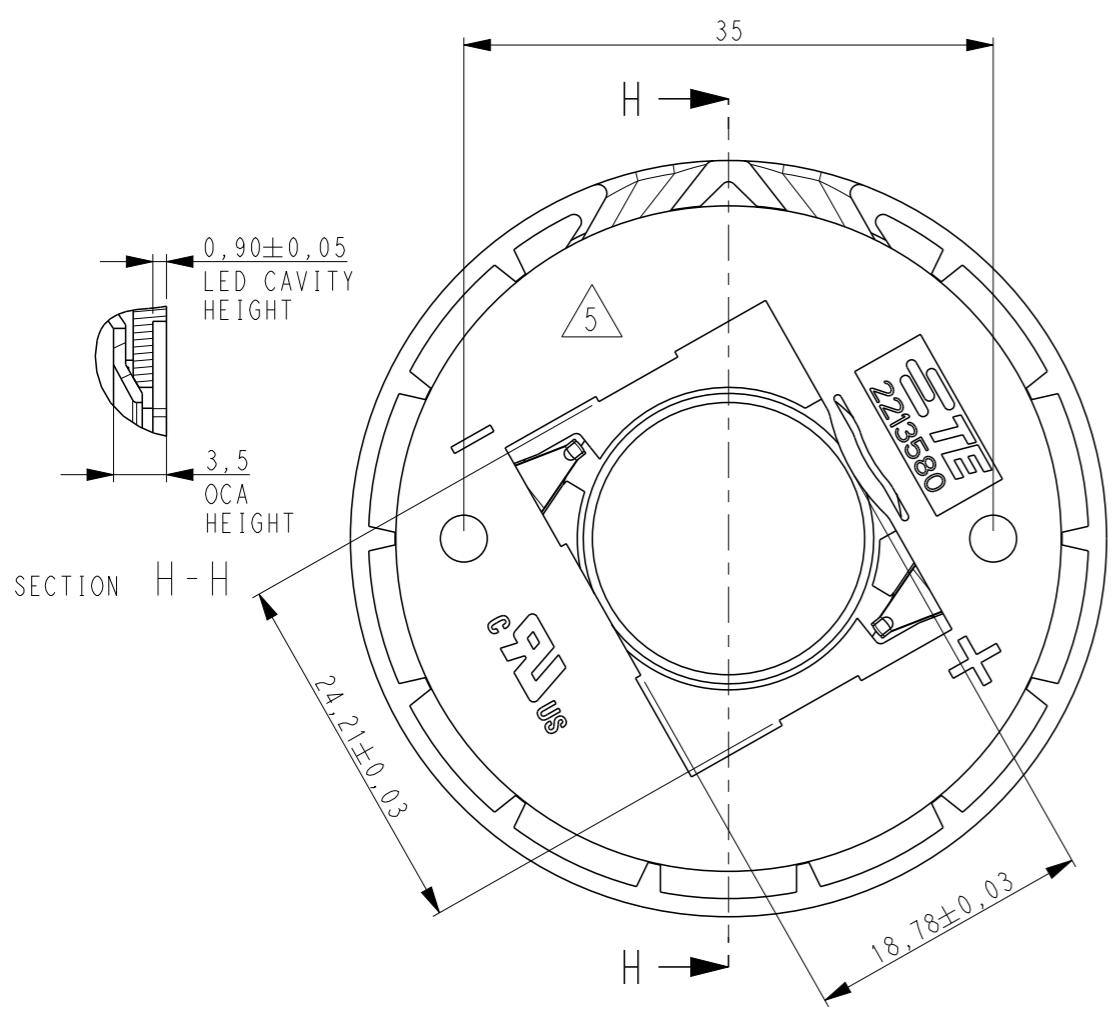
LOC	DIST	REVISIONS					
H	-	P	LTR	DESCRIPTION	DATE	DWN	APVD
			-	SEE SHEET 1	-	-	-



SCALE 3:2



2213580-2 AS SHOWN  
 LUMAWISE LED HOLDER Z50 STANDARD PROFILE

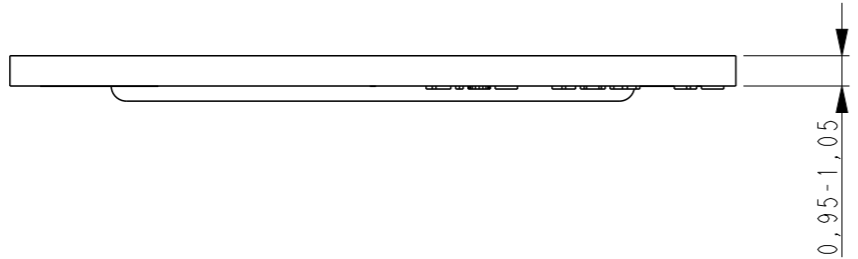
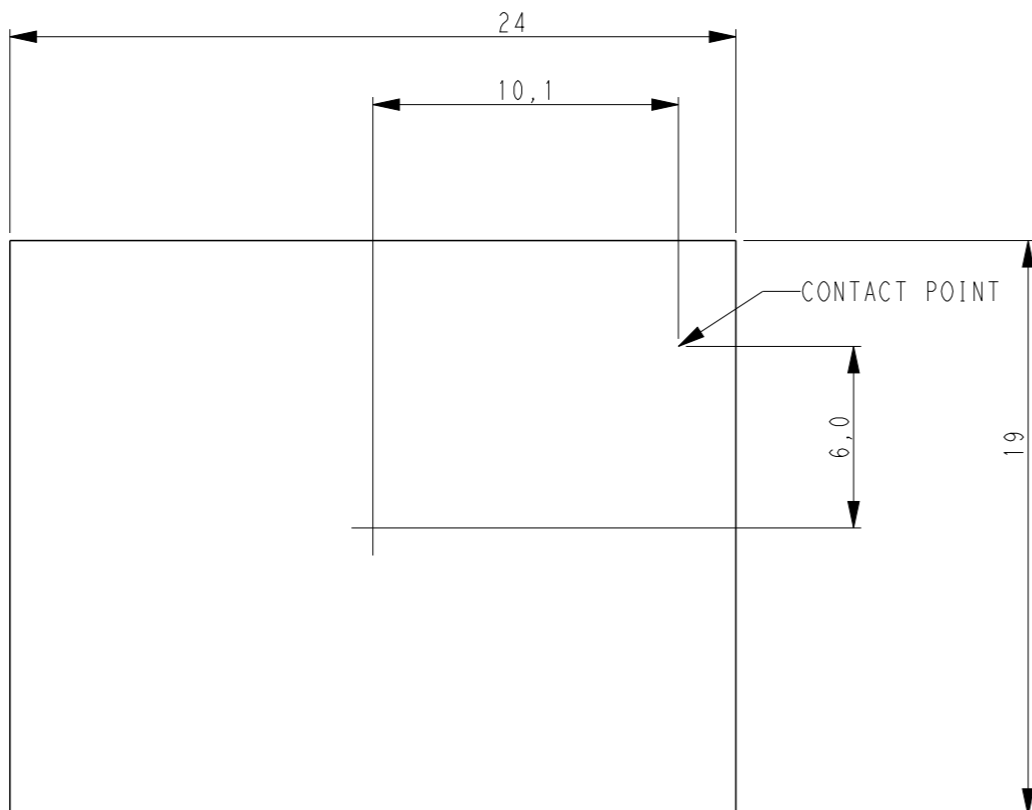


THIS DRAWING IS A CONTROLLED DOCUMENT.		DWN M.V.ESSSEN 3 NOV'14	TE Connectivity	
DIMENSIONS: mm		CHK C.V.STEENDEREN 6 NOV'14		
TOLERANCES UNLESS OTHERWISE SPECIFIED:		APVD O.I.FIJNSE 7 NOV'14	NAME LUMAWISE LED HOLDER Z50 1924	
0 PLC ±- 1 PLC ±- 2 PLC ±- 3 PLC ±- 4 PLC ±- ANGLES ±-		PRODUCT SPEC 108-133008	RESTRICTED TO	
MATERIAL -		APPLICATION SPEC 114-32048	SIZE A3	CAGE CODE 00779
FINISH -		WEIGHT -	DRAWING NO C-2213580	
		Customer Drawing	SCALE -	SHEET 2 OF 3 REV C1

THIS DRAWING IS UNPUBLISHED. RELEASED FOR PUBLICATION  
 © COPYRIGHT - BY TYCO ELECTRONICS CORPORATION. ALL RIGHTS RESERVED.

LOC	DIST	REVISIONS					
H	-	P	LTR	DESCRIPTION	DATE	DWN	APVD
			-	SEE SHEET 1	-	-	-

THE SKETCH BELOW IS SHOWING THE NOMINAL LED COB DIMENSIONS TO MATCH WITH THE LUMAWISE LED HOLDER Z50 1924. FOR TECHNICAL DETAILS ABOUT A PROPER MATCH WITH A SPECIFIC LED COB ARRAY PLEASE CONTACT A REPRESENTATIVE AT TE-CONNECTIVITY.



### RELEASED LEDs

NAME	TYPE	DATA SHEET	REVISION	TE PART NUMBER
NICHIA	NFDLJ130B	STS-DA1-3040		2213580-1/-2
NICHIA	NFDWJ130B	STS-DA1-3036		2213580-1/-2
NICHIA	NFCLJ108B	STS-DA1-3044		2213580-1/-2
NICHIA	NFCWJ108B	STS-DA1-3060		2213580-1/-2
NICHIA	NFDWJ130B-V2	STS-DAI 4612		2213580-1/-2

THIS DRAWING IS A CONTROLLED DOCUMENT.		DWN M.V.ESSSEN 3 NOV '14	TE Connectivity	
DIMENSIONS: mm		CHK C.V.STEENDEREN 6 NOV '14		
TOLERANCES UNLESS OTHERWISE SPECIFIED:		APVD O.IEIJNSE 7 NOV '14	NAME LUMAWISE LED HOLDER Z50 1924	
0 PLC ±- 1 PLC ±- 2 PLC ±- 3 PLC ±- 4 PLC ±- ANGLES ±-		PRODUCT SPEC 108-133008	RESTRICTED TO	
MATERIAL -		APPLICATION SPEC 114-32048	SIZE A3	CAGE CODE 00779
FINISH -		WEIGHT -	DRAWING NO G-2213580	
Customer Drawing			SCALE -	SHEET 3 OF 3
			REV C1	