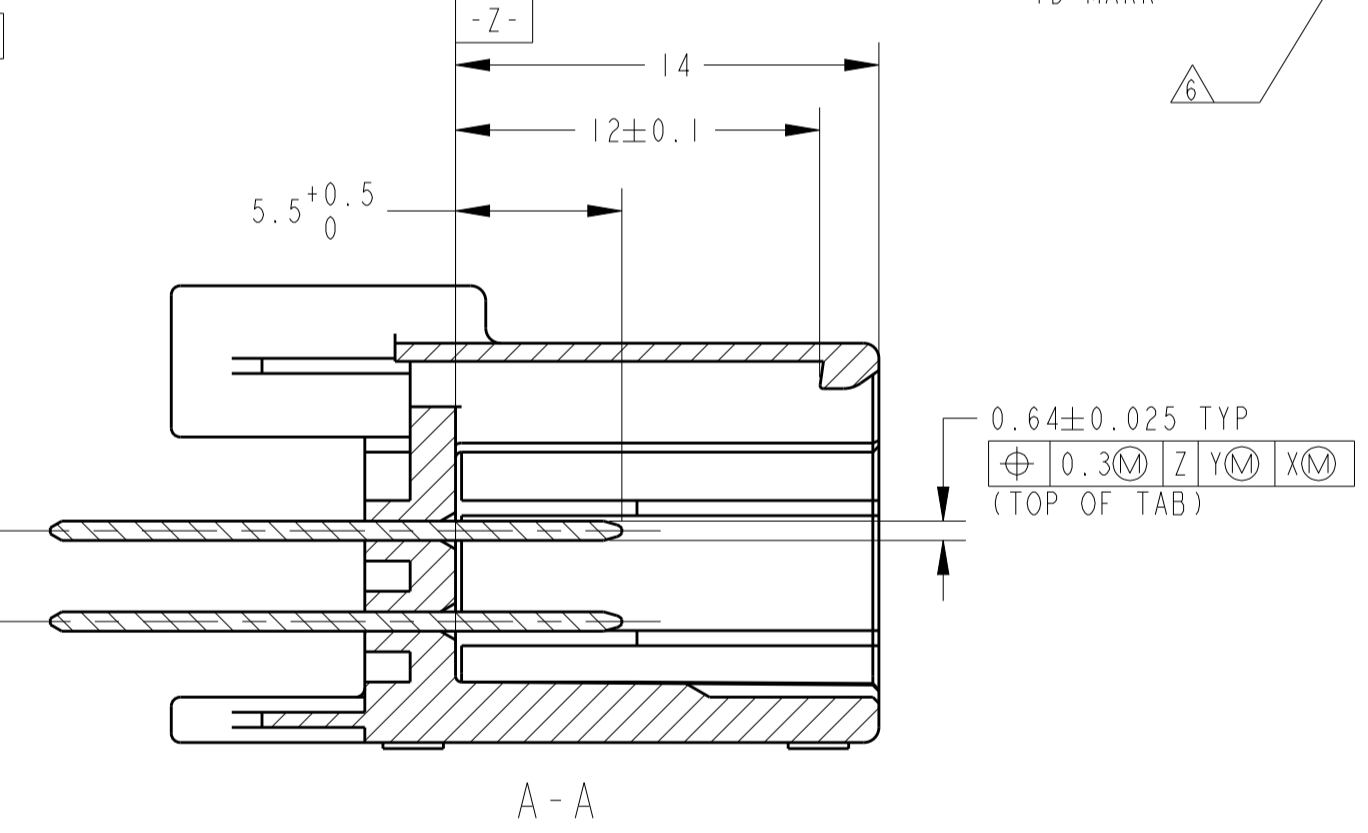
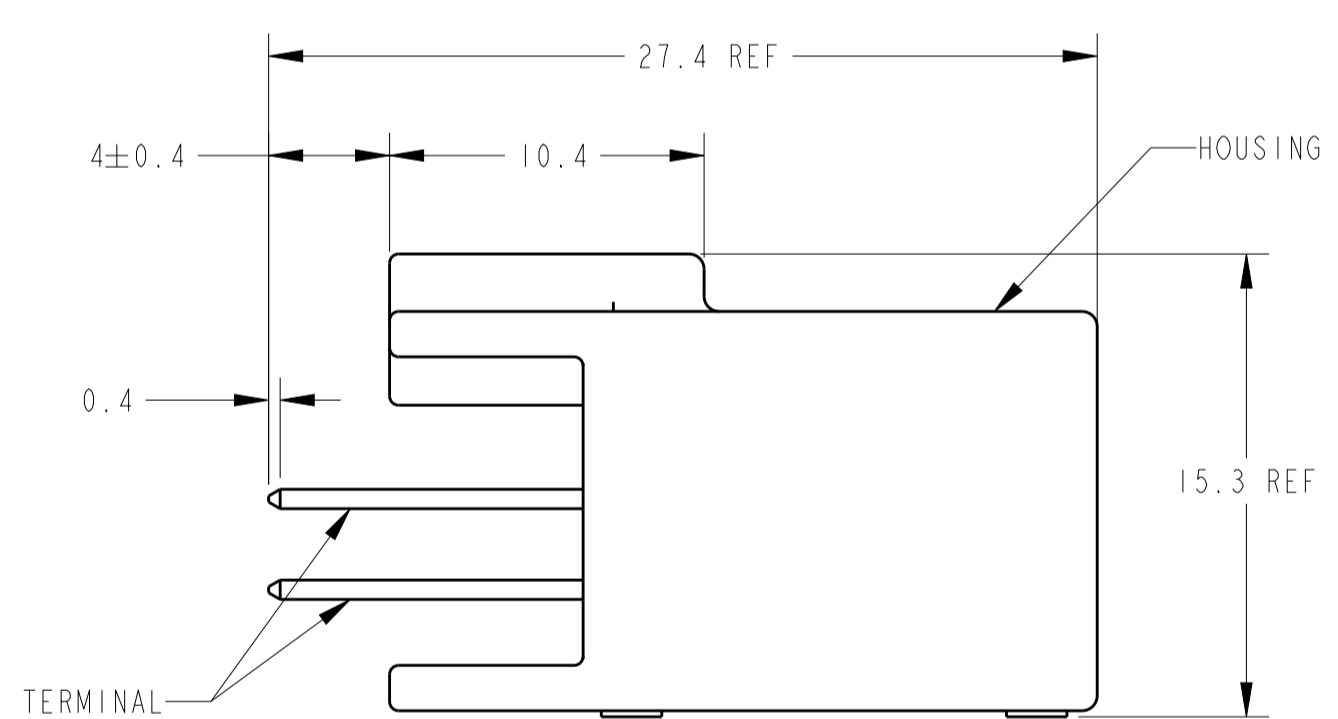
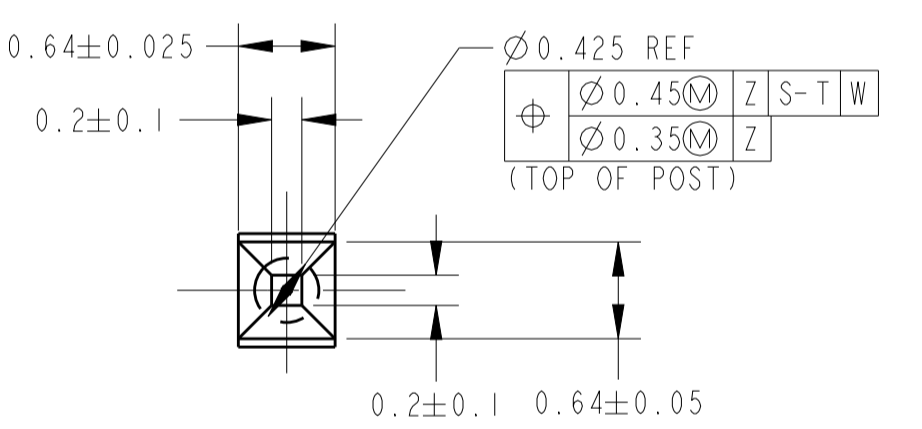
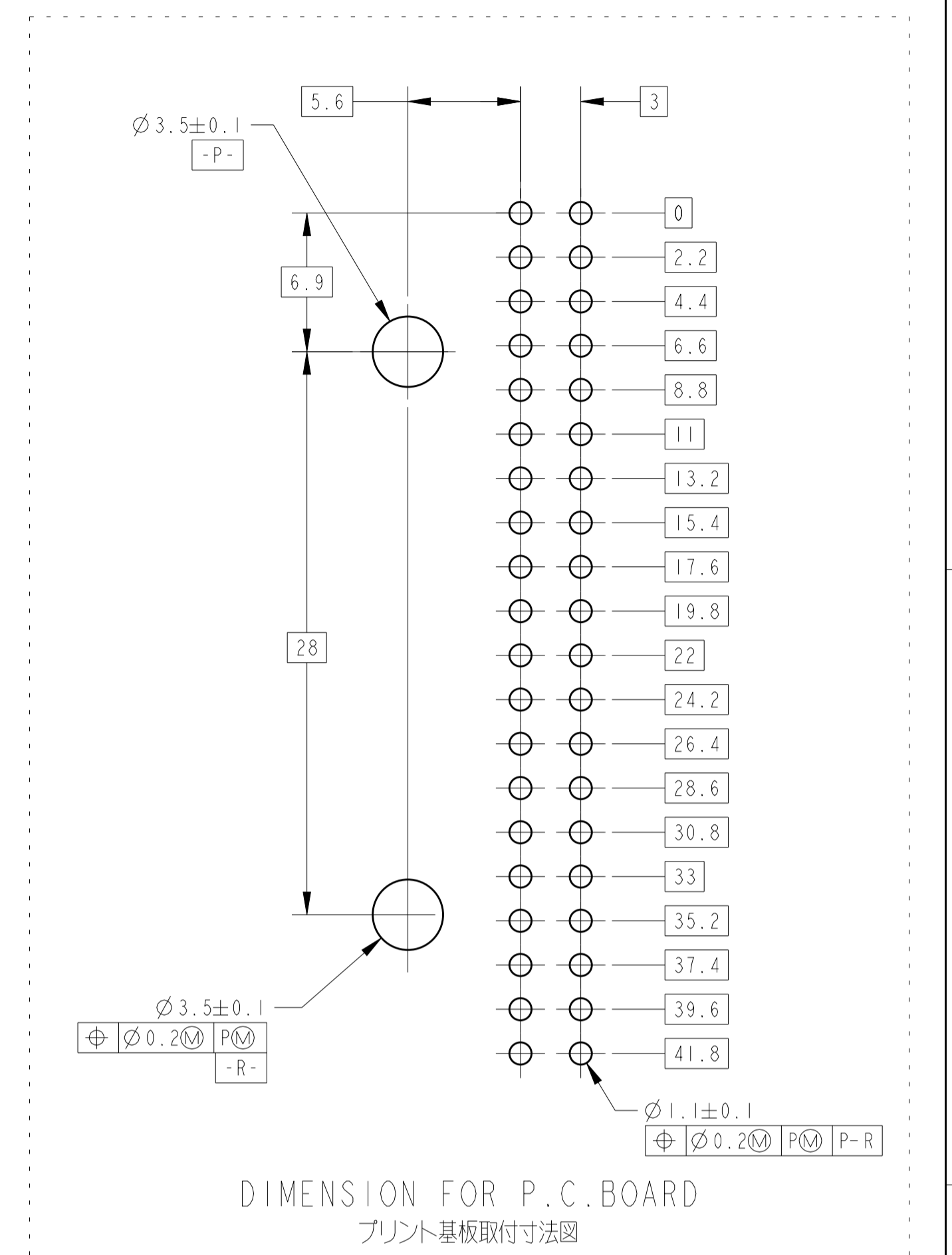
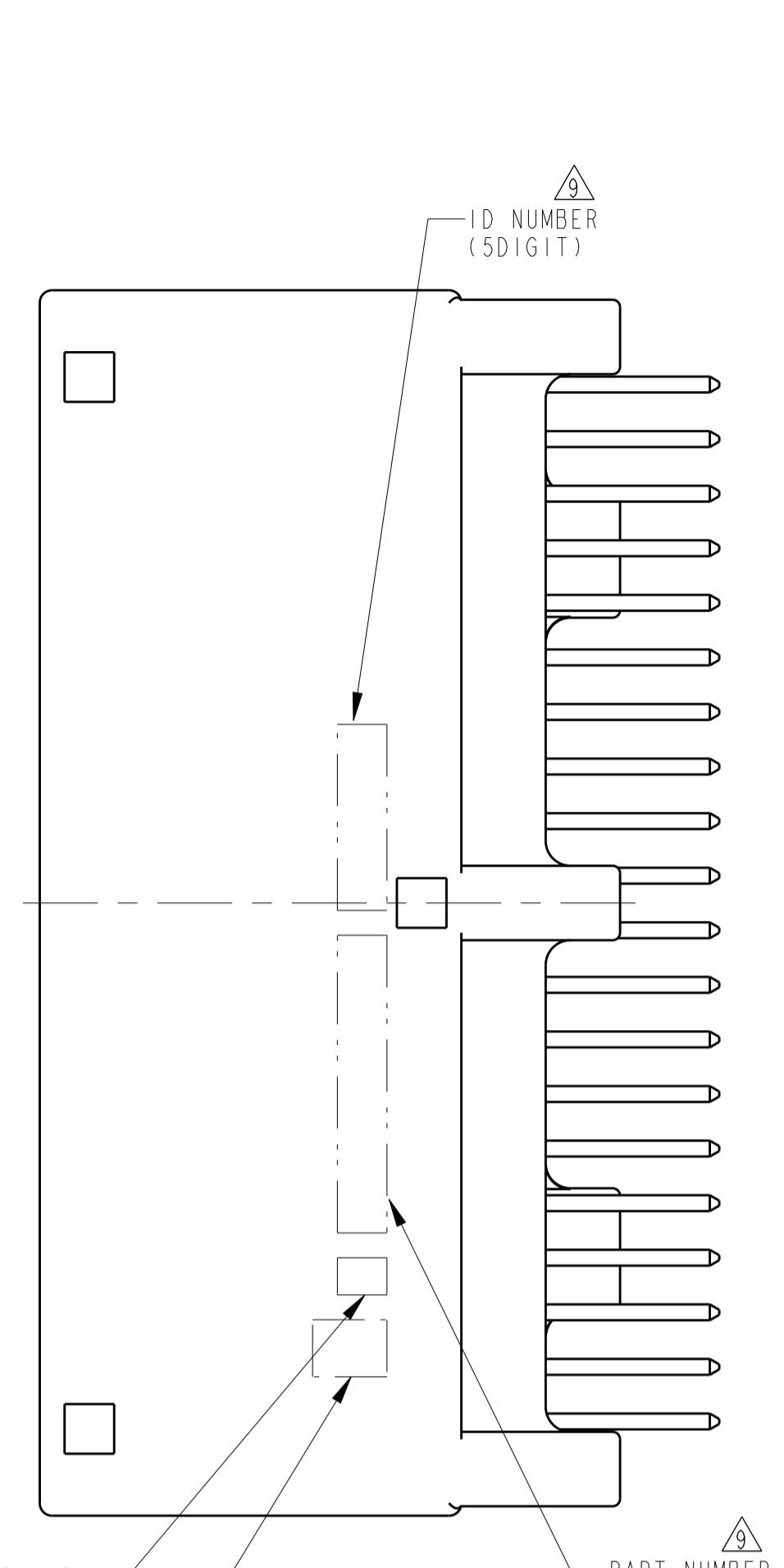
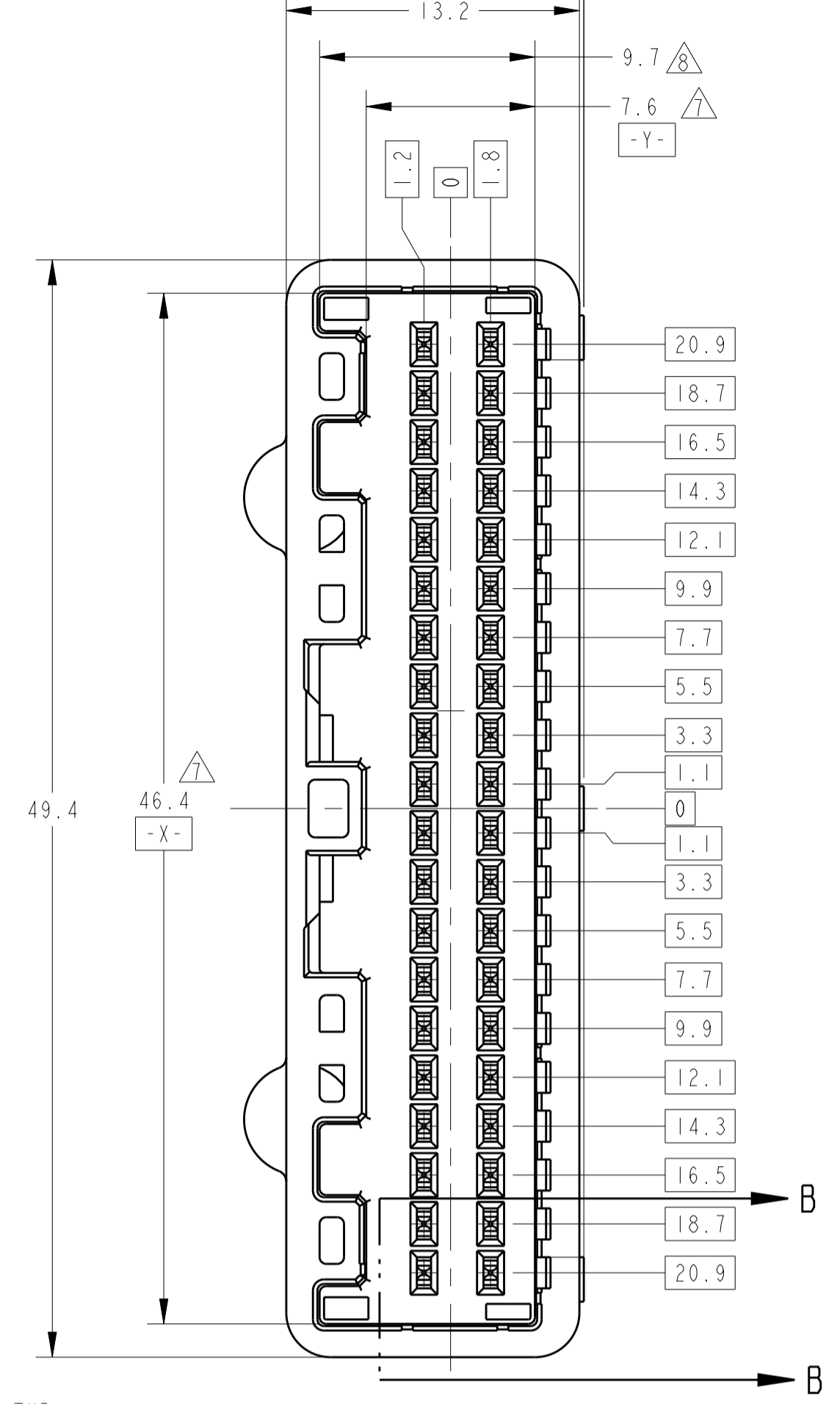
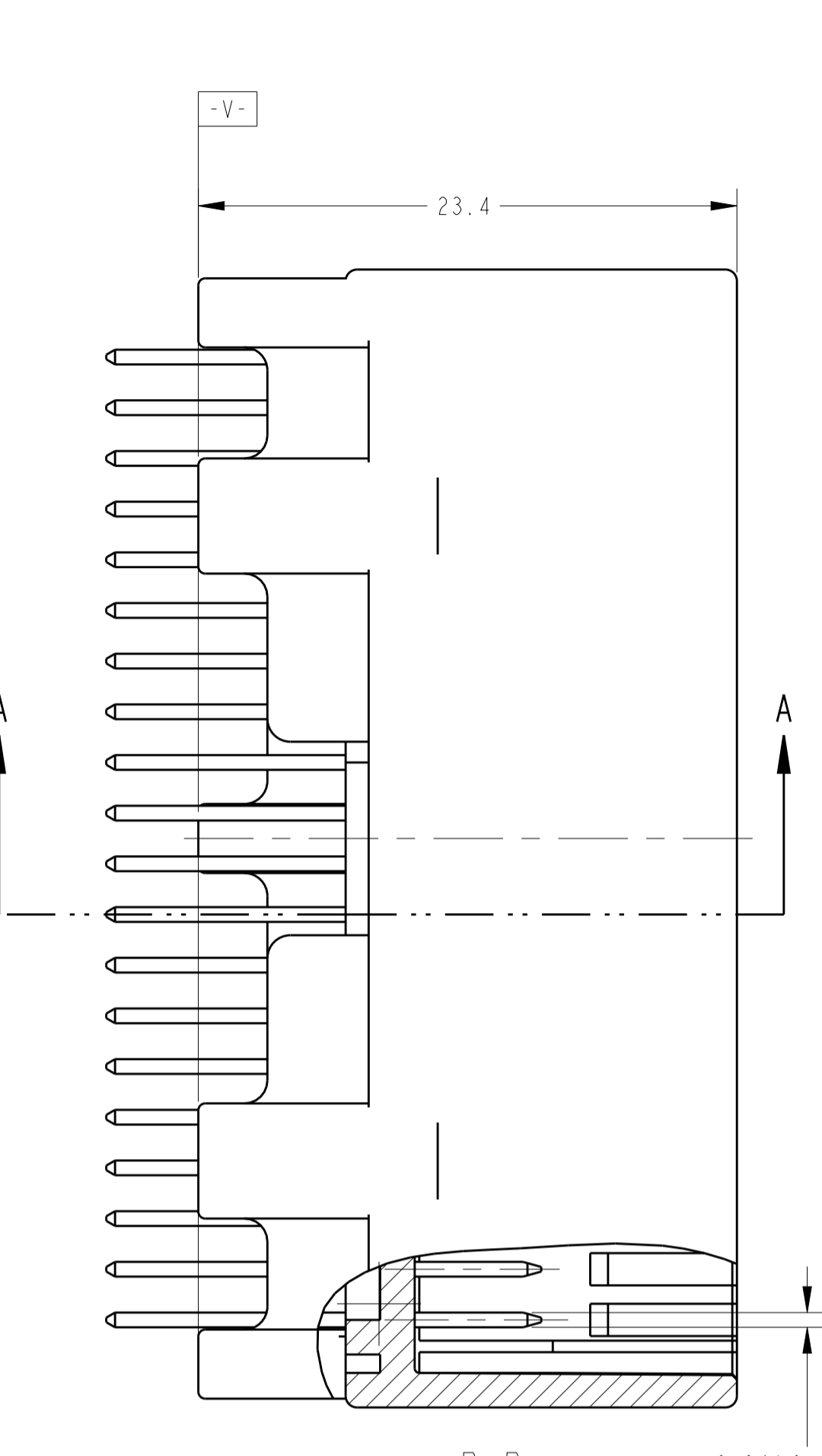
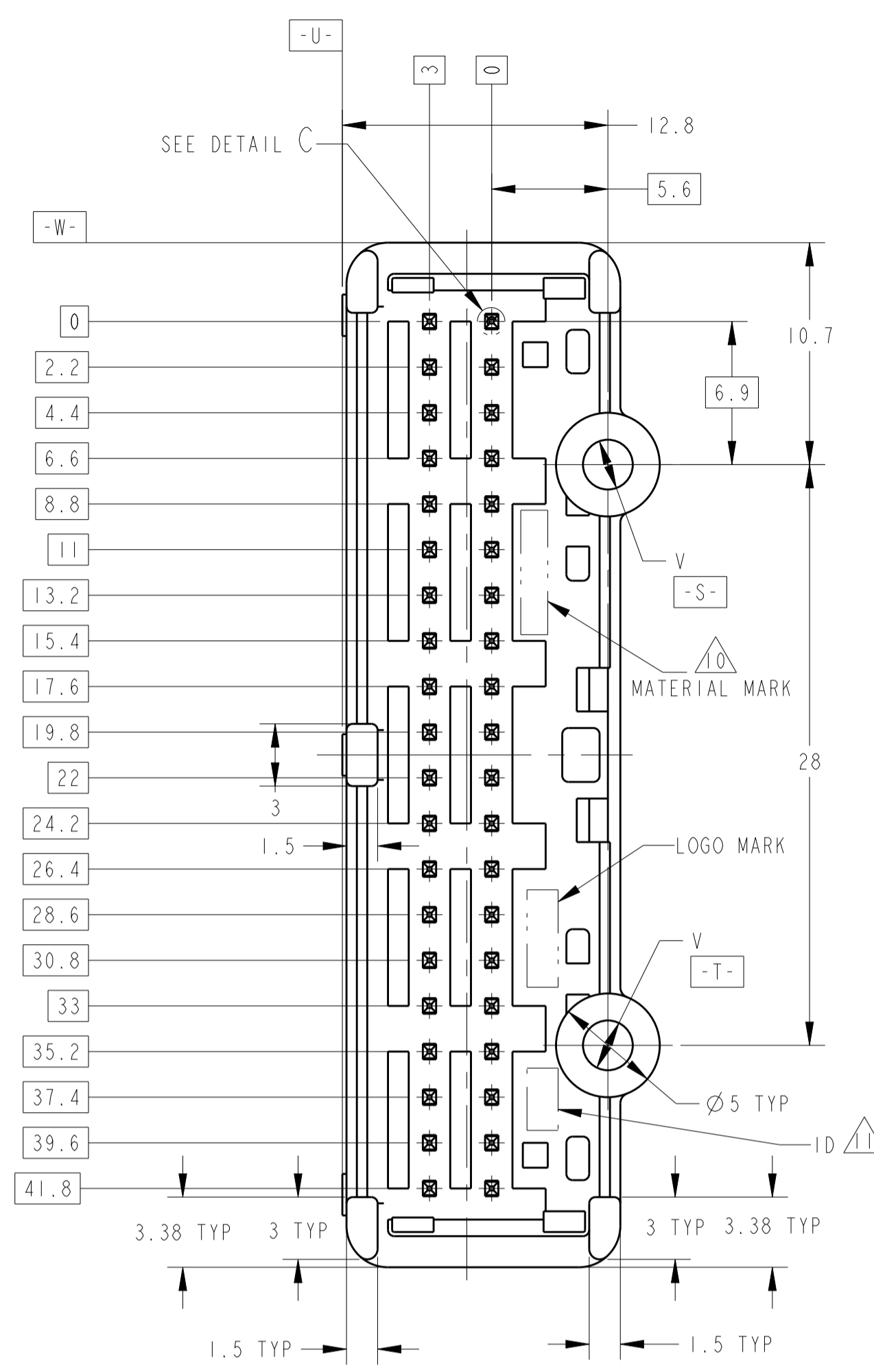


REV.	DATE	BY	CHK	DESCRIPTION
C3	09APR11	RK	HMR	REVISED PER ECO-11-005140
C4	25AUG15	TM	KK	REVISED PER ECO-15-012539



1. 適合相手ハウジング番号は、TABLE-1参照。
プラグハウジングアセンブリと支障なく取合すること。
 2. 推奨取付ねじ：JIS B1115, B1122 タッピングねじ
なべ2種、厚み径3、長さ：TABLE-3 参照
 3. ねじ締めトルク：0.392N・m 最大
 4. 取扱説明書No：411-5928
 5. 適用メス線径はTABLE-2 参照
- △. コンタクト仕上識別記号：表参照。
△. [-Z-] 面から6mmの範囲で測定。
△. [-Z-] 面から2mmの範囲で測定。
△. 型番1376113-8, -9, 1-1, 1-3, 1-5にのみ印字される。
△. 材料マーク
△. 1-1376113-3のみ
1. MATING CONNECTOR PART NUMBER; SEE TABLE-1.
TO BE MATED SMOOTHLY WITH THE PLUG HOUSING ASSEMBLY.
 2. RECOMMENDED SCREW: PAN-HEADED.
TYPE 2 TAPPING SCREW OF DIA 3mm LENGTH: SEE TABLE-3
REFER TO JIS B1115, B1122
 3. FASTENING TORQUE FOR SCREW: 0.392N
 4. INSTRUCTION SHEET NO: 411-5928
 5. APPLIED TERMINAL: SEE TABLE-2.
- △. IDENTIFICATION MARK FOR THE CONTACT FINISH: SEE TABLE.
△. MEASURED AT 6mm FROM [-Z-]
△. MEASURED AT 2mm FROM [-Z-]
△. MARKED ONLY ON THE PART NUMBER 1376113-8 AND 1376113-9,
1-1376113-1, 1-1376113-3, 1-1376113-5.
△. MATERIAL MARK
△. 1-1376113-3 ONLY

TABLE-1

POS. 極数	TYPE	PLUG HOUSING PART No. プラグハウジング型番
40	CRIMP	1318389
40	IDC	1318691 1318695

TABLE-2

SIGNAL	TIN	TERMINAL No. 端子番号	APPLICABLE WIRE RANGE (FEMALE) 適用電線(メス)
025		1123343-1	AVSS/CAVS/CAVUS 0.3~0.5mm ² AVSSH-f 0.3~0.5mm ²

TABLE-3

THICKNESS PF PCB (mm) フロント基板板厚 (mm)	1.2	1.6
NOMINAL LENGTH OF SCREW (mm) 固定用ネジ着下長さ (mm)	5	6

3	1	3	6	5	4	1	1	MARKING	MATERIAL MARK	WEIGHT (g) 質量	V	PACKING STYLE 梱包形態	CONTACT FINISH コンタクト仕上	HOUSING ハウジング	PART NUMBER 製品番
>SPS-GF17<	>PBT-GF30<	>SPS-GF17<	>SPS-GF17<	>PBT-GF30<	>PBT-GF30<	>PBT-GF30<	>PBT-GF30<	△	△				SELECTIVE-TIN (MATTE)	SELECTIVE-TIN (BRIGHT)	1-1376113-5
													PRE-TIN x 40	PBT GF30	1-1376113-3
													SELECTIVE-TIN (MATTE)	SELECTIVE-TIN (BRIGHT)	1-1376113-1
													SELECTIVE-TIN (MATTE)	SELECTIVE GOLD	1376113-9
													SELECTIVE-TIN (MATTE)	SELECTIVE-TIN (BRIGHT)	1376113-8
SEE DWG 1376113-5															
													SELECTIVE-TIN (MATTE)	SELECTIVE TIN x 38 SELECTIVE GOLD x 2	1376113-6
SEE DWG 1376113-5															
													PRE-TIN x 40	PBT GF30	1376113-2
													PRE-TIN x 40	PBT GF30	1376113-1
													SOLDERING SIDE 半田付け部	CONTACT SIDE 接点部	
													MATERIAL 材料	COLOR 色	

THIS DRAWING IS A CONTROLLED DOCUMENT. OWN: R. KOMIYAMA 22JUN00, CHK: N. SAI 22JUN00, APVD: N. SAI 22JUN00. DIMENSIONS: mm. TOLERANCES UNLESS OTHERWISE SPECIFIED: 0-PHOS: ±0.3, 1-PLC: ±, 2-PLC: ±, 3-PLC: ±, 4-PLC: ±. MATERIAL: CONTACT: BRASS, HOUSING: SEE TABLE. FINISH: SEE TABLE. WEIGHT: SEE TABLE. CUSTOMER DRAWING. DATE: 114-5250. SIZE: A1. SHEET: 1 OF 2. REV: C4.

STE TE Connectivity
025 SERIES 40P(PCB V-TYPE) CAP HSG ASSY

THIS DRAWING IS UNPUBLISHED.

RELEASED FOR PUBLICATION

© COPYRIGHT 2011

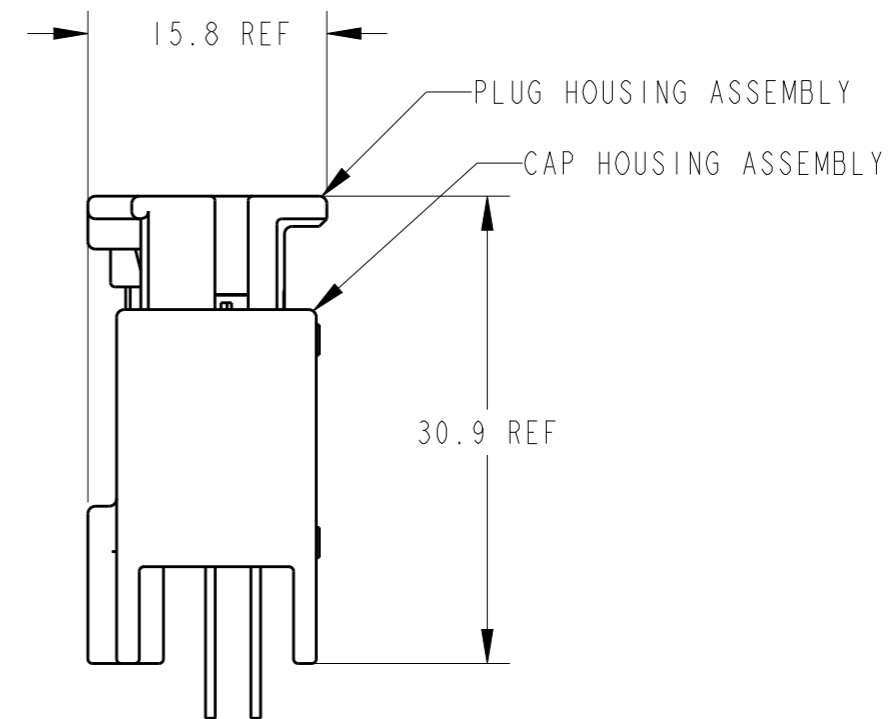
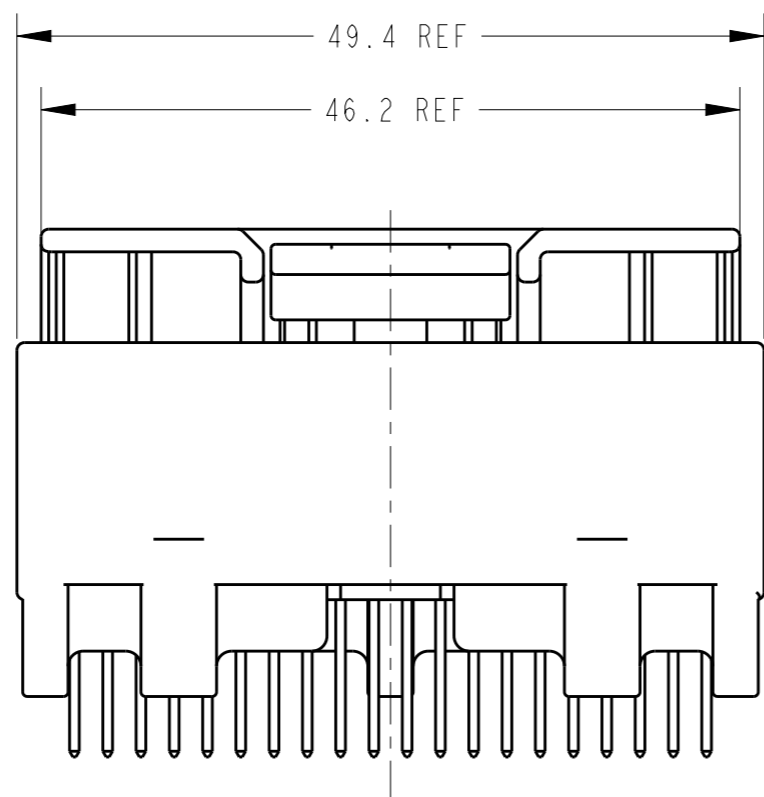
ALL RIGHTS RESERVED.

LOC
J

DIST
-

REVISIONS
変更

P	LTR	DESCRIPTION	DATE	DWN	APVD
-	-	SEE SHEET 1	-	-	-



CAP ASSEMBLY & PLUG ASSEMBLY ENGAGEMENT DRAWING
 キャップアッセンブリ & プラグアッセンブリ 嵌合図

THIS DRAWING IS A CONTROLLED DOCUMENT.

DIMENSIONS: 単位: 毫 mm		TOLERANCES UNLESS OTHERWISE SPECIFIED:	
		一般公差	±
		0 PLC	±0.1
		1 PLC	±0.01
		2 PLC	±0.001
		3 PLC	±0.000J
4 PLC	±0.000J	ANGLES	±1.00'
MATERIAL 材料	-	FINISH 仕上	-

DWN	-
CHK	-
APVD	-
PRODUCT SPEC	SEE 1 OF 2
APPLICATION SPEC	SEE 1 OF 2
WEIGHT	SEE 1 OF 2
Customer Drawing	

STE TE Connectivity

NAME
名称 025 SERIES 40P(PCB V-TYPE)
CAP HSG ASSY

SIZE	CAGE CODE	DRAWING NO	RESTRICTED TO
A3	00779	C=1376113	-

SCALE 4:1 SHEET 2 OF 2 REV C4