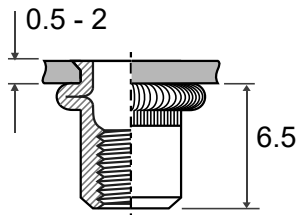
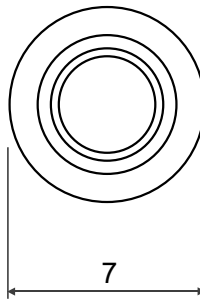


6.4 - 6.5



0.5 - 2

6.5



7

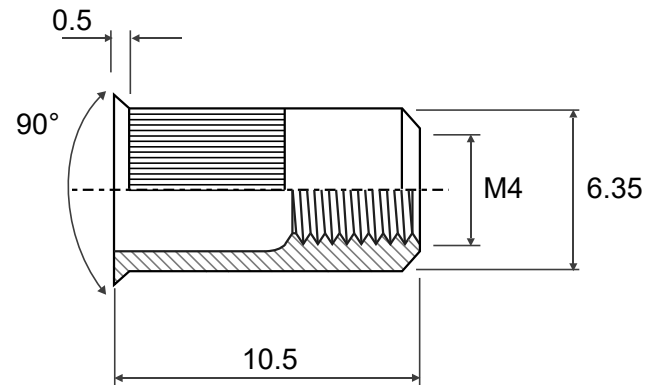
Approximate Performance in Laboratory Tests

Tensile Strength: 6800 N

Direct Torque: 3 Nm

Body Torque: 0.8 Nm

Shear Strength: 1500 N



	Material		Customer Part No.	
	Finish		Web Ref No	