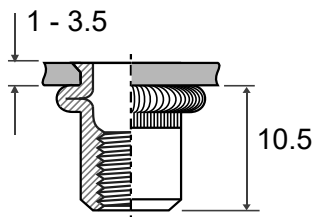
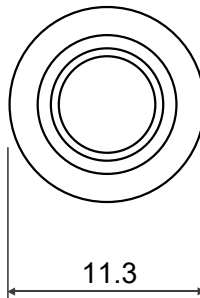


10.6 - 10.7



1 - 3.5

10.5



11.3

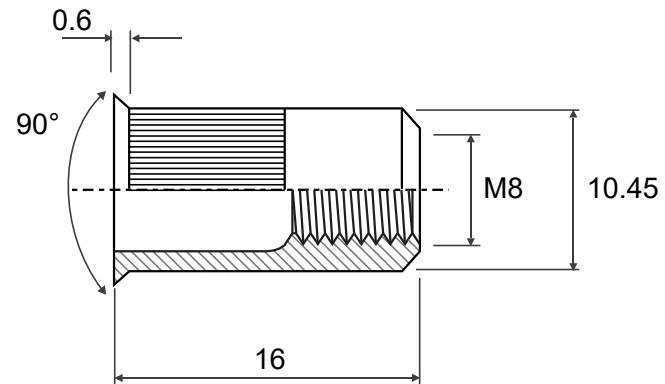
Approximate Performance in Laboratory Tests

Tensile Strength: 25000 N

Direct Torque: 20 Nm

Body Torque: 4.5 Nm

Shear Strength: 4400 N



	Material		Customer Part No.	
	Finish		Web Ref No	