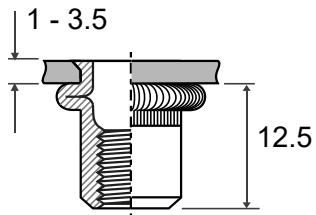
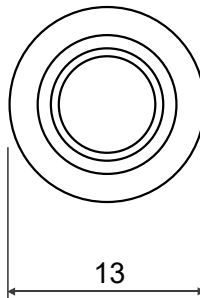


12 - 12.1



1 - 3.5

12.5



13

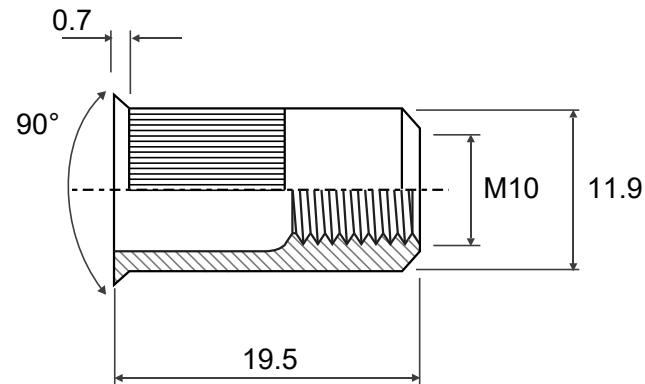
Approximate Performance in Laboratory Tests

Tensile Strength: 32000 N

Direct Torque: 32 Nm

Body Torque: 8.5 Nm

Shear Strength: 5000 N



	Material		Customer Part No.	
	Finish		Web Ref No	