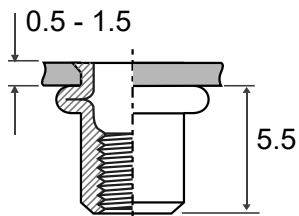
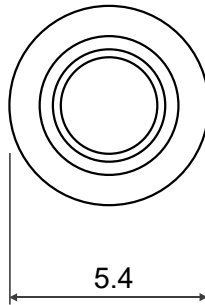


4.8 - 4.9

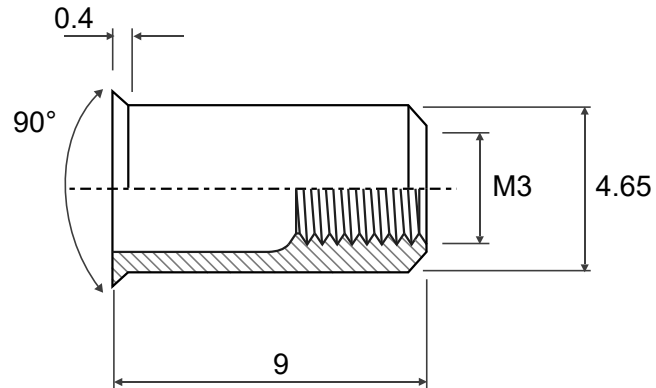


0.5 - 1.5

5.5



5.4



0.4

90°

M3

4.65

9

Approximate Performance in Laboratory Tests

Tensile Strength: 3900 N

Direct Torque: 1 Nm

Body Torque: 0.4 Nm

Shear Strength: 900 N

	Material		Customer Part No.	
	Finish		Web Ref No	