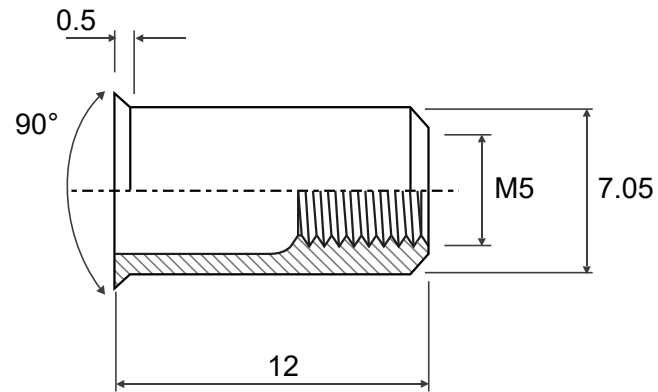


Approximate Performance in Laboratory Tests

Tensile Strength: 11500 N
Direct Torque: 6 Nm
Body Torque: 1.5 Nm
Shear Strength: 2000 N



| | | | | |
|--|----------|--|-------------------|--|
| | Material | | Customer Part No. | |
| | Finish | | Web Ref No | |