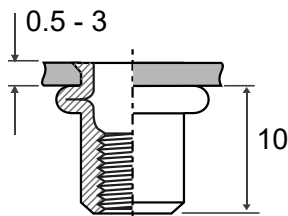
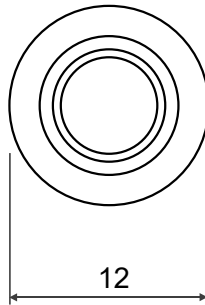


11 - 11.1

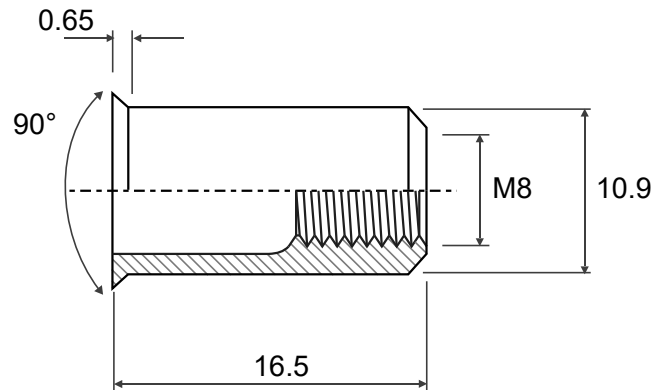


0.5 - 3

10



12



0.65

90°

M8

10.9

16.5

Approximate Performance in Laboratory Tests

Tensile Strength: 25000 N

Direct Torque: 20 Nm

Body Torque: 4.5 Nm

Shear Strength: 4400 N

	Material		Customer Part No.	
	Finish		Web Ref No	