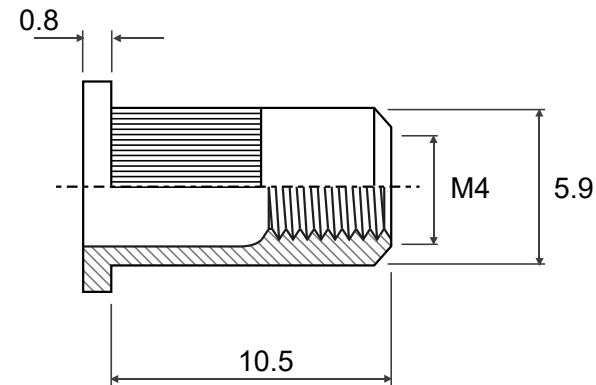


Approximate Performance in Laboratory Tests

Tensile Strength: 6800 N  
Direct Torque: 5 Nm  
Body Torque: 1 Nm  
Shear Strength: 1500 N



	Material		Customer Part No.	
	Finish		Web Ref No	