

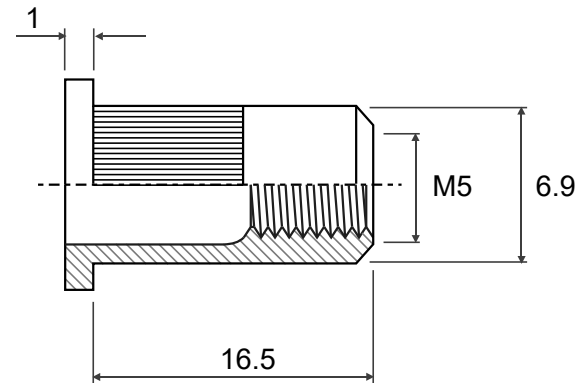
Approximate Performance in Laboratory Tests

Tensile Strength: 11500 N

Direct Torque: 8.5 Nm

Body Torque: 2 Nm

Shear Strength: 2000 N



|  |          |  |                   |  |
|--|----------|--|-------------------|--|
|  | Material |  | Customer Part No. |  |
|  | Finish   |  | Web Ref No        |  |