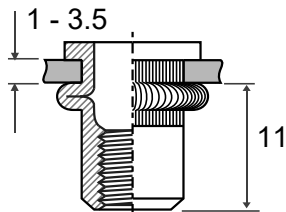
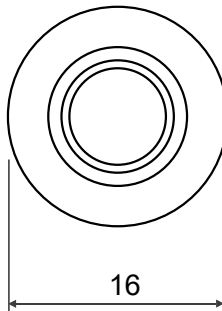


12 - 12.1



1 - 3.5

11



16

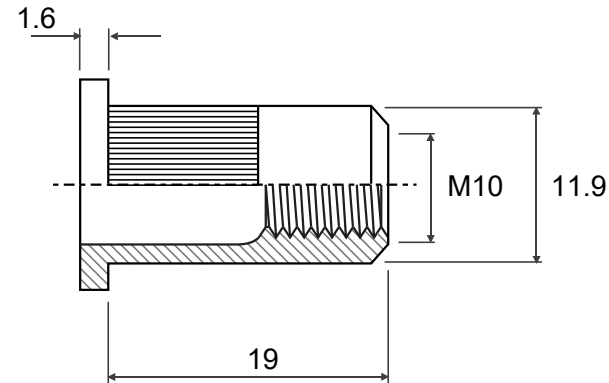
Approximate Performance in Laboratory Tests

Tensile Strength: 32000 N

Direct Torque: 50 Nm

Body Torque: 11 Nm

Shear Strength: 5000 N



1.6

M10

11.9

19

	Material		Customer Part No.	
	Finish		Web Ref No	