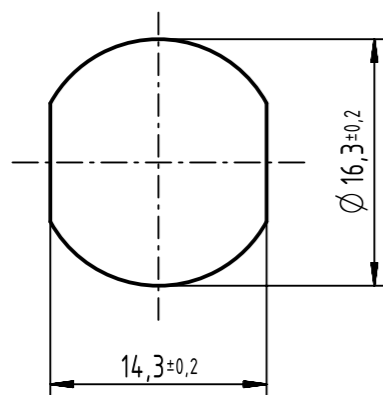
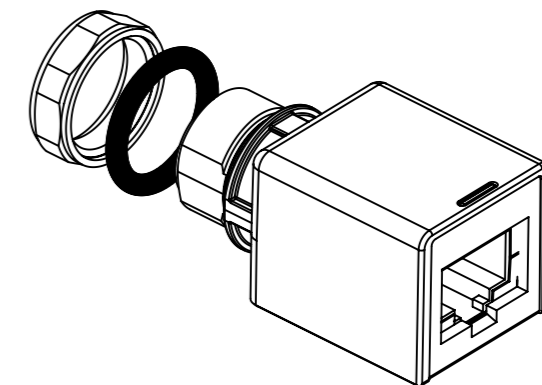
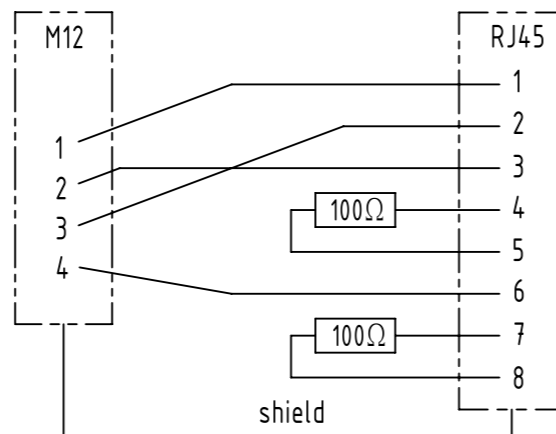


A
panel cut out



circuit diagram



	All rights reserved Department EL PD	All Dimensions in mm Original Size DIN A3		Scale 2:1	Free size tol.	Ref. Sub.
		Created by DYCKC	Inspected by HARLASS	Standardisation HOFFMANN	Date 2018-06-21	State Final Release
HARTING Electronics GmbH D-32339 Espelkamp		Title adapter M12-RJ45 straight			Doc-Key / ECM-Nr. 100513256/UGD/007/D 500000135194	
		Type TB	Number 21033812401		Rev. D	Page 1/1